

IPBD-02-D-K

IPBD-05-S-K

IPBT-105-H2-T-D-K

CC69L-2024-01-T-SP

(4.19 mm) .165"

IPBD, CC69L, CC69R, IPBT SERIES

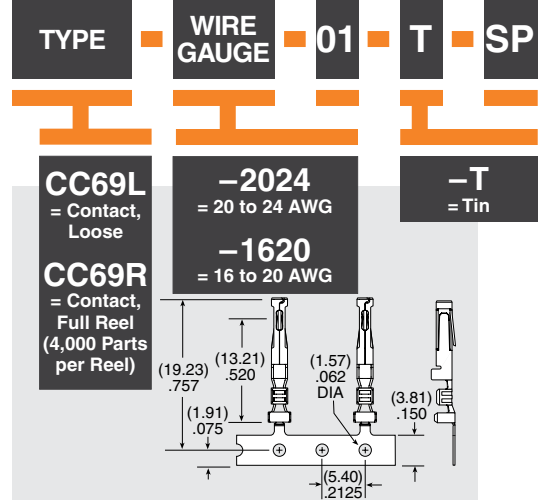
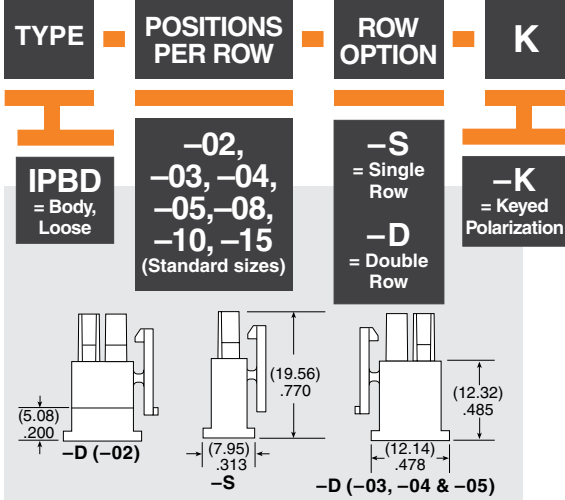
DISCRETE WIRE CABLE COMPONENTS

SPECIFICATIONS

For complete specifications
www.samtec.com?IPBD,
www.samtec.com?CC69L or
www.samtec.com?CC69R

TOOLING

- Hand tool (16-20 AWG):
CAT-HT-169-1620-13
- Hand tool (20-24 AWG):
CAT-HT-169-2024-13
- Mini Applicator
(16-20 AWG):
CAT-MA-169-1620-XX-01
- Mini Applicator
(20-24 AWG):
CAT-MA-169-2024 XX-01
- Extraction Tool:
CAT-EX-169-01



Board Mates:

IPBS

Cable Mates:

PMSD, PMSS

SPECIFICATIONS

For complete specifications
see www.samtec.com?IPBT

Insulator Material:
Black Liquid Crystal
Polymer

Contact Material:
High Copper Alloy

Plating:

Sn over 50 μ" (1.27 μm) Ni

Operating Temp Range:

-55 °C to +105 °C

Voltage Rating:

400 VAC/565 VDC

RoHS Compliant:

Yes

Lead-Free Solderable:

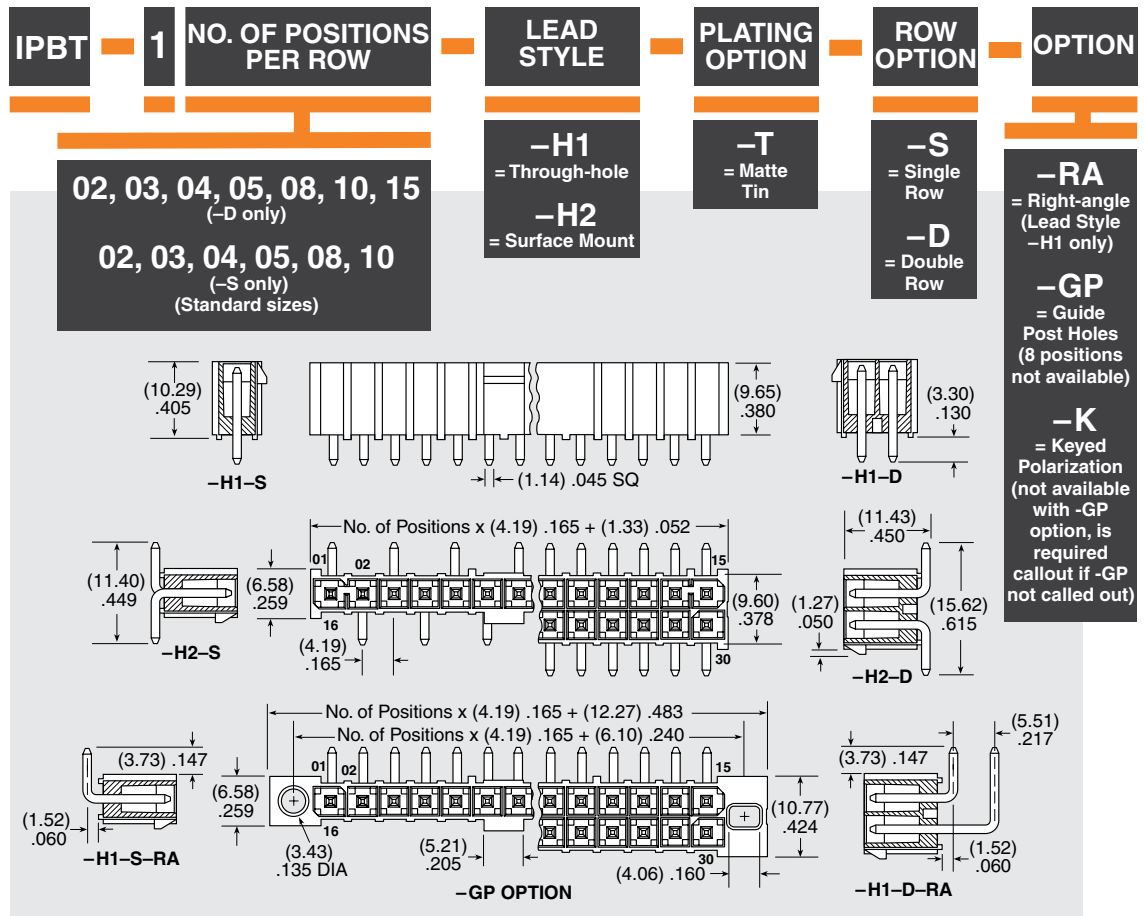
Yes

RECOGNITIONS

For complete scope
of recognitions see
www.samtec.com/quality



Note:
Some lengths, styles and
options are non-standard,
non-returnable.



Due to technical progress, all designs, specifications and components are subject to change without notice.

WWW.SAMTEC.COM

All parts within this catalog are built to Samtec's specifications.

Customer specific requirements must be approved by Samtec and identified in a Samtec customer-specific drawing to apply.