

McGILL 0090 Series Single Pole Toggle Switches

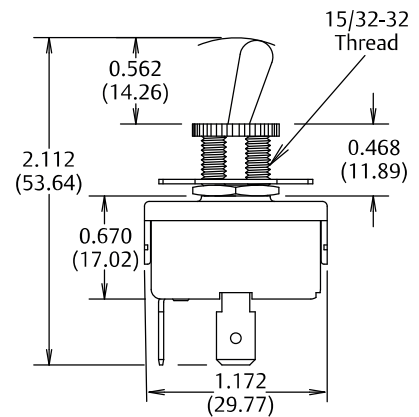
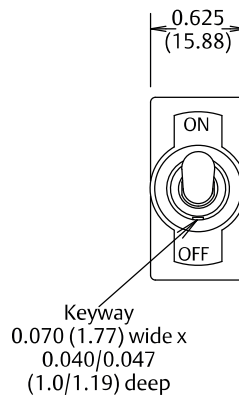


Specifications

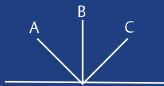
- UL recognized, CSA certified
 - 20A, 125VAC
 - 10A, 250VAC
 - 1 HP, 125-250VAC
 - 20A, 250VAC (non-inductive)
- Suitable for 20A, 12VDC applications

Construction

- .250 x .032 spade, solder and screw terminals.
- 16-gauge wire leads are also available. Consult factory for other circuits or custom designs.
- Available with rubber "O" ring to resist moisture or splashing liquids.



Approximate dimensions in inches and (millimeters).

Circuit Arrangement 			20A			
			Poles	Cat. No.		
A	B	C		Screw Terminal	Solder Terminal	.250 Spade Terminal
on	—	off	SPST	90-0001	90-0002	90-0003
on	off	on	SPDT	91-0001	91-0002	91-0003
on	—	on	SPDT	92-0001	92-0002	92-0003
(on)	off	(on)	SPDT	93-0001	93-0002	93-0003
on	off	(on)	SPDT	93-1001	93-1002	93-1003
(off)	—	on	SPST	93-2001	93-2002	93-2003
(on)	—	off	SPST	93-3001	93-3002	93-3003
on	—	(on)	SPDT	93-4001	93-4002	93-4003

() Momentary

NOTE: Mounting hardware and terminal screws (where applicable) furnished unassembled. Mounting hardware consists of one plated hex nut and knurl nut. Indicating plate is also furnished for maintained ON-OFF circuits.