

# McGILL 0852, 0862 Series Euro-Style Rocker Switches



The McGill 0852, 0862 series feature the patented Euro-design rocker and bezel for applications where aesthetics are as important as functionality. Available with a variety of circuit, termination and lamp configurations, the 0852 or 0862 series can be configured to fit almost any requirement.

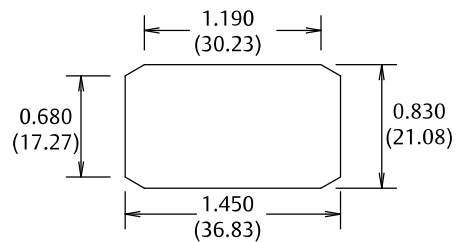
## Specifications

- UL recognized, CSA certified
  - 15A, 277VAC
  - 3/4 HP, 125-277VAC
- VDE approval available
- 125V and 250VAC neon lamps available
- 14V and 28VDC incandescent lamps available

## Construction

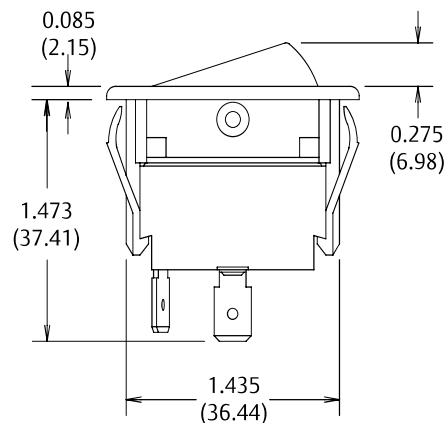
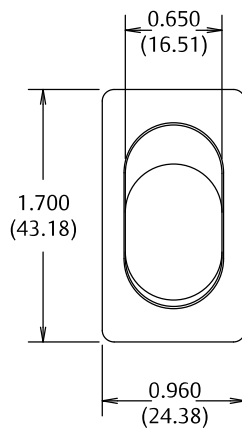
- .250 x .032 spade terminals
- .187 spade terminals, screw terminals, solder terminals and 16-gauge wire leads are also available. Consult factory for other circuits, colors or custom designs.

## Panel Opening

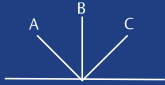


## Panel Thickness

.040 (1.02) – .187 (4.75)



*Approximate dimensions in inches and (millimeters).*

	Circuit Arrangement			Rocker/ Lens Color	Lamp Voltage	Cat. No.		
						Single Pole	Double Pole	
	A	B	C					
Unlighted Versions	on	—	off	white	—	0852-0001	0862-0001	
	on	off	on	white	—	0852-0002	0862-0002	
	on	—	on	white	—	0852-0003	0862-0003	
	(on)	—	off	white	—	0852-0004	0862-0004	
	on	—	off	black	—	0852-0011	0862-0011	
	on	off	on	black	—	0852-0012	0862-0012	
	on	—	on	black	—	0852-0013	0862-0013	
	(on)	—	off	black	—	0852-0014	0862-0014	
	on	—	off	red	—	0852-0021	0862-0021	
	on	off	on	red	—	0852-0022	0862-0022	
	on	—	on	red	—	0852-0023	0862-0023	
	(on)	—	off	red	—	0852-0024	0862-0024	
	Lighted Versions	on	—	off	white/clear	125V	0852-1101	0862-1101
		on	—	off	white/red	125V	0852-1301	0862-1301
on		—	off	white/green	125V	0852-1401	0862-1401	
on		—	off	black/clear	125V	0852-1111	0862-1111	
on		—	off	black/red	125V	0852-1311	0862-1311	
on		—	off	black/green	125V	0852-1411	0862-1411	
on		—	off	red/clear	125V	0852-1121	0862-1121	
on		—	off	red/red	125V	0852-1321	0862-1321	
on		off	on	white/clear	125V	0852-2102	0862-2102	
on		off	on	white/red	125V	0852-2302	0862-2302	
on		off	on	white/green	125V	0852-2402	0862-2402	
on		off	on	black/clear	125V	0852-2112	0862-2112	
on		off	on	black/red	125V	0852-2312	0862-2312	
on		off	on	black/green	125V	0852-2412	0862-2412	
on		off	on	red/clear	125V	0852-2122	0862-2122	
on		off	on	red/red	125V	0852-2322	0862-2322	
on		—	on	white/clear	125V	0852-2103	0862-2103	
on		—	on	white/red	125V	0852-2303	0862-2303	
on		—	on	white/green	125V	0852-2403	0862-2403	
on		—	on	black/clear	125V	0852-2113	0862-2113	
on		—	on	black/red	125V	0852-2313	0862-2313	
on		—	on	black/green	125V	0852-2413	0862-2413	
on		—	on	red/clear	125V	0852-2123	0862-2123	
on		—	on	red/red	125V	0852-2323	0862-2323	
on		—	off	black/clear	14V	0852-4111	0862-4111	
on		—	off	black/red	14V	0852-4311	0862-4311	
on		off	on	black/clear	14V	0852-4112	0862-4112	
on		off	on	black/red	14V	0852-4312	0862-4312	
on		—	off	black/clear	28V	0852-5111	0862-5111	
on		—	off	black/red	28V	0852-5311	0862-5311	
on		off	on	black/clear	28V	0852-5112	0862-5112	
on		off	on	black/red	28V	0852-5312	0862-5312	

( ) Momentary

NOTE: For single pole versions, lamp illuminates under depressed portion of actuator. For double pole versions, lamp illuminates opposite depressed portion of actuator. Independent lamps not available on DPDT versions.