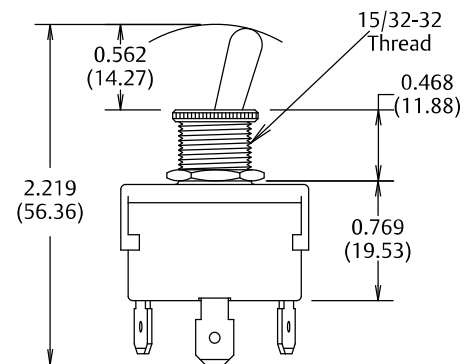
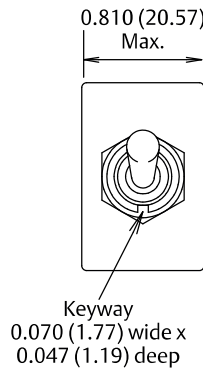


# McGILL 0121 Series Double Pole Toggle Switches



## Specifications

- UL recognized, CSA certified
  - 15A, 277VAC
  - 3/4 HP, 125-277VAC
- Suitable for 15A, 12VDC applications
- 20A Rating Applies to 0121-7000 Series
  - 20A, 277VAC
  - 1 HP, 125-277VAC



## Construction

Approximate dimensions in inches and (millimeters).

- .250 x .032 spade, solder and screw terminals.
- 16-gauge wire leads are also available. Consult factory for other circuits or custom designs.
- Available with rubber "O" ring to resist moisture or splashing liquids.

Circuit Arrangement			Poles	Cat. No.			
A	B	C		Screw Terminal	Solder Terminal	.250 Spade Terminal	
15A	on	—	off	DPST	0121-0001	0121-0017	0121-0009
	on	off	on	DPDT	0121-0002	0121-0018	0121-0010
	on	—	on	DPDT	0121-0003	0121-0019	0121-0011
	(on)	off	(on)	DPDT	0121-0004	0121-0020	0121-0012
	(on)	—	off	DPST	0121-0005	0121-0021	0121-0013
	on	—	(on)	DPDT	0121-0006	0121-0022	0121-0014
	on	off	(on)	DPDT	0121-0007	0121-0023	0121-0015
	(off)	—	on	DPST	0121-0043	0121-0045	0121-0044
20A	on	—	off	DPST	0121-7001	0121-7017	0121-7000
	on	off	on	DPDT	0121-7004	0121-7014	0121-7010
	on	—	on	DPDT	0121-7005	0121-7013	0121-7006
	(on)	off	(on)	DPDT	0121-7039	0121-7058	0121-7055
	on	off	(on)	DPDT	0121-7043	0121-7059	0121-7045
	(on)	—	off	DPST	0121-7056	0121-7060	0121-7018
	on	—	(on)	DPDT	0121-7057	0121-7061	0121-7046

( ) Momentary

NOTE: Mounting hardware and terminal screws (where applicable) furnished unassembled. Mounting hardware consists of one plated hex nut and knurl nut. Indicating plate is also furnished for maintained ON-OFF circuits.