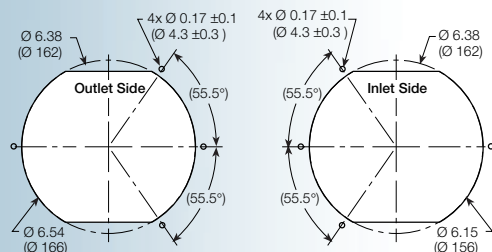
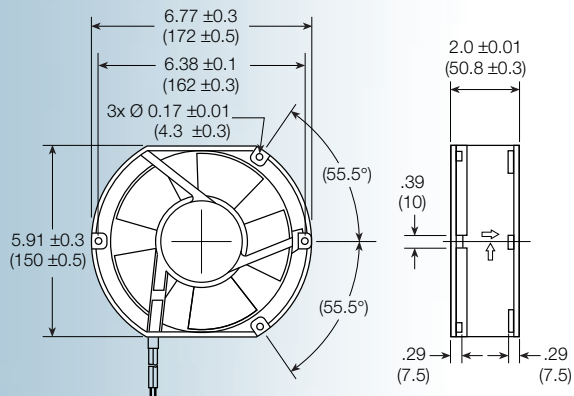


MA1751 series



**Size: (172 x 150 x 50.8 mm)
6.77 x 5.91 x 2.0 inches**

Features: *All models have locked rotor protection; 24/48 models have over current and over voltage protection and soft start function*

Construction: Die-cast aluminum frame; UL94V-0 PBT impeller

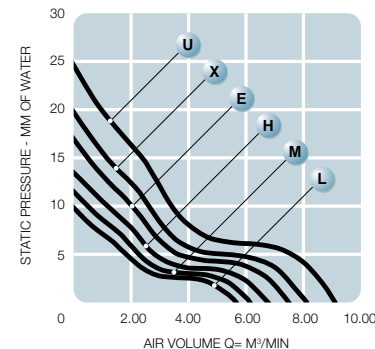
Bearing option: ball bearing

Connection: AWG 22, UL1007 lead wires

Frame: flanged, die-cast aluminum

Protection: thermal

Options: tachometer output or locked alarm signal



Model No.	Rated Voltage V	Current A			Revolution RPM	Air Volume		Max Static Pressure (H ₂ O)		Sound Noise dBA	Weight g
		12	24	48		M ³ /Min	CFM	MM	INCH		
MA1751L	12/24/48	1.10	0.48	0.25	2,400	5.81	205.1	9.83	0.39	54.5	760
MA1751M	12/24/48	1.40	0.57	0.31	2,600	6.29	222.2	11.54	0.46	56.6	760
MA1751H	12/24/48	1.80	0.77	0.38	2,850	6.89	243.6	13.86	0.55	58.4	760
MA1751E	12/24/48	2.20	0.98	0.55	3,150	7.62	269.2	16.93	0.67	61.0	760
MA1751X	24/48	-	1.20	0.73	3,400	8.23	290.6	19.73	0.78	63.0	760
MA1751U	48	-	-	0.90	3,800	9.20	324.8	24.64	0.98	66.2	760