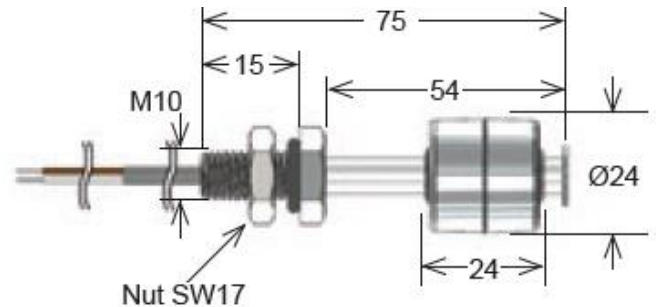


LS02-S Series Level Sensors



- Features: IP68-only up to Screw in Thread, Up to 120°C, High Power Switch Option, Cables & Connectors
- Applications: Level Control, Detection and Monitoring
- Markets: Automotive, Appliance, HVAC/R, Test & Measurement

Part-Description: **LS-02 0X00-X-000X**

| Contact QTY | Contact Form | Switch Model | Material | Cable Length (mm) | Cable Termination |
|-------------|----------------------------|--------------|-----------------|----------------------|----------------------------|
| 01 | A (SPST-NO) B (SPST-NC) | 66, 85 | Stainless Steel | 500, 1,000, 5,000 | W = Stripped and Tinned |

| Customer Options | Switch Model | | Unit |
|---|--------------|-----|------|
| | 66 | 85 | |
| Contact Data | | | |
| Rated Power (max.) <small>Any DC combination of V&A not to exceed their individual max.'s</small> | 10 | 100 | W |
| Switching Voltage (max.) <small>DC or peak AC</small> | 200 | 400 | V |
| Switching Current (max.) <small>DC or peak AC</small> | 0.5 | 1.0 | A |
| Carry Current (max.) <small>DC or peak AC</small> | 1.25 | 2.5 | A |
| Contact Resistance (max.) <small>@ 0.5V & 10mA</small> | 150 | 150 | mOhm |

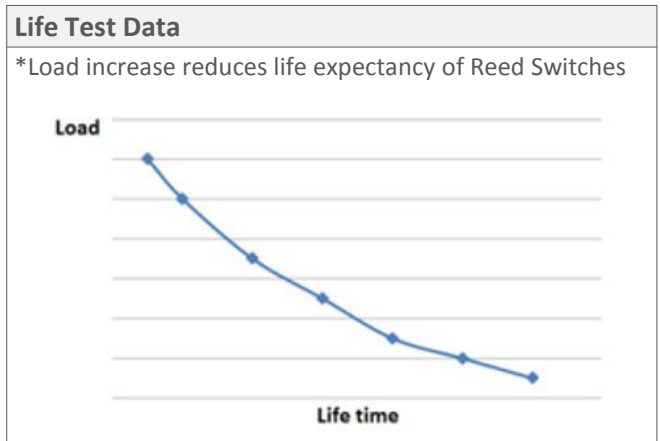
| Glossary Contact Form | | |
|-----------------------|--|--|
| Form A | NO = Normally Open Contacts SPST = Single Pole Single Throw | |
| Form B | NC = Normally Closed Contacts SPST = Single Pole Single Throw | |
| Form C | Changeover SPDT = Single Pole Double Throw | |

| Glossary Material | |
|--------------------------------------|--|
| PP: Polypropylene | For water applications and dilute acids |
| PA: Polyamide | For oil |
| NBR: Nitrile Butadiene Rubber | For oil, gasoline & in high temperatures |
| SS: Stainless Steel | For high temp. (< 160° C) |

| General Sensor Data | | |
|----------------------------------|----------------------------------|-----------------------------------|
| Materials | | |
| Stem, nut | Stainless Steel | |
| Float | Stainless Steel | |
| Seal | Nitrile Rubber | |
| Cable spec | Low voltage (Switch Model 66) | High voltage (Switch Model 85) |
| Cross Section (mm ²) | 0,14 | 0,25 |
| Cable material | PVC | |
| Packing | Bulk | |



| Environmental Data | | Unit |
|--|------------|------|
| Shock Resistance (max.) 1/2 sine wave duration 11ms | 50 | g |
| Vibration Resistance (max.) | 20 | g |
| Operating Temperature Cable not moved | -40 to 160 | °C |
| Operating Temperature Cable moved | -40 to 120 | °C |
| Storage Temperature | -20 to 100 | °C |



| Handling & Assembly Instructions |
|---|
| ➤ Max torque of screw is 1Nm |
| ➤ Cable bending-radius is diameter x 15 |
| ➤ Min. bending distance to housing is 5mm |
| ➤ Drag mark out of the mounting area forbidden |
| ➤ Decrease switching distance by mounting on iron |
| ➤ Series resistor recommended for > 5m cable length |

