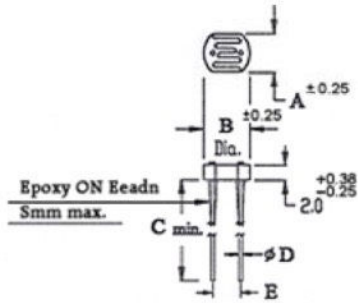


DIMENSIONAL OUTLINE(UNIT:MM)



Dim.	A	B	C	D	E
	4.1	4.9	>26	0.5	3.4

Electrical Characteristics

Item No.	Maximum Ratings			Characteristics(at 25°CXC)					
	Applied Voltage at 25°CXC (Vdc)	Allowable Power Dissipation at 25°CXC (mW)	Ambient Temperature Ta (°XC)	Cell Resistance A			C 100~101X Type	Response Time at 101x D	
				101x(at 2856k)		01xB		Rise Time Type (ms)	Decay Time Type (ms)
				Min(KΩ)	Max(KΩ)	Min(MΩ)			
90-154-0	150	90	-30~+75	4	11	0.3	0.65	60	25
90-155-0	150	90	-30~+75	9	20	0.5	0.6	60	25
90-156-0	150	90	-30~+75	16	33	1	0.8	60	25
90-157-0	150	90	-30~+75	27	60	2	0.85	60	25