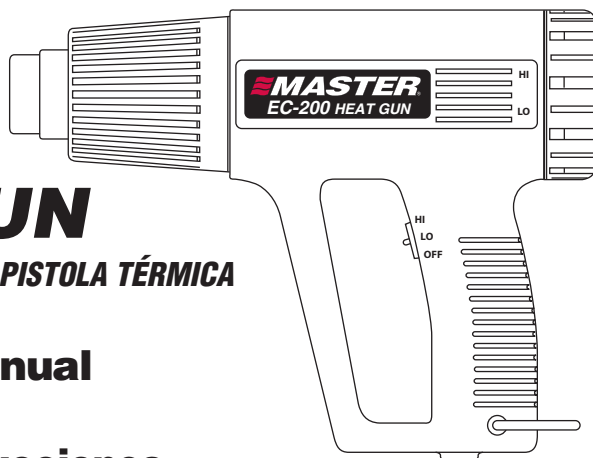


MASTER
HEAT TOOLS FOR INDUSTRY™

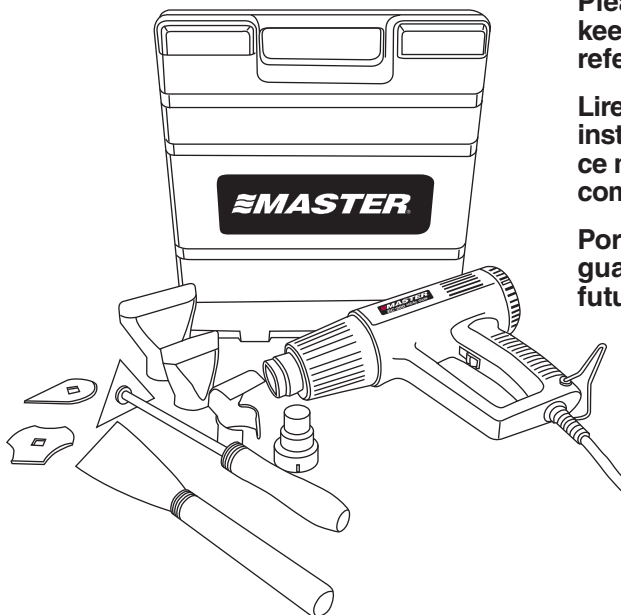
EC-200 HEAT GUN

PISTOLET THERMIQUE • PISTOLA TÉRMICA

**Instruction Manual
Mode d'emploi
Manual de instrucciones**



EC-200K HEAT GUN KIT



Please read, understand and keep this manual for future reference.

Lire et bien comprendre les instructions contenues dans ce manuel et les conserver comme référence.

Por favor lea, comprenda y guarde este manual para futura referencia.

Important Safety Instructions

The EC-200 is a lightweight, ergonomic heat gun with variable temperature settings between 110°F and 930°F. It is well-suited for a wide variety of DIY, hobbyist and homeowner projects, as well as automotive and industrial applications.

To reduce the risk of fire or explosion, electric shock or injury to persons, read and understand all instructions included in this manual. Be familiar with the controls and proper usage of equipment.




Indicates a hazardous situation, if not avoided could result in death or serious injury. Important Safety Information • Read all safety information before operating equipment. Save these instructions.

IMPORTANT SAFETY INSTRUCTION


⚠ WARNING This heat gun produces extreme high temperatures (as high as 930°F). It must be used with caution to prevent combustible materials from igniting.

- **With a heat gun, as with all other heat tools, keep a fire extinguisher handy** and observe all sensible fire precautions.
- **Keep gun in constant motion.** Do not stop or dwell in one spot.
- **Use extreme caution if the other side of the material being scraped is not accessible,** such as house siding. The hidden side could catch fire if it becomes too hot. Some buildings contain highly flammable materials behind siding, floors, facia, soffit boards and other panels. Check these areas before applying heat and do not use a heat tool if flammable materials are present or if you are unsure of the hidden material.
- **Do not use near surfaces with cracks or near metal pipes or flashing.** Heat may be conducted behind the work surface and ignite hidden material. The ignition of hidden materials may not be readily apparent and can result in property damage and injury.
- **Do not use electric tool in the presence of flammable liquids or gases.**
- **Do not use near combustible materials** such as dry grass, leaves and paper which can scorch and catch fire.
- **The nozzle becomes very hot.** Do not lay the heat gun on flammable surfaces when operating the gun or immediately after shutting the gun off. Always set the heat gun on a flat surface so that the nozzle tip is directed upward and away from the supporting surface.
- **Do not touch the nozzle** until the tool has cooled.
- **Do not use the gun as a hair dryer.**
- **Tools and paint scrapings become very hot.** To avoid burns, use work gloves when scraping.
- **Always treat the hot air units with the same respect as an open flame.**
- **Do not work in wet areas or expose the heat gun to rain.**
- **Guard against electric shock by preventing body contact with grounded surfaces** such as pipes, radiators, ranges, aluminum ladders or other grounded devices.
- **Do not abuse the electric cord.** Never carry the heat gun by the cord or yank on the cord to disconnect it from the power supply. Keep the electric cord away from heat, oil and sharp edges.
- **Use extension cord rated for outdoor use.** If an extension cord is damaged or otherwise unsuitable for use, replace it with a new cord.
- **Not intended for use by young children or infirm persons without supervision.**

- **This heat gun has a polarized plug (one blade is wider than the other).** To reduce the risk of electric shock, this plug is intended to fit in a polarized outlet only one way. If the plug does not fully fit into the outlet, reverse the plug and try again. If it still does not fit, contact a qualified electrician. Do not modify the plug in any way.
- **Disconnect heat gun from power supply when not in use.** Store indoors in a dry place and out of reach of children.
- **Keep work area well lit and clean.**
- **Do not overreach, especially when working on ladders.** Keep proper footing and balance at all times. Be certain ladders being used are sturdy, stable and on a firm surface and erected at a safe working angle.
- **Avoid power lines.**
- **Keep movable items secure and steady while scraping.**
- **Always use protective eyewear when working.**
- **If the gun stops during use or does not turn on, disconnect from power source.** Internal thermostat may be preventing heat gun from running. Allow gun to cool for 30 minutes and try again. If heat gun still does not operate, disconnect from power source and have it serviced by an authorized service personnel.
- **To reduce the risk of fire or electric shock, disconnect from power source when heat gun stops running or does not turn on.**
- **Stay alert and use common sense when operating any tools.**

 **WARNING** This product when used for soldering and similar application, can expose you to LEAD, which is known to the State of California to cause cancer and birth defects and other reproductive harm. For more information go to www.P65Warnings.ca.gov.

PERSONS REMOVING PAINT SHOULD FOLLOW THESE GUIDELINES:

 **WARNING** Extreme care should be taken when stripping paint. The peelings, residue and vapors of paint may contain lead, which is poisonous. Any paint applied before 1950 is likely to contain lead. Any paint manufactured before 1977 may contain lead. Once the paint is deposited on the surface, hand-to-mouth contact can result in the ingestion of lead. Exposure to even low levels of lead can cause irreversible brain and nervous system damage. Young and unborn children are particularly vulnerable to lead poisoning.

Before beginning any paint removal process, you should determine whether the paint you are removing contains lead. This can be done by your local health department or by a professional who uses a paint analyzer to check the lead content of the paint to be removed.

LEAD-BASED PAINT SHOULD ONLY BE REMOVED BY A PROFESSIONAL AND SHOULD NOT BE REMOVED USING A HEAT GUN.

- **Use caution when operating the hot air gun.** Keep the hot air gun moving as excessive heat will generate fumes which can be inhaled by the operator.
- **Keep food and drink out of the work area.** Wash hands, arms and face and rinse mouth before eating or drinking. Do not smoke or chew gum or tobacco in the work area.
- **Move the work piece outdoors.** If this is not possible, keep the work area well ventilated. Open the windows and put an exhaust fan in one of them. Be sure the fan is moving the air from inside to outside.
- **Remove or cover any carpets, rugs, furniture, clothing, cooking utensils and air ducts.**
- **Place drop cloths in the work area to catch any paint chips or peelings.** Wear protective clothing such as extra work shirts, overalls and hats.



Important Safety Information • Read all safety information before operating equipment. Save these instructions

Important Safety Instructions

- **Work in one room at a time.** Furnishings should be removed or placed in the center of the room and covered. Work areas should be sealed off from the rest of the dwelling by sealing doorways with drop cloths.
- **Children, pregnant or potentially pregnant women and nursing mothers should not be present in the work area until the work is done and all cleanup is complete.**
- **Wear a dust respirator or a dual filter (dust and fume) respirator mask** which has been approved by the Occupational Safety and Health Administration (OSHA), the National Institute of Safety and Health (NIOSH), or the United States Bureau of Mines. These masks and replaceable filters are readily available at major hardware stores. Be sure the mask fits. Beards and facial hair may keep masks from sealing properly. Change filters often. **DISPOSABLE PAPER MASKS ARE NOT ADEQUATE.**
- **Clean up all removed paint and dust by wet mopping the floors.** Use a wet cloth to clean all walls, sills and any other surface where paint or dust is clinging. **DO NOT SWEEP, DRY DUST OR VACUUM.** Use a high phosphate detergent or trisodium phosphate (TSP) to wash and mop areas.
- **At the end of each work session put the paint chips and debris in a double plastic bag,** close it with tape or twist ties, and dispose of properly.
- **Remove protective clothing and work shoes in the work area** to avoid carrying dust into the rest of the dwelling. Wash work clothes separately. Wipe shoes off with a wet rag that is then washed with the work clothes. Wash hair and body thoroughly with soap and water.

Stripping Paint

- 1) To strip paint, turn unit on and hold it about 1 inch from the surface being stripped. Proper distance and speed of stripping should be determined by experience. It is an advantage to hold the gun further from the surface and to move forward slowly. Slower speed is compensated by the wider softened areas. Heat will also penetrate deeper.
- 2) Outlet temperature can be regulated by the dial at the back of the heat gun. Experiment to see which setting gives the best results with the paint you are stripping.
- 3) As paint begins to blister and bubble, move gun slowly in a steady progression across the surface. Follow closely with a scraping knife (a 2-inch wall scraper works best) to scrape the loosened paint. Preheat scraper as you are heating the paint surface. This increases the speed of paint stripping.
 - a. Removal of paint by using heat is based on the fact that all organic paints soften at elevated temperatures. When soft, the paint can be easily lifted off without damage to the surface.
 - b. When stripping paint from grooves in moldings, you can devise your own scraping tools. Old screwdrivers with ground-down blades and linoleum knives are often used.
- 4) When the task is completed, move slider switch to "Off" position. This will allow heat gun to cool down and the nozzle to become cool to the touch. Disconnect from power source.



WARNING: Do not thaw plastic pipes. Do not use heat gun on surfaces that can be damaged by heat, such as vinyl siding, window and door frames. Always consider the suitability of the material being heated.

TO OPERATE HEAT GUN

1. Plug heat gun into properly rated outlet.
2. Move slider switch to Lo or Hi fan speed.
3. Rotate the adjustment dial at the back of the gun to the desired temperature setting.
4. To turn heat gun off after use, move the slider switch to the "Off" position. This will allow the heat gun to cool down and the nozzle to become cool to the touch. Disconnect from power source.



NOTICE: Users should independently evaluate the suitability of the product for their application.

⚠ WARNING This heat gun is protected by a self-resetting thermostat. If the heat gun does not run, turn switch to "off"; unplug the unit for 30 minutes to cool, allowing the thermostat to reset, then follow operating instructions to use.

For typical applications and tips please consult www.masterappliance.com.

If you have any questions regarding your specific application or use, feel free to call our Customer Service Department at 262-633-7791.

⚠ WARNING To Reduce the Risk Of Fire or Electric Shock, Do Not Expose To Rain Or Moisture. Store Indoors; Read Instruction Manual Before Using.

TROUBLESHOOTING

SYMPTOM	CAUSE	SOLUTION
Fan does not run and no heat	Unit is not plugged in	Plug in unit
	Internal thermostat has tripped	Turn switch to "Off" position, unplug from outlet, wait 30 minutes then try again. If heat gun still does not operate, disconnect from power supply and have gun serviced by authorized service personnel.
Fan only blows cool air	Temperature dial is set too low	Rotate temperature dial at back of gun



Important Safety Information • Read all safety information before operating equipment. Save these instructions

Product Warranty

ONE YEAR WARRANTY

Your EC-200 Heat Gun was carefully tested and inspected before it was shipped from the factory. We warrant this product to be free from defects in materials and workmanship under normal use and service for one year from date of purchase. In the event of a defect in materials or workmanship, we will either repair or replace, without charge, at our option, any part which in our judgment shows evidence of such defect.

This warranty does not apply to the attachments, the brush motor, or the heating element, which are items requiring periodic replacement, nor does it apply if the EC-200 Heat Gun has been misused, abused, tampered with, or altered. At the end of the warranty period, Master Appliance shall be under no further obligation expressed or implied. Some states do not allow limitations on how long an implied warranty lasts, so the above limitation may not apply to you.

Master Appliance assumes no responsibility for and this warranty shall not cover any incidental or consequential damages from any defect in this product or its use. Some states do not allow the exclusion of limitation of incidental or consequential damages, so the above exclusion may not apply to you.

This warranty gives you specific rights and you may also have other rights which may vary from state to state.

For warranty repair a proof of purchase or other appropriate proof of date is required with your return for warranty repair to Master Appliance Corp. All warranty claims must be made to Master Appliance Corp. and not the distributor. We decline responsibility where repairs have been made or attempted by others. Any different guarantee made by others is not authorized by us. If a warranty claim is to be made please return your EC-200 Heat Gun prepaid, with proof of purchase and a note describing the problem to our customer service department.

Master Appliance Corp.
2420 - 18th St.
Racine, WI 53403-2381
USA

Phone: 262-633-7791
Fax: 262-633-9745
sales@masterappliance.com
www.masterappliance.com

You may also be interested in...



MASTER HEAT GUN®
MASTER VARITEMP®
HEAT GUN



MASTER PROHEAT®
HEAT GUNS



MASTERFLOW®
HEAT BLOWER

See all of our great products at: www.masterappliance.com

Importantes consignes de sécurité

Le EC-200 est un pistolet thermique ergonomique léger avec des réglages de température variable entre 45 °C et 500 °C (110 °F et 930 °F). Il est approprié pour une large variété de bricolage, de projets d'amateurs et de propriétaires ainsi que pour des applications automobiles et industrielles.

Afin de réduire le risque d'incendie ou d'explosion, de décharge électrique ou de blessures, lire et s'assurer d'avoir bien compris toutes les instructions de ce mode d'emploi. Se familiariser avec les commandes et l'usage approprié de cet appareil.



Indique une situation dangereuse qui peut entraîner la mort ou de graves blessures. Information importante relative à la sécurité • Lire toutes les informations relatives à la sécurité avant d'utiliser l'appareil. Conserver ces consignes.


IMPORTANT RELATIF AUX CONSIGNES DE SÉCURITÉ

⚠ AVERTISSEMENT Ce pistolet thermique produit des températures extrêmement élevées (jusqu'à 500 °C [930 °F]). Il faut l'utiliser avec prudence pour empêcher les matières combustibles de s'enflammer.


- **Avec un pistolet thermique, comme avec tous les outils thermiques, avoir un extincteur à portée de main et observer toutes les mesures pratiques contre les risques d'incendie.**
- **Le pistolet doit être constamment en mouvement.** Ne pas s'arrêter ou s'attarder en un point.
- **Faire preuve d'une grande prudence si l'autre face du matériau découpé n'est pas accessible, comme le parement d'une maison.** La face cachée pourrait prendre en feu si elle devient trop chaude. Certains bâtiments contiennent des matériaux hautement inflammables derrière le parement, les planchers, les bordures d'avant-toit, les planches de soffite et d'autres panneaux. Inspecter ces surfaces avant d'appliquer de la chaleur et ne pas utiliser d'outil thermique si des matériaux inflammables sont présents ou si la composition du matériau caché est inconnue.
- **Ne pas utiliser le pistolet près de surfaces présentant des fissures ou près de tuyaux métalliques ou de bandes de recouvrement.** La chaleur peut s'introduire sous la surface de travail et enflammer le matériau caché. L'inflammation des matériaux cachés pourrait ne pas être immédiatement apparente et peut entraîner des dommages matériels et des blessures.
- **Ne pas utiliser l'outil électrique en présence de liquide ou de gaz inflammable.**
- **Ne pas utiliser de matériaux combustibles** comme de l'herbe sèche, des feuilles et du papier qui peuvent se mettre à brûler et prendre en flamme.
- **La buse devient très chaude.** Ne pas déposer le pistolet thermique sur des surfaces inflammables immédiatement après l'avoir éteint. Toujours poser le pistolet thermique sur une surface plate afin que l'extrémité de la buse soit dirigée vers le haut.
- **Ne pas toucher la buse avant que l'outil soit froid.**
- **Ne pas utiliser le pistolet comme sèche-cheveux.**
- **Les outils et les restes de décapage peuvent devenir très chauds.** Pour éviter les brûlures, porter des gants lors du décapage.
- **Agir avec la même prudence avec les appareils à air chaud qu'avec une flamme nue.**
- **Ne pas travailler dans des zones humides ou exposer le pistolet thermique à la pluie.**
- **Se protéger des décharges électriques en empêchant le contact du corps avec des surfaces mises à la terre** comme des tuyaux, des radiateurs, des cuisinières, des échelles en aluminium d'autres appareils mis à la terre.
- **Ne pas endommager le cordon électrique.** Ne jamais transporter le pistolet thermique par le cordon ni tirer sur le cordon pour le débrancher de la prise électrique. Tenir le cordon électrique à l'écart de la chaleur, de l'huile et des arêtes vives.
- **Utiliser un cordon prolongateur calibré pour usage extérieur.** Si une rallonge est endommagée ou inappropriée, la remplacer par un nouveau cordon.
- **Il n'est pas destiné à être utilisé par de jeunes enfants ou des personnes infirmes sans supervision.**

Importantes consignes de sécurité

- **Le pistolet thermique à une fiche polarisée (une des lames est plus large que l'autre).** Pour réduire le risque de décharge électrique, cette fiche est destinée à s'insérer dans une prise polarisée d'une seule façon. Si la fiche ne s'insère pas dans la prise, l'inverser et essayer de nouveau. Si elle ne se branche toujours pas, communiquer avec un électricien qualifié. Ne modifier la fiche en aucune manière.
- **Débrancher le pistolet thermique de la prise électrique lorsqu'il ne sert pas.** L'entreposer à l'intérieur dans un endroit sec hors de portée des enfants.
- **L'aire de travail doit être bien éclairée et propre.**
- **Ne pas travailler hors de portée, en particulier en travaillant sur une échelle.** Toujours se tenir bien campé et en équilibre. Veiller à ce que les échelles soient solides, stables, sur une surface ferme, et montées avec un angle sécuritaire pour travailler.
- **Éviter les lignes électriques.**
- **Les objets mobiles doivent être bien fixés et stables lors du grattage.**
- **Toujours porter des lunettes de sécurité en travaillant.**
- **Si le pistolet s'arrête durant l'usage ou ne se met pas en marche, le débrancher.** Le thermostat interne peut empêcher le pistolet thermique de fonctionner. Laisser le pistolet refroidir pendant 30 minutes et essayer de nouveau. Si le pistolet ne fonctionne toujours pas, le débrancher et le faire réparer par un personnel d'entretien autorisé.
- **Pour réduire le risque d'incendie ou de décharge électrique, débrancher le pistolet lorsqu'il arrête de fonctionner ou ne se met pas en marche.**
- **Demeurer vigilant et faire preuve de bon sens lors de l'utilisation d'outils.**

 **AVERTISSEMENT** Si cet appareil est utilisé pour souder ou pour une utilisation semblable, il peut vous exposer au PLOMB, reconnu dans l'État de Californie comme cause de cancer, de malformations congénitales ou d'autres anomalies de la reproduction. Pour de plus amples informations, aller à www.P65Warnings.ca.gov.

LES PERSONNES DÉCAPANT DE LA PEINTURE DOIVENT SUIVRE SES DIRECTIVES :

 **AVERTISSEMENT** il faut faire très attention lors du décapage. Les restes de décapage, les résidus et les vapeurs de peinture peuvent contenir du plomb qui est toxique. Toute peinture appliquée avant 1950 contient probablement du plomb. Toute peinture fabriquée avant 1977 pourrait contenir du plomb. Une fois que la peinture est déposée à la surface, un contact entre la main et la bouche peut entraîner une ingestion de plomb. Une exposition même à de faibles niveaux de plomb peut causer des dommages irréversibles au cerveau et au système nerveux. Les enfants et les à naître sont particulièrement vulnérables à l'empoisonnement par le plomb.

Avant de commencer à décapier, il faut déterminer si la peinture contient du plomb. Votre service de santé local ou un professionnel utilisant un analyseur de peinture peut vérifier si la peinture à décapier contient du plomb. **UNE PEINTURE À BASE DE PLOMB DOIT SEULEMENT ÊTRE DÉCAPÉE PAR UN PROFESSIONNEL SANS UTILISER DE PISTOLET THERMIQUE.**

- **Faire preuve de prudence lors de l'utilisation d'un pistolet thermique.** Garder le pistolet thermique en mouvement, car la chaleur excessive génère des vapeurs qui peuvent être inhalées.
- **Conserver les aliments et boissons hors de l'aire de travail.** Se laver les mains, les bras et le visage et se rincer la bouche avant de manger ou de boire. Ne pas fumer ni mâcher de la gomme ou du tabac dans l'aire de travail.
- **Déplacer les pièces à travailler à l'extérieur. Si c'est impossible, bien aérer l'aire de travail.** Ouvrir les fenêtres et mettre un ventilateur aspirant dans l'une d'elles. S'assurer que le ventilateur déplace l'air de l'intérieur vers l'extérieur.
- **Retirer ou couvrir les tapis, les carpettes, le mobilier, les vêtements, les ustensiles de cuisine et les conduits d'air.**



Information importante relative à la sécurité • Lire toutes les informations relatives à la sécurité avant d'utiliser l'appareil. Conserver ces consignes.

- **Placer des toiles de protection dans l'aire de travail pour retenir tous les éclats et les restes de décapage.** Porter des vêtements protecteurs comme des chemises de travail, des combinaisons et des chapeaux.
- **Travailler dans une pièce à la fois. Les meubles doivent être retirés ou placés au centre de la pièce et recouverts.** Les entrées de porte doivent être scellées à l'aide de toiles de protection pour séparer les aires de travail du reste du logement.
- **Les enfants, les femmes enceintes ou susceptibles de l'être et les mères allaitantes ne doivent pas être présents dans l'aire de travail avant la fin du travail et du nettoyage.**
- **Porter un masque antipoussières ou un masque à double filtration (poussières et vapeurs)** approuvé par l'administration américaine de la sécurité et de la santé au travail (OSHA), l'institut national de la santé et de la sécurité au travail des États-Unis(NIOSH) ou le bureau des mines des États-Unis. Ces masques et les filtres de rechange sont offerts dans les principales quincailleries. S'assurer que le masque est bien ajusté. Les barbes et les poils du visage peuvent empêcher les masques d'être étanches. Changer souvent les filtres. **LES MASQUES EN PAPIER JETABLE NE SONT PAS APPROPRIÉS.**
- **Nettoyer tous les restes de décapage et dépoussiérer les planchers à l'aide d'une vadrouille humide.** À l'aide d'un linge humide, nettoyer tous les murs, les seuils et toute autre surface où la peinture ou la poussière ont adhéré. **Ne pas balayer à sec ni passer l'aspirateur.** À l'aide d'un détergent à haute teneur en phosphate ou de phosphate trisodique (PTS), laver et passer une vadrouille sur les surfaces.
- **À la fin de chaque séance de travail, mettre les éclats et les débris de peinture dans un sac de plastique double,** le fermer avec un ruban ou des ligatures et en disposer de façon appropriée.

⚠ AVERTISSEMENT : Ne pas faire fondre des tuyaux plastiques. Ne pas utiliser le pistolet sur des surfaces qui peuvent être endommagées par la chaleur comme du parement, des cadres de fenêtres et de portes en vinyle. Toujours tenir compte du caractère convenable du matériau chauffé.

- **Retirer les vêtements protecteurs et les chaussures de travail dans l'aire de travail** pour éviter de transporter de la poussière dans le reste du logement. Laver les vêtements de travail séparément. Essuyer les chaussures avec un chiffon humide qui sera ensuite lavé avec les vêtements de travail. Bien se laver les cheveux et le corps avec de l'eau savonneuse.

Décapage

- 1) Pour décapier une surface peinte, allumez l'appareil et tenez-le à environ 25 mm (1 po) de la surface à décapier. L'expérience vous aidera à déterminer la distance et la vitesse de décapage adéquates. Il est préférable de maintenir le pistolet à une certaine distance de la surface et de l'en approcher lentement. Le ralentissement de la vitesse sera compensé par la largeur accrue de la surface ramollie. La chaleur pénétrera également plus en profondeur.
- 2) La température de sortie peut être réglée à l'aide du cadran à l'arrière du pistolet. Essayer le pistolet pour voir quels réglages donnent les meilleurs résultats pour décapier la peinture.
- 3) Lorsque la peinture commence à se boursouffler et à former des bulles, déplacez lentement et uniformément le pistolet par-dessus la surface, et commencez immédiatement à décapier avec un grattoir (un grattoir de 50 mm (2") assure les meilleurs résultats) pour éliminer la peinture décollée. Préchauffez le grattoir tout en chauffant la surface peinte pour accélérer le décapage.
 - a. Le décapage à l'air chaud est rendu possible grâce au ramollissement des peintures organiques sous l'effet de températures élevées. Une fois ramollie, la peinture peut être aisément soulevée, sans abîmer la surface qu'elle recouvrait.
 - b. Pour décapier les rainures de moulures, vous pouvez créer vos propres grattoirs. Les vieux tournevis à tête émoulee et les couteaux à linoléum sont souvent utiles.
- 4) Lorsque la tâche est terminée, déplacer l'interrupteur coulissant à « Off ». Cela permet au pistolet thermique de refroidir et à la buse de devenir froide au toucher. Débrancher le pistolet.

POUR UTILISER LE PISTOLET THERMIQUE :

1. Brancher le pistolet dans une prise de courant appropriée.
2. Déplacer l'interrupteur coulissant à la vitesse Lo ou Hi (lente ou rapide) du ventilateur.
3. Tourner le cadran d'ajustement à l'arrière du pistolet au réglage de température désiré.
4. Pour éteindre le pistolet thermique après usage, mettre l'interrupteur coulissant en position « Off ». Cela permet au pistolet thermique de refroidir et à la buse de devenir froide au toucher. Débrancher le pistolet.



AVIS Les usagers devront évaluer séparément l'adéquation de l'appareil à l'usage auquel ils le destinent.

⚠ AVERTISSEMENT Un thermostat à réinitialisation automatique protège ce pistolet thermique. Si le pistolet ne fonctionne pas, mettre l'interrupteur à « off », le débrancher pendant 30 minutes pour le laisser refroidir permettant au thermostat de se réinitialiser, puis observer les instructions d'utilisation.

⚠ AVERTISSEMENT Afin de réduire le risque d'incendie ou de décharge électrique, ne pas exposer le pistolet à la pluie ou l'humidité. Le ranger à l'intérieur; lire le mode d'emploi avant utilisation.

Pour des applications typiques et des conseils, consulter le site www.masterappliance.com.

Si vous avez des questions relatives à votre application ou usage spécifique, n'hésitez pas à appeler notre service à la clientèle au +1-262-633-7791.

DÉPANNAGE :

SYMPTÔME	CAUSE	SOLUTION
Le ventilateur ne fonctionne pas, aucune chaleur	L'appareil n'est pas branché	Brancher l'appareil
	Le thermostat interne s'est déclenché	Mettre l'interrupteur à « Off », débrancher le pistolet de la prise, attendre 30 minutes et essayer de nouveau. S'il ne fonctionne toujours pas, débrancher le pistolet et le faire réparer par un personnel d'entretien autorisé.
Le ventilateur souffle seulement de l'air froid	Le cadran de température est réglé trop bas	Tourner le cadran de température à l'arrière du pistolet



Information importante relative à la sécurité • Lire toutes les informations relatives à la sécurité avant d'utiliser l'appareil. Conserver ces consignes.

Garantie d'un an

GARANTIE LIMITÉE UN AN

Votre pistolet à air chaud EC-200 a été soigneusement testé et inspecté avant de quitter l'usine. Il est garanti contre tout défaut de matériel ou de fabrication révélés dans des conditions d'usage et d'entretien normales pendant une période d'un an à compter de la date d'achat de l'appareil. En cas de défaut de matériel ou de fabrication, nous réparerons ou remplacerons gratuitement, à notre gré, toute pièce qui, d'après notre jugement, présente un tel défaut.

Cette garantie ne couvre ni les accessoires, ni le moteur (électrique) à balais, ni l'élément thermique, qui sont des articles nécessitant un remplacement périodique. Elle ne sera pas non plus applicable en cas d'usage inadéquat ou abusif, de modification ou de manipulation. Au terme de la période de garantie, la société Master Application Corp. ne sera plus tenue par aucune obligation de garantie, expresse ou tacite. Certaines provinces interdisent de limiter la durée d'une garantie implicite, de sorte que la limitation ci-dessus ne s'applique peut-être pas à votre cas.

Master Appliance décline toute responsabilité pour, et cette garantie ne couvre aucun dommage fortuit ou consécutif dû à un défaut de ce produit ou à son utilisation. Certaines provinces interdisent l'exclusion ou la limitation des dommages fortuits ou consécutifs; il est donc possible que l'exclusion ci-dessus ne s'applique pas à votre cas.

La présente garantie vous assure le bénéfice de droits précis, éventuellement complétés par d'autres, suivant la législation provinciale applicable.

Réparation aux termes de la garantie: Un reçu ou toute preuve d'achat datée appropriée est exigée pour le renvoi de votre appareil à Master Appliance. Toute réclamation aux termes de la garantie doit être adressée à Master Appliance et non au concessionnaire. Nous déclinons toute responsabilité pour les réparations ou tentatives de réparation exécutées par des tiers. Nous n'autorisons aucune garantie différente offerte par des tiers. En cas de réclamation aux termes de la garantie, veuillez renvoyer votre outil EC-200 en port payé, accompagné d'une preuve d'achat et d'une note décrivant le problème rencontré à notre Département Entretien. Voir ci-dessous.

Master Appliance Corp.
2420 18th Street
Racine, WI 53403-2381
U.S.A.

Téléphone : 262-633-7791
Télécopieur : 262-633-9745
sales@masterappliance.com
www.masterappliance.com



MASTER HEAT GUN®
MASTER VARITEMP®
HEAT GUN



MASTER PROHEAT®
HEAT GUNS



MASTERFLOW®
HEAT BLOWER

www.masterappliance.com

Instrucciones importantes de seguridad

La pistola térmica EC-200 es una pistola térmica ligera y ergonómica con ajuste de temperatura variable entre 110°F y 930°F. Es adecuada para una amplia variedad de proyectos que puede hacer usted mismo, como aficionado y propietario de vivienda, así como para aplicaciones automotrices e industriales.

Para reducir el riesgo de fuego o explosión, choque eléctrico o lesiones es importante que lea y entienda todas las instrucciones contenidas en este manual. Familiarícese con los controles y el uso adecuado del equipo.




Indica una situación peligrosa; si no se evita podría resultar en muerte o lesión grave. Información importante de seguridad • Lea toda la información de seguridad antes de operar el equipo. Conserve estas instrucciones.

SOBRE LAS INSTRUCCIONES IMPORTANTES DE SEGURIDAD


⚠ ADVERTENCIA Esta pistola de calor produce temperaturas de calor extremo (hasta 930°F). Debe ser utilizada con precaución para prevenir la ignición de materiales combustibles.

- **Con la pistola de calor, así como con otras herramientas térmicas, mantenga los extintores a la mano** y siga todas las precauciones para evitar un incendio.
- **Mantenga la pistola en constante movimiento.** No se detenga o permanezca en un mismo sitio.
- **Sea extremadamente cuidadoso si el otro lado del material que está raspando no es accesible, como el revestimiento de una casa.** El lado oculto puede incendiarse si se calienta mucho. Algunos edificios contienen materiales altamente inflamables detrás de los revestimientos, pisos, impostas, paneles de soffits y otros paneles. Revise estas áreas antes de aplicar el calor y no use una herramienta térmica si hay materiales inflamables presentes o si no está seguro del material oculto.
- **No la utilice cerca de superficies con grietas o cerca de tuberías de metal o vierteaguas.** El calor puede ser conducido detrás de la superficie de trabajo y prender el material oculto. La ignición de los materiales ocultos puede no ser fácilmente aparente y puede causar daño a la propiedad y lesiones.
- **No use la herramienta eléctrica en presencia de líquidos o gases inflamables.**
- **No la utilice cerca de materiales combustibles, como hierba seca,** hojas y papel que puedan quemarse e incendiarse.
- **La boquilla se calienta mucho.** No deje la pistola de calor en superficies inflamables al operarla o inmediatamente después de apagarla. Siempre coloque la pistola de calor sobre una superficie plana para que la punta de la boquilla quede hacia arriba y alejada de la superficie.
- **No toque la boquilla hasta que la pistola se haya enfriado.**
- **No utilice la pistola como secadora de cabello.**
- **Las herramientas para raspar pintura se calientan mucho.** Para evitar quemaduras utilice guantes.
- **Siempre trate las unidades de aire caliente con el mismo respeto con el que trata una flama abierta.**
- **No trabaje en áreas húmedas ni exponga la pistola de calor a la lluvia.**
- **Protéjase contra descargas eléctricas al evitar el contacto del cuerpo con superficies conectadas a tierra,** como tuberías, radiadores, estufas, escaleras de aluminio u otros dispositivos.
- **No maltrate el cable eléctrico.** Nunca transporte la pistola de calor por el cable ni tire de éste para desconectarlo de la fuente de alimentación. Mantenga el cable eléctrico alejado del calor, aceite y bordes afilados.
- **Utilice una extensión para uso en exteriores.** Si la extensión está dañada o no es apta para usarse por otra razón reemplácela con una nueva.
- **No está destinada a ser utilizada por niños pequeños o personas enfermas sin supervisión.**

- **Esta pistola térmica tiene un enchufe polarizado (una clavija es más ancha que la otra).** Este enchufe está diseñado para entrar en un contacto polarizado de una manera única, lo que reduce el riesgo de descarga eléctrica. Si el enchufe no entra correctamente en el contacto, dele vuelta e inténtelo de nuevo. Si aún así no entra, contacte a un electricista calificado. No modifique el enchufe de ninguna manera.
- **Desconecte la pistola térmica del suministro de energía cuando no esté en uso.** Almacene en interiores en un lugar seco y lejos del alcance de los niños.
- **Mantenga su área de trabajo bien iluminada y limpia.**
- **No la jale demasiado, especialmente al trabajar en escaleras. Mantenga la postura y el equilibrio en todo momento.** Asegúrese de que la escalera que está usando sea resistente, estable, que se encuentre en una superficie firme y que esté erguida en ángulos de trabajo seguros.
- **Evite líneas eléctricas.**
- **Mantenga los artículos móviles seguros y firmes mientras raspa.**
- **Al trabajar siempre utilice protección visual.**
- **Si la pistola se detiene durante su uso o no enciende, desconéctela de la fuente de energía.** Puede que el termostato interno no permita que la pistola térmica funcione. Deje que la pistola se enfríe por 30 minutos e inténtelo nuevamente. Si la pistola térmica aún no funciona, desconéctela de la fuente de energía y haga que la revise personal de servicio autorizado.
- **Para reducir el riesgo de incendio o descarga eléctrica, desconéctela de la fuente de energía cuando deje de funcionar o no encienda.**

 **ADVERTENCIA** Este producto, cuando se usa para soldadura y aplicaciones similares, puede exponerlo a PLOMO, el cual de acuerdo con el estado de California puede causar cáncer y defectos de nacimiento y otros daños reproductivos. Para más información visite www.P65Warnings.ca.gov.

LAS PERSONAS QUE REMUEVEN PINTURA DEBEN SERGUIR ESTOS LINEAMIENTOS:

 **ADVERTENCIA** Se debe tener extrema precaución al quitar la pintura. La pintura raspada, residuos y vapores de pintura pueden contener plomo, que es venenoso. Es probable que la pintura aplicada antes de 1950 contenga plomo; es también probable que la pintura fabricada antes de 1977 contenga plomo. Una vez depositada la pintura en la superficie, el contacto de mano a boca puede causar la ingestión de plomo. La exposición incluso a bajos niveles de plomo puede causar daño cerebral y nervioso irreversible. Los niños pequeños y bebés que aún no han nacido son particularmente vulnerables al envenenamiento por plomo.

Antes de comenzar a remover la pintura, asegúrese de determinar si la pintura contiene plomo. Esto puede hacerlo su departamento de salud local o cualquier profesional que utilice un analizador de pintura para revisar el contenido de plomo en la pintura a ser removida. **SOLAMENTE UN PROFESIONAL PUEDE QUITAR LA PINTURA CON BASE DE PLOMO Y NO DEBE HACERSE CON PISTOLA DE CALOR.**


- **Manténgase alerta y use el sentido común al operar la herramienta.**
- **Tenga cuidado al operar la pistola de aire caliente.** Manténgala en movimiento ya que el calor generará humos, los cuales pueden ser inhalados por el operador.
- **Mantenga los alimentos y bebidas lejos del área de trabajo.** Lávese las manos, los brazos y la cara, y enjuáguese la boca antes de comer o beber algo. No fume ni mastique goma de mascar o tabaco en el área de trabajo.
- **Mueva la pieza de trabajo al exterior.** Si no es posible, mantenga el área de trabajo bien ventilada. Abra las ventanas y coloque un extractor en una de ellas. Asegúrese de que el ventilador mueva el aire de adentro hacia afuera.
- **Quite cualquier alfombra, tapete, mueble, ropa, utensilios de cocina y ductos de aire.**



Información importante de seguridad • Lea toda la información de seguridad antes de operar el equipo. Conserve estas instrucciones

Instrucciones importantes de seguridad

- **Coloque trapos para tapar el área de trabajo y que ahí caiga la pintura que está siendo removida.** Utilice ropa protectora como camisas de trabajo, overol y casco.
- **Trabaje una habitación a la vez. Los muebles deben ser retirados del lugar o deben cubrirse y colocarse en el centro del cuarto.** Las áreas de trabajo deben estar aisladas del resto de la vivienda sellando las puertas con trapos o telas.
- **Los niños, las mujeres embarazadas o probablemente embarazadas y las madres lactantes no deben estar presentes en el área de trabajo hasta que el trabajo haya finalizado y se haya limpiado el lugar.**
- **Use un respirador contra el polvo o una máscara de doble filtro (polvo y humo) que haya sido aprobada** por la Administración de Seguridad y Salud Ocupacional (OSHA), el Instituto Nacional para la Seguridad y Salud Ocupacional (NIOSH) o la Oficina de Minas de los Estados Unidos. Estas máscaras y los filtros reemplazables están disponibles en las principales ferreterías. Asegúrese de que le quede la máscara. La barba y el vello facial pueden hacer que la máscara no selle adecuadamente. Cambie los filtros con frecuencia. **LAS MÁSCARAS DE PAPEL DESECHABLES NO SON ADECUADAS.**
- **Limpie la pintura removida y el polvo trapeando el piso.** Use un trapo húmedo para limpiar todas las paredes, alféizares y cualquier otra superficie donde se pueda adherir pintura o polvo. **NO BARRA, LIMPIE EN SECO O ASPIRE.** Utilice un detergente alto en fosfato o fosfato trisódico para lavar y trapear las áreas.
- **Al finalizar cada sesión de trabajo coloque los restos de pintura y desechos en una bolsa de plástico doble, ciérrela con cinta o amárrela con los lazos y tirela adecuadamente.**
- **Retírese la ropa protectora y los zapatos de trabajo en el área para evitar sacar el polvo al resto del sitio.** Lave las ropas de trabajo

 **ADVERTENCIA:** No descongele ductos de plástico. No use la pistola térmica en superficies que puedan dañarse con el calor, como los revestimientos de vinilo o los marcos de ventanas y puertas. Siempre considere la idoneidad del material que está siendo calentado.

por separado. Pase un trapo húmedo por los zapatos para limpiarlos y lávelo junto con la ropa de trabajo. Lave bien su cabello y cuerpo con agua y jabón.

Forma de remover la pintura

- 1) Para remover pintura vieja, active la unidad y sosténgala aproximadamente a 25 mm (1 pulg) de la superficie a limpiarse. La experiencia le ayudará a determinar la distancia y velocidad adecuadas. Es ventajoso sostener la pistola a una cierta distancia de la superficie y acercársela lentamente. La velocidad más lenta será compensada por la amplitud de las áreas ablandadas. Igualmente, el calor tendrá mayor penetración.
- 2) La temperatura de salida puede regularse mediante el dial en la parte posterior de la pistola térmica. Haga pruebas para ver qué configuración le da los mejores resultados con la pintura que está quitando.
- 3) A medida que la pintura comienza a ampollarse y formar burbujas, mueva lentamente la pistola avanzando sobre la superficie con uniformidad y comience inmediatamente a remover pintura con una cuchilla de raspar (una espátula de 50 mm (2 pulg) asegura los mejores resultados) para remover la pintura aflojada. Precaliente la espátula a medida que calienta la superficie pintada para acelerar la remoción de la pintura.
 - a. La remoción de pintura mediante el uso de calor se basa en el hecho de que todas las pinturas orgánicas se ablandan a temperaturas elevadas. Una vez ablandada, la pintura se puede remover fácilmente sin dañar la superficie.
 - b. Al remover pintura de las ranuras de molduras, usted puede improvisar su propia herramienta raspadora. Son de uso frecuente los viejos destornilladores con láminas esmeriladas a la medida necesaria y las cuchillas para cortar linóleo.
- 4) Al terminar la tarea mueva el interruptor a la posición de "Off" (apagado). Esto le va a permitir a la pistola térmica enfriarse y que la boquilla esté fría al tacto. Desconecte de la fuente de energía.

PARA OPERAR LA PISTOLA TÉRMICA

1. Conecte la pistola térmica en un contacto adecuado.
2. Mueva el interruptor hacia la velocidad del ventilador deseada: Lo (baja), Hi (alta).
3. Gire el dial de la parte posterior de la pistola a la temperatura deseada.
4. Para apagar la pistola térmica después de usarla, mueva el interruptor hacia la posición de "Off" (apagado). Esto le va a permitir a la pistola térmica enfriarse y que la boquilla esté fría al tacto. Desconecte de la fuente de energía.



AVISO: Los usuarios deben evaluar independientemente la idoneidad del producto para su aplicación.

⚠ ADVERTENCIA Esta pistola térmica está protegida por un termostato autoreseteable. Si la pistola de calor no funciona, gire el interruptor a "apagado", desconecte la unidad durante 30 minutos para que se enfríe, permitiendo que se reinicie el termostato, luego siga las instrucciones de operación para poder usarla.

Por favor consulte www.masterappliance.com para conocer sobre las aplicaciones típicas y obtener consejos.

Si tiene alguna pregunta sobre su aplicación o uso específico, no dude en llamar a nuestro Departamento de Servicio al Cliente al 262-633-7791.

⚠ ADVERTENCIA Para reducir el riesgo de incendio o descarga eléctrica, no la exponga a lluvia o humedad. Almacene en interiores; lea el manual de instrucciones antes de utilizarla.

RESOLUCIÓN DE PROBLEMAS:

SÍNTOMA	CAUSA	SOLUCIÓN
El ventilador no funciona y no calienta	La unidad no está conectada	Conecte la unidad
	Se disparó el termostato interno	Mueva el interruptor a la posición de "apagado", desconecte la pistola del contacto, espere 30 minutos y vuelva a intentarlo. Si la pistola térmica aún no funciona, desconéctela de la fuente de energía y haga que la revise personal de servicio autorizado.
El ventilador solo echa aire frío	El dial de temperatura está en baja	Mueva el dial de temperatura en la parte posterior de la pistola.



Información importante de seguridad • Lea toda la información de seguridad antes de operar el equipo. Conserve estas instrucciones

Garantía del producto

GARANTÍA POR UN AÑO

Su EC-200 Heat Gun fue cuidadosamente probada e inspeccionada antes de salir de la fábrica. Garantizamos que este producto está libre de defectos tanto en materiales como en fabricación bajo condiciones de uso y servicio normales durante un año a partir de la fecha de compra. En caso de que aparezca un defecto en materiales o fabricación, repararemos o reemplazaremos, sin cargo y a nuestra opción, cualquier pieza que a nuestro juicio muestre señales de tal defecto.

Esta garantía no es válida para los aditamentos, el motor eléctrico de escobillas o el elemento calefactor, los cuales son piezas que requieren su reemplazo periódico; tampoco es válida si la EC-200 Heat Gun ha recibido mal trato, abuso, alteraciones o modificaciones. Al final del período de garantía, Master Appliance no tendrá obligaciones de garantía adicionales, ni expresas ni implícitas. Algunos estados no permiten limitaciones en la duración de una garantía implícita, de manera que la limitación anterior puede que no afecte su caso.

Master Appliance no asume responsabilidad de, ni esta garantía cubre, ningún daño incidental o emergente de cualquier defecto en este producto o en su uso. Algunos estados no permiten la exclusión o limitación de daños incidentales o emergentes, de manera que la exclusión anterior puede que no afecte su caso.

Esta garantía le da derechos legales específicos, y usted podría tener otros derechos según la legislación regional aplicable.

Para reparaciones por garantía se requiere un recibo de prueba de compra u otra prueba adecuada indicativa de la fecha de compra que debe ser incluida con el producto remitido para reparaciones a Master Appliance. Todas las reclamaciones por garantía deben hacerse a Master Appliance y no al distribuidor. Master Appliance no será responsable de reparaciones realizadas o intentadas por otros. No autorizamos ninguna garantía distinta, hecha por terceros. En caso de una reclamación por garantía, favor de devolver su EC-200 Heat Gun con transporte previamente pagado, con prueba de compra y una nota explicativa del problema, a nuestro departamento de servicio. Vea a continuación.

Master Appliance Corp.
2420 18th Street
Racine, WI 53403-2381
EE.UU.

Teléfono: 262-633-7791
Fax: 262-633-9745
sales@masterappliance.com
www.masterappliance.com



**MASTER HEAT GUN®
MASTER VARITEMP®
HEAT GUN**



**MASTER PROHEAT®
HEAT GUNS**



**MASTERFLOW®
HEAT BLOWER**

www.masterappliance.com

P/N 58304 REV A