

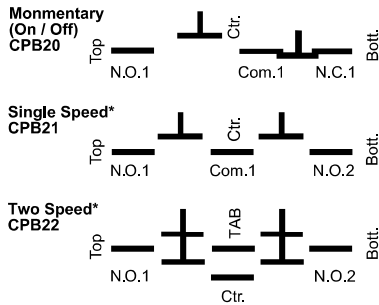
Switches

Pendant Pushbutton Stations



CPB21

Wiring Diagram CPB2 Series



* Mechanical "floating ball" interlock prevents activating both Pushbuttons simultaneously.



IP55
SUITABILITY

Compact Pendant Stations, CPB2 Series NEMA 4X

Two Button

Description	Catalog Numbers
Single-speed normally open-normally closed without mechanical interlock.	CPB20
Single-speed with mechanical interlock between pushbuttons.	CPB21
Two-speed with mechanical interlock between pushbuttons.	CPB22

Included with product: nylon cord grip and sealing washer (must be installed to achieve NEMA 4X rating). Indication label pack. Cord dia. range .375"-.625" (9.5 - 15.9).

Ambient temperatures: 25°F - 140°F (32°C-60°C).

Typical applications: Package electric motor hoists. Remote control of machinery.

Contact Ratings, CPB2 Series

Single Speed	Voltage	Current
AC	120V	6A
35% PF	240V	3A
DC	125V	1.1A
IND	250V	.55A
Two-Speed	Voltage	Current
AC	120V	3A
35% PF	240V	1.5A