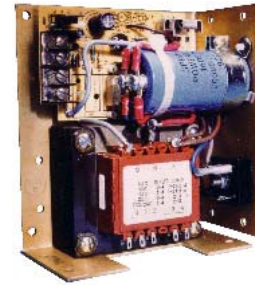


FEATURES

- 1-3 outputs, 15-250 watts
- Industry standard footprint
- Open frame linears
- 200,000 hours MTBF
- Fast delivery



SINGLE OUTPUT

Output	Case Size	Model
5V @ 3A	A	W100A
5V @ 6A	B	W101B
5V @ 9A	C	W102C
5V @ 12A	D	W103D
5V @ 18A	F	W120F
5V @ 27A	G	W121G
12V @ 1.7A	A	W104A
12V @ 3.4A	B	W105B
12V @ 5.1A	C	W106C
12V @ 6.8A	D	W107D
12V @ 10.8A	F	W122F
12V @ 17.1A	G	W123G
15V @ 1.5A	A	W108A
15V @ 3A	B	W109B
15V @ 4.8A	C	W110C
15V @ 6A	D	W111D
15V @ 9.5A	F	W124F
15V @ 14.4A	G	W125G
24V @ 1.2A	A	W112A
24V @ 2.4A	B	W113B
24V @ 3.6A	C	W114C
24V @ 4.8A	D	W115D
24V @ 7.2A	F	W126F
24V @ 9.9A	G	W127G
48V @ 0.5A	A	W116A
48V @ 1.0A	B	W117B
48V @ 3A	D	W118D

DESCRIPTION

The World Series (W Series) consists of single and multiple output open frame power supplies. Each model uses a specially designed split bobbin transformer enabling the units to meet the most stringent international safety standards for leakage and isolation. As the name World Series implies, the units are designed to operate from any worldwide input voltage. Multiples have anti-latch circuitry to handle high surge and cross coupled loads. W Series supplies come in 13 different chassis configurations, each conforming to the industry standard footprints. All outputs are isolated and have barrier block output terminations. These features combine to make the W Series an ideal choice for critical commercial and industrial applications.

DUAL & TRIPLE OUTPUT MODELS

Case Size	Output 1		Output 2		Output 3		Model
	Volts	Amps	Volts	Amps	Volts	Amps	
DA	5/12/15	.4/1/1.8	5/12/15	.4/1/1.8	—	—	W208A
DB	5/12/15	.7/1.7/1.5	5/12/15	.7/1.7/1.5	—	—	W209B
DC	5/12/15	1.5/3.4/3	5/12/15	1.5/3.4/3	—	—	W210C
DC	5	2	12	4	—	—	W205C
TA	5	2	5/9-15	.2/4	5/9-15	.2/4	W300A
TD	5	3	5/12/15	.4/1/1.8	5/12/15	.4/1/1.8	W301D
TD	5	6	5/9-15	.7/1.5	5/9-15	.7/1.5	W318D
TE	5	6	5/12/15	.7/1.7/1.5	5/12/15	.7/1.7/1.5	W302E
TE	5	8	5/12/15	.7/1.7/1.5	5/12/15	.7/1.7/1.5	W303E
TF	5	12	5/12/15	.7/1.7/1.5	5/12/15	.7/1.7/1.5	W304F
TE	5	6	12	1.2	24	3.5/8p	W325E
TE	5	3	5	6	24	5/6p	W308E
TG	5	12	5/12/15	1.5/3.4/3	5/12/15	1.5/3.4/3	W305G
TB	5	4	5/9-15	.5/1	5/9-15	.5/1	W314B

Corresponding ratings separated by slash marks are alternate field selectable ratings for the designated output. All units have anti-latch circuitry to handle high surge and cross coupled loads.

CROWBAR OVERVOLTAGE PROTECTOR

All 5 volt W Series single output units have a built-in fixed crowbar overvoltage protector. Multiples also have this type of built-in crowbar on Output #1, when its voltage is specified as 5 volts only. Accessory crowbar protectors are available for other models, as shown in the table below.

Accessory Crowbar Protector Models

Voltage Range	0-15 Amp	15-36 Amp
6-15	CB41	CB51
15-30	CB42	CB52

W SERIES SPECIFICATIONS

INPUT

100, 120, 220, 230, 240 VAC +10%, -13%, 47-63 Hz.
For 230 VAC +15%, -10%. Derate output current 10%
for 50 Hz. operation.

EMISSIONS

FCC 20780, VDE 0871, EN 55022 Class B.

IMMUNITY

EN 61000-4-2, EN 61000-4-3, EN 61000-4-4,
EN61000-4-5, EN 61000-4-6.

OUTPUT

See table of models. Outputs are adjustable $\pm 5\%$.

PEAK CURRENTS

Numbers after a slash mark followed by a lower case
"p" are surge ratings that units deliver for approximately
500 milliseconds.

LINE REGULATION

$\pm 0.05\%$ for a 10% line change.

LOAD REGULATION

$\pm 0.05\%$ for a 50% load change.

RIPPLE & NOISE

1 mV rms, 5 mV pk.-pk.

OPERATING TEMPERATURE

0°C to 50°C full rated, derate linearly to 40% at 71°C.

STORAGE TEMPERATURE

-20°C to 85°C.

TEMPERATURE COEFFICIENT

0.03% per °C.

STABILITY

$\pm 0.1\%$ typical for 8 hours after warm up.

RECOVERY TIME

30 microseconds typical for full line changes or 100%
load increase.

SAFETY

Units meet UL 1950/60950, CSA 22.2 No. 6095-00, EN
60 950, IEC 950.

DIELECTRIC WITHSTAND VOLTAGE

Input to ground - 3750 VAC Input to output - 3750 VAC
Output to ground - 700 VDC

CREEPAGE DISTANCE

Greater than 9mm line connected metal parts to dead
metal.

LEAKAGE CURRENT

Less than 50 microamps.

OVERVOLTAGE PROTECTION

All 5 volt models have built-in fixed crowbar. See
models page for OVP on other outputs.

REVERSE VOLTAGE PROTECTION

Provided on outputs and pass elements.

OVERLOAD & SHORT CIRCUIT

Adjustable auto-recovery foldback current limiting; time
delayed with a second foldback loop in units with surge
current capability.

REMOTE SENSING

Built in capability with loss of sense protection.

REMOTE PROGRAMMING

1000 ohms per volt approximately.

SHOCK & VIBRATION

MIL-STD 810-E Method 516.4, Procedure I. MIL-STD-
810E Method 514.4, Category 1, Procedure I.

MECHANICAL

Refer to drawings for dimensions, parts locations and
weight.

INTERFACE

Input solder lugs, output barrier block terminals.

MOUNTING

3 to 4 mounting surfaces, 5 orientations.

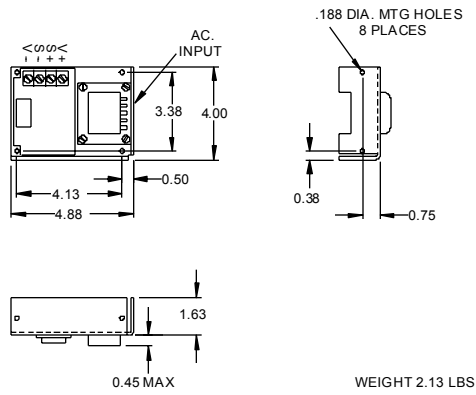
Specifications subject to change without notice.



W SERIES DIMENSIONS

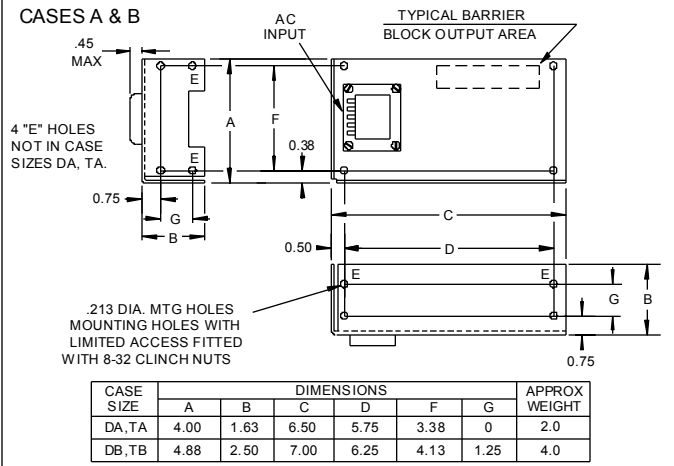
World Series Singles

CASE A

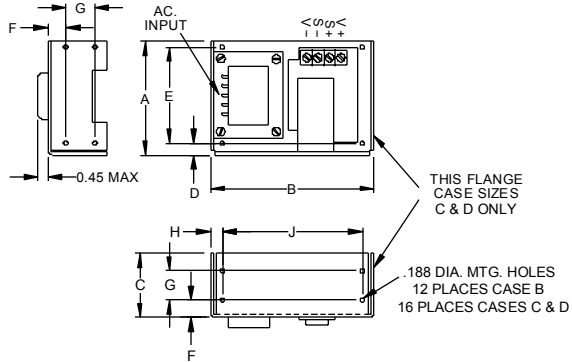


World Series Multiples

CASES A & B

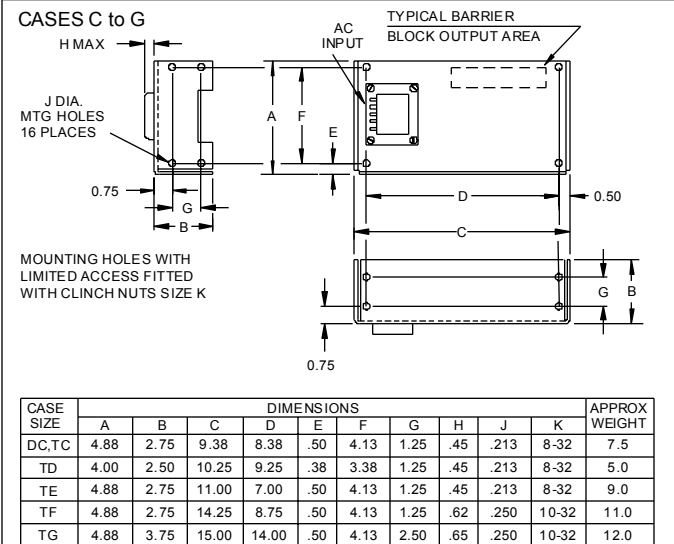


CASES B to D



CASE SIZE	DIMENSIONS									APPROX WEIGHT
	A	B	C	D	E	F	G	H	J	
B	4.88	5.63	2.50	.50	4.13	.75	1.25	.50	4.88	4.0
C	4.88	7.00	2.75	.50	4.13	.75	1.25	.38	6.25	6.0
D	4.88	9.00	2.75	.50	4.13	.75	1.25	.50	8.00	8.0

CASES C to G



CASES F & G

