

# Hold Down Springs DIN Rails & Accessories

## Description

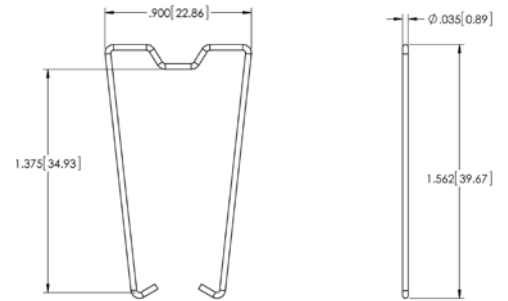
Relay Hold Down Springs

## Construction

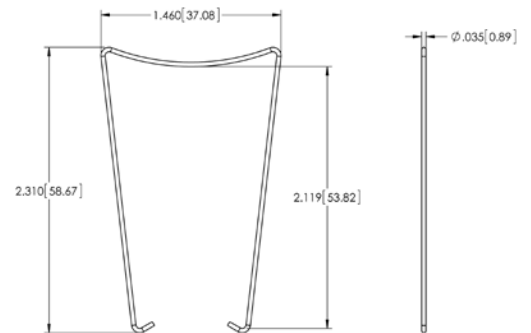
Stainless Steel

Agency Approvals • ROHS

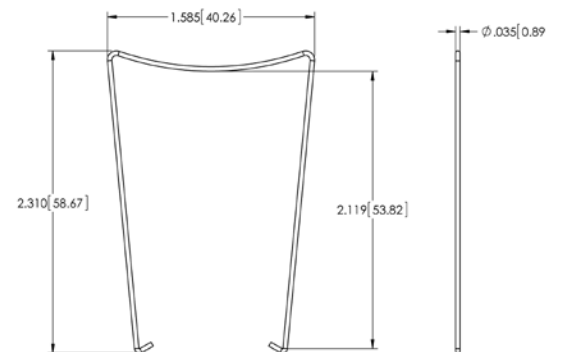
Part #	Description
HDB-4	For GR, GT, MR and MT Series Relay Sockets



Part #	Description
HDB-5	For CM Series Relay Sockets



Part #	Description
HDB-8	For SS and ST Series Relay Sockets



Part #	Description
HDB-9	For GR108-PCB, GR108-SLD and MR Series Relay Sockets

