

Backward curved motorized impellers

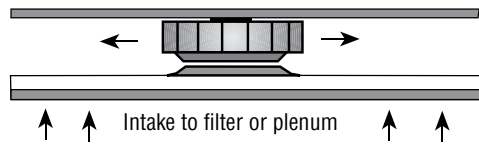
Space-saving design with high performance, maintenance-free operation.

ebmpapst

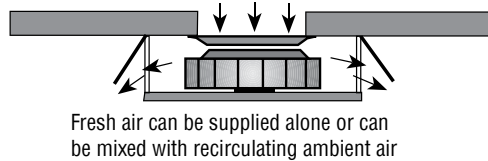
the engineer's choice

Better commercial and industrial ducted air movement

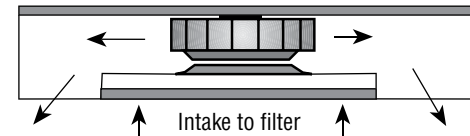
Room Circulation



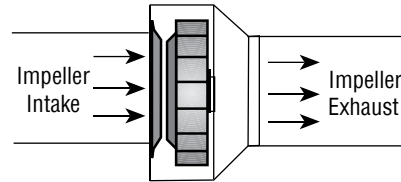
Room Air Ventilators & Diffusers



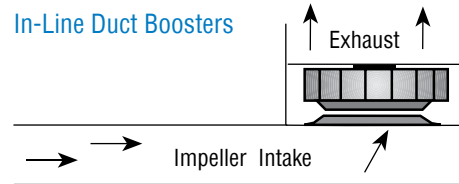
Room Recirculation



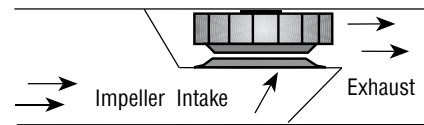
In-Line Duct Boosters



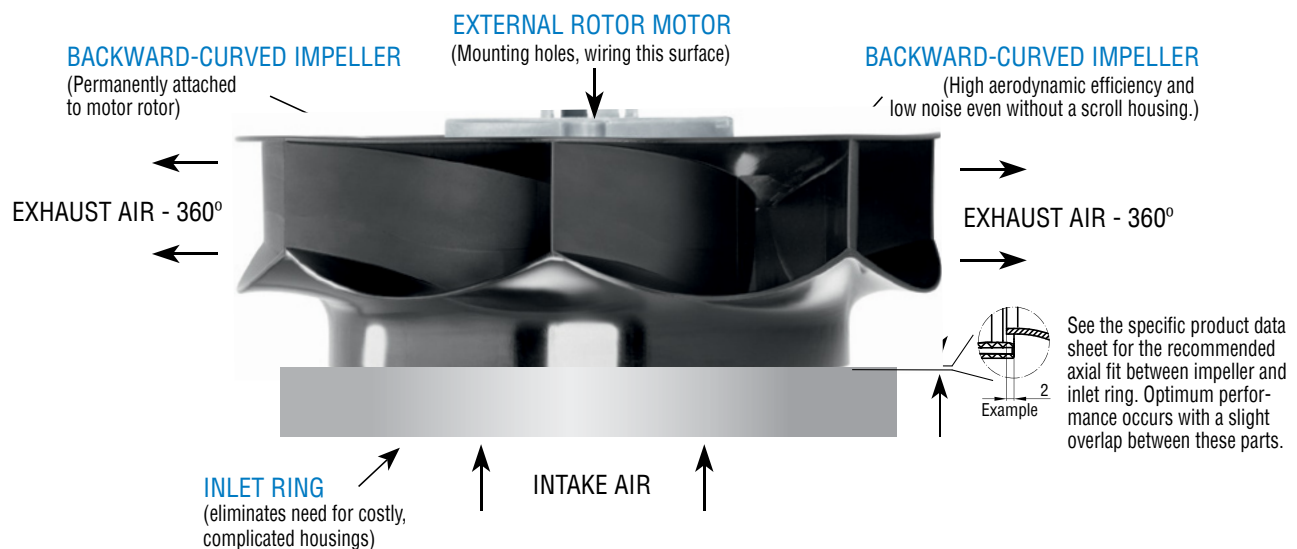
In-Line Duct Boosters



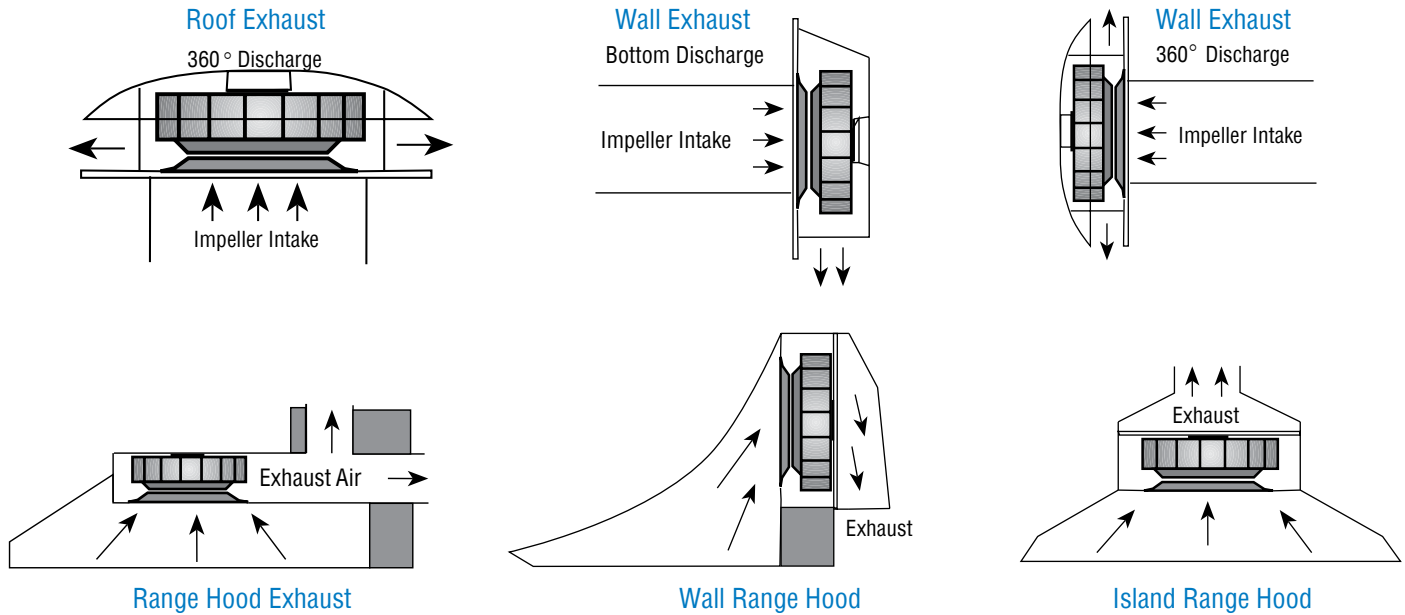
In-Line Duct Boosters



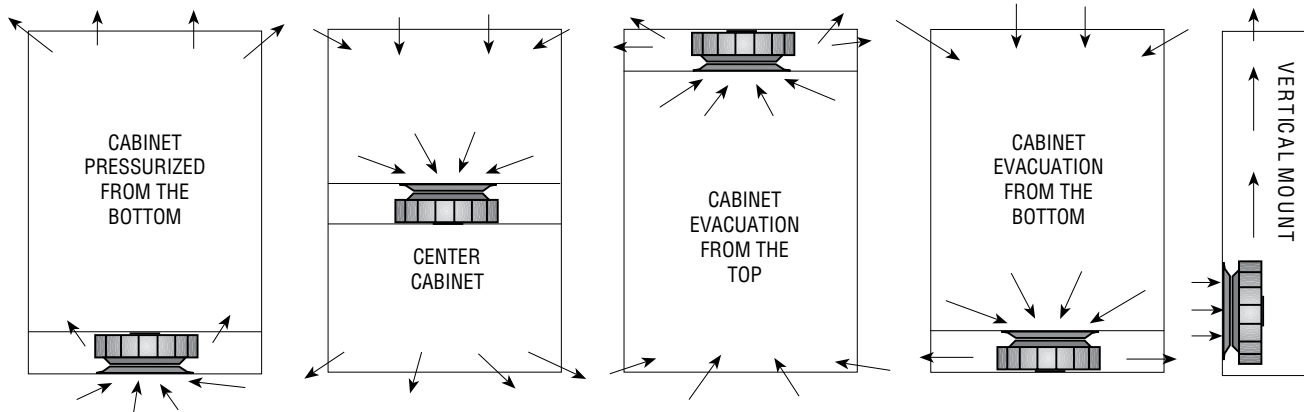
Easy installation and mounting



Perfect for exhaust applications



Excellent for cabinets and enclosures



High efficiency, long-life external rotor motor

- backward-curved centrifugal fans have high aerodynamic efficiency
- compact dimensions, no scroll housing necessary
- excellent airflow over the motor ensures low internal temperature
- all rotating parts are dynamically balanced
- low and uniform load on both bearings
- low sound and vibration

