



PART
NAME

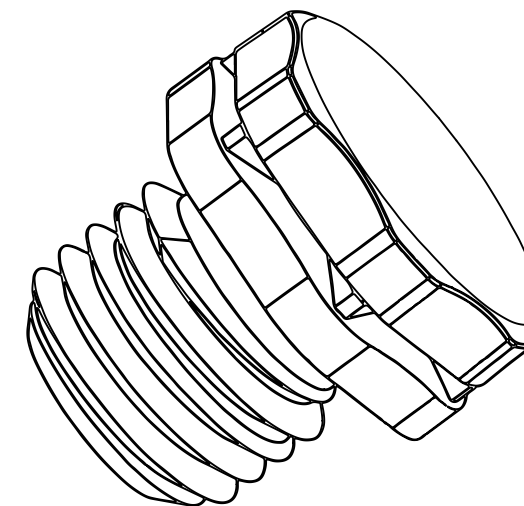
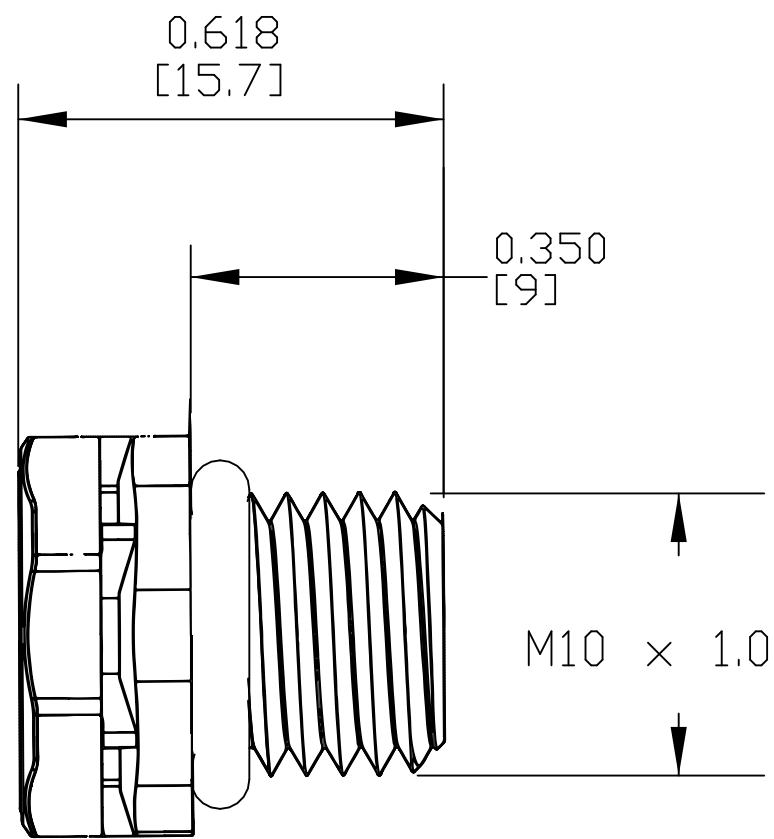
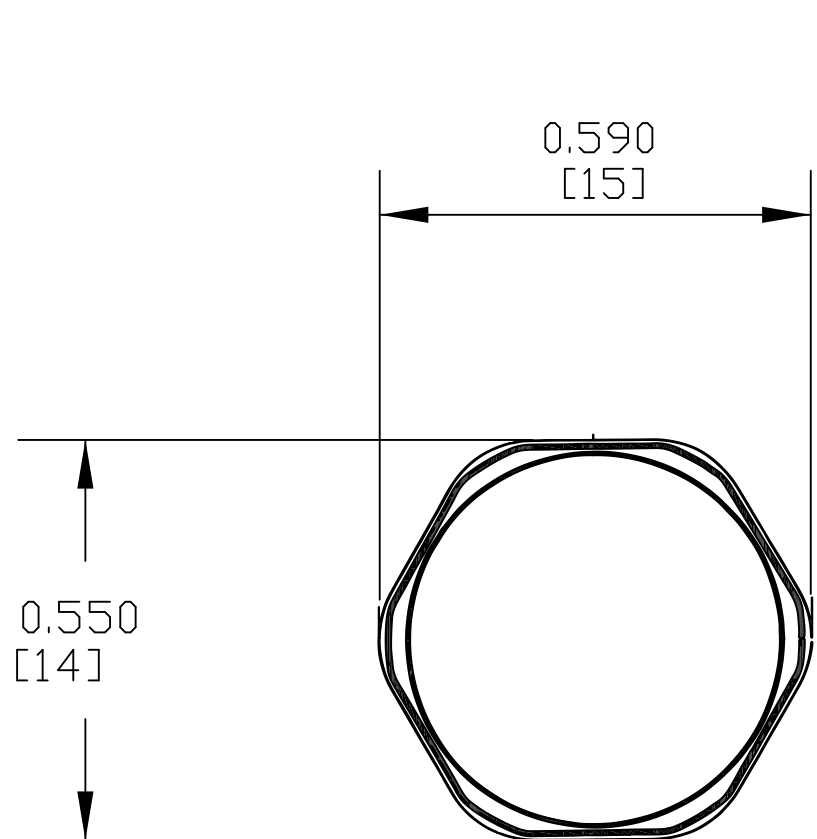
M10 X 1.0 VENT PLUG, BLACK, WITH ORING WASHER

PART
No.

IPV-67101-B

REV.
DATE

5/30/19



DRAWING FOR REFERENCE
 WE RESERVE THE RIGHT TO MAKE CHANGES TO OUR
 STANDARD PRODUCTS. PLEASE CONSULT WITH BUD INDUSTRIES
 PRIOR TO USING THIS DRAWING FOR DESIGN PURPOSE.

- NOTES:
- 1- BODY MATERIAL - PC (IP67)
 MEMBRANE MATERIAL - e-PTFE
 ORING WASHER MATERIAL - SILICONE
 - 2- FINISH - BLACK
 - 3- DIMENSIONS ARE INCH
 [MM]



PART NAME

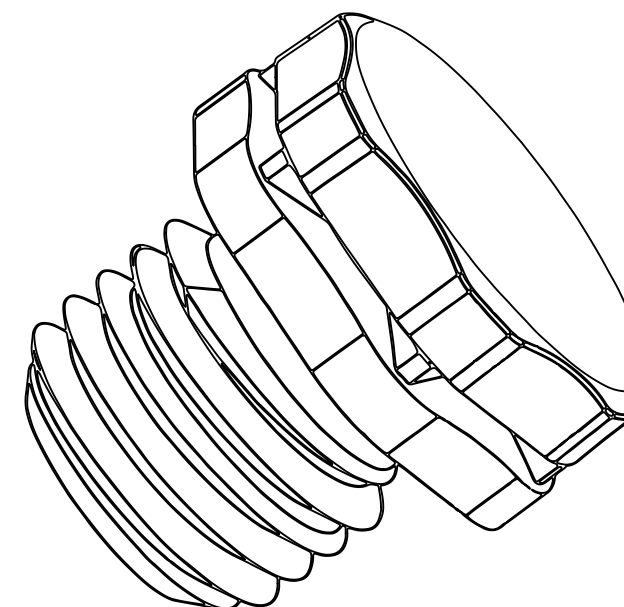
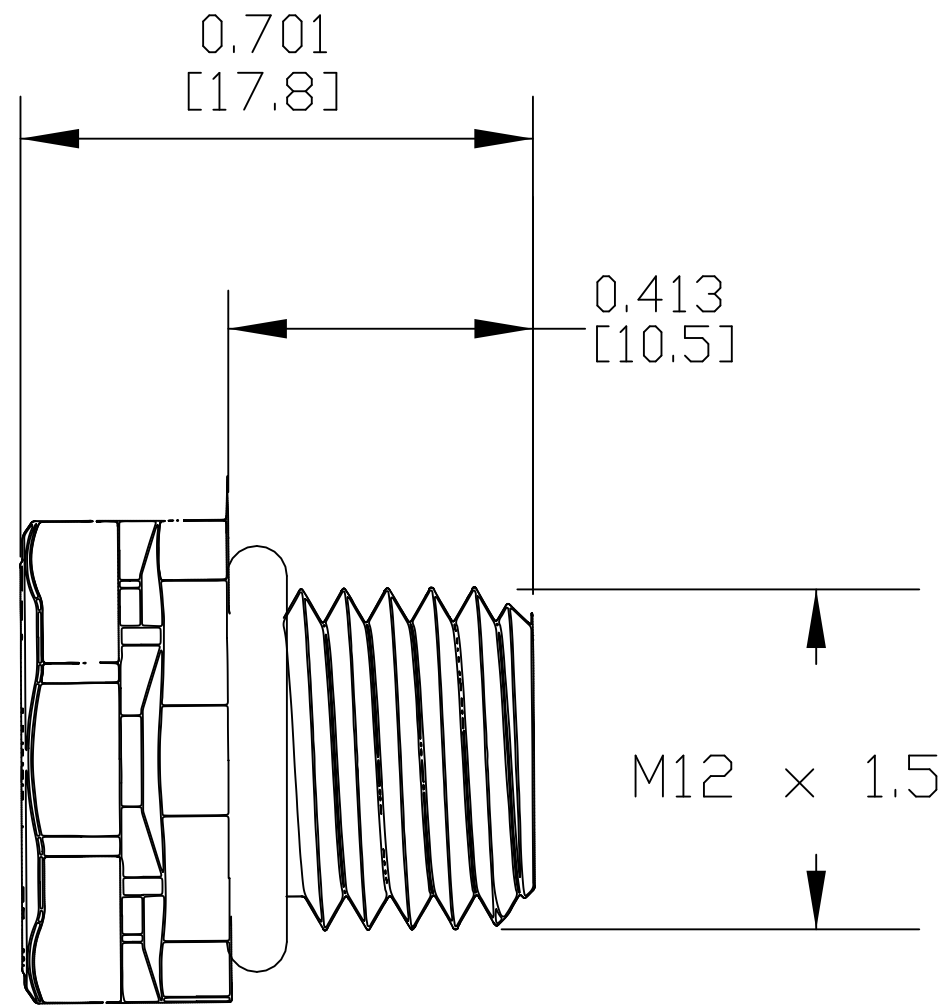
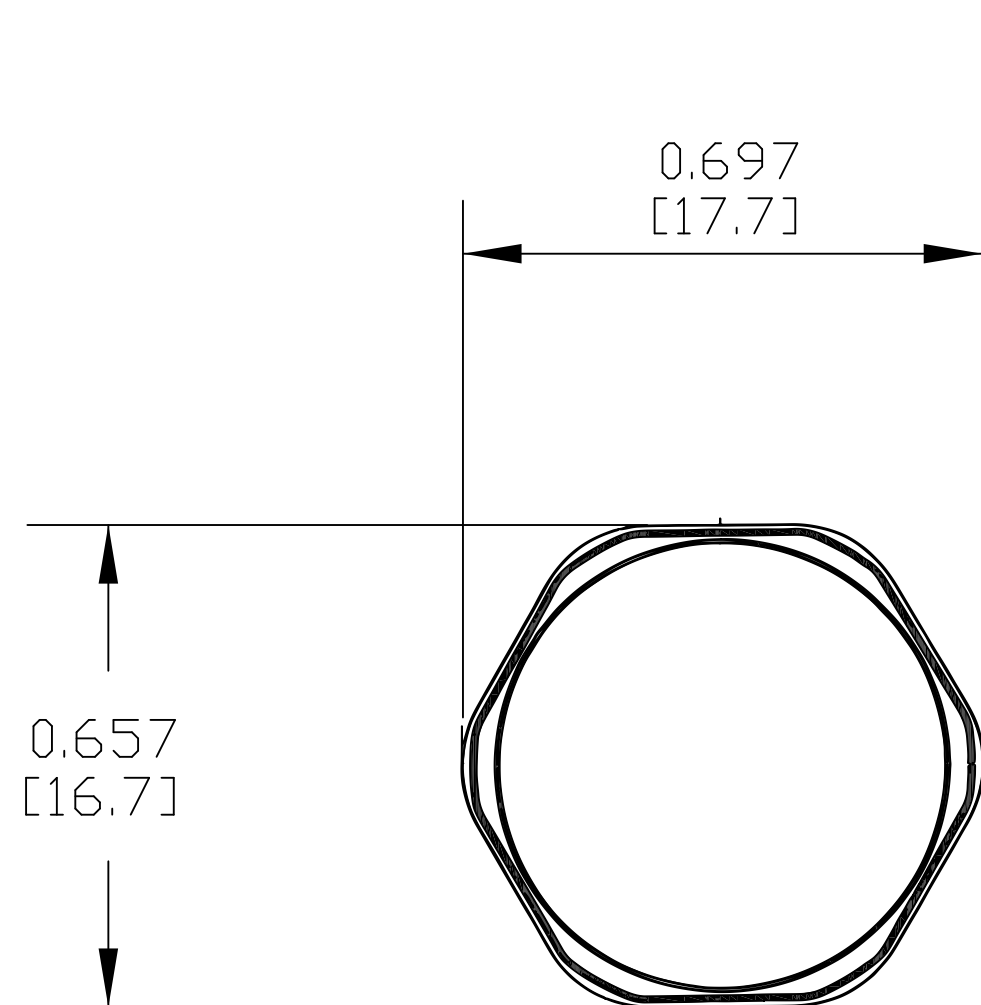
M12 X 1.5 VENT PLUG, BLACK, WITH O-RING WASHER

PART No.

IPV-67121-B

REV. DATE

5/29/19



DRAWING FOR REFERENCE
 WE RESERVE THE RIGHT TO MAKE CHANGES TO OUR
 STANDARD PRODUCTS. PLEASE CONSULT WITH BUD INDUSTRIES
 PRIOR TO USING THIS DRAWING FOR DESIGN PURPOSE.

- NOTES:
- 1- BODY MATERIAL - PC (IP67)
 MEMBRANE MATERIAL - e-PTFE
 O-RING WASHER MATERIAL - SILICONE
 - 2- FINISH - BLACK
 - 3- DIMENSIONS ARE INCH
 [MM]



PART NAME

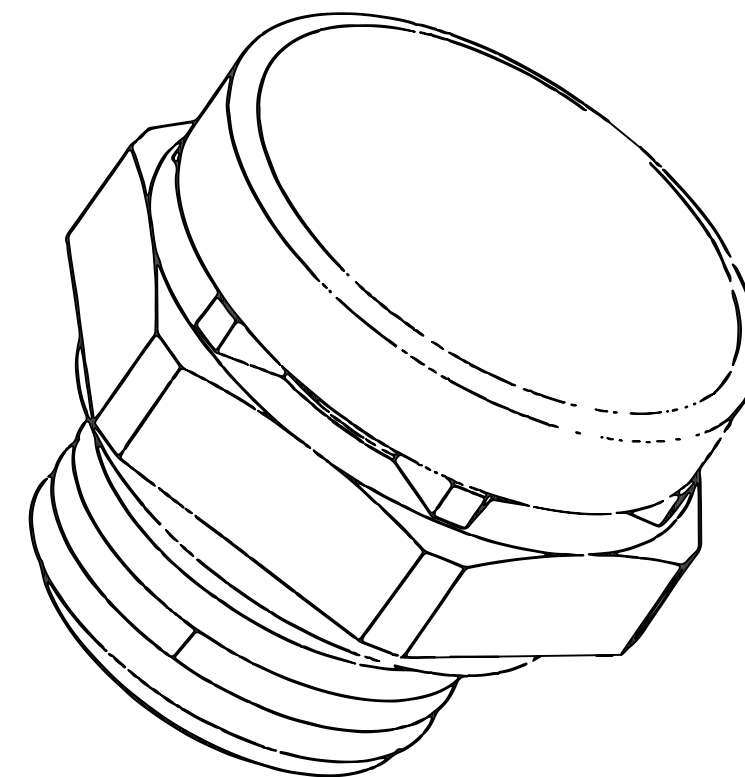
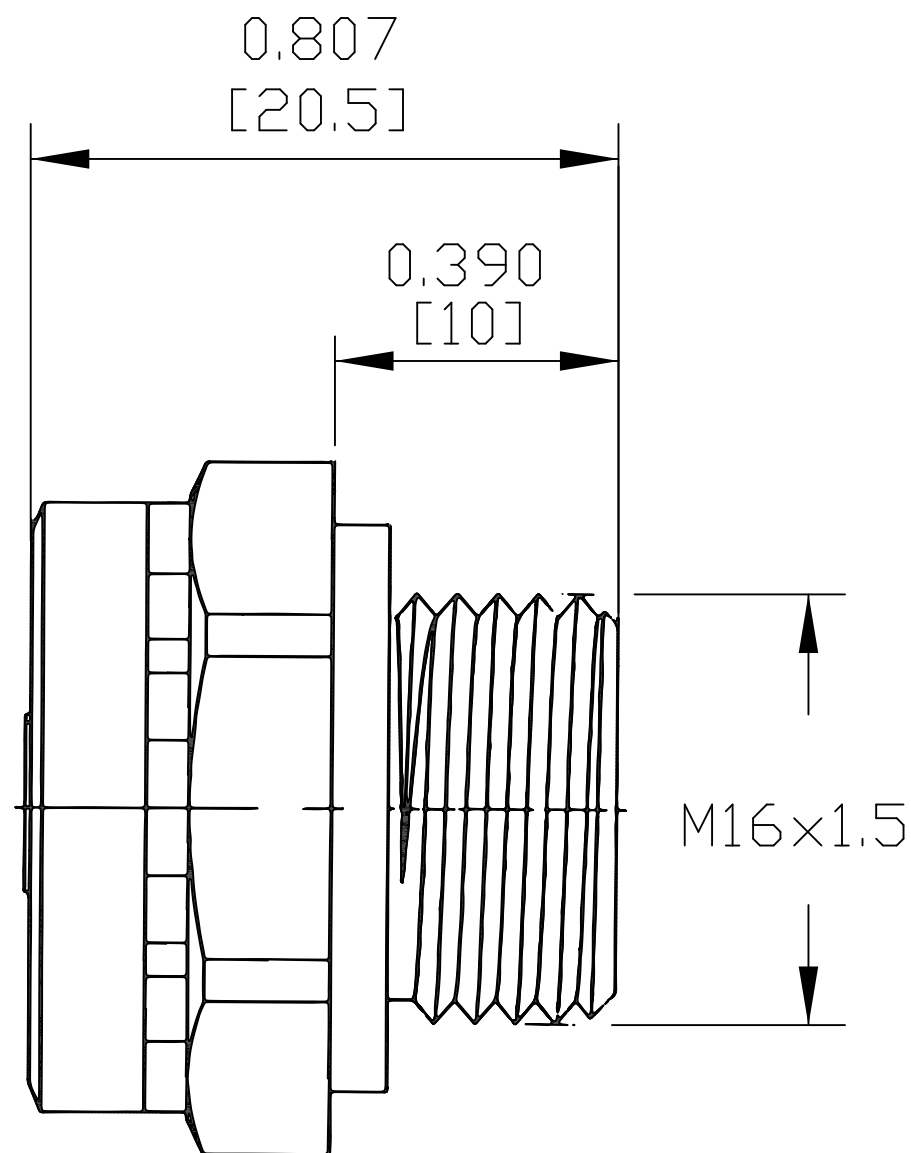
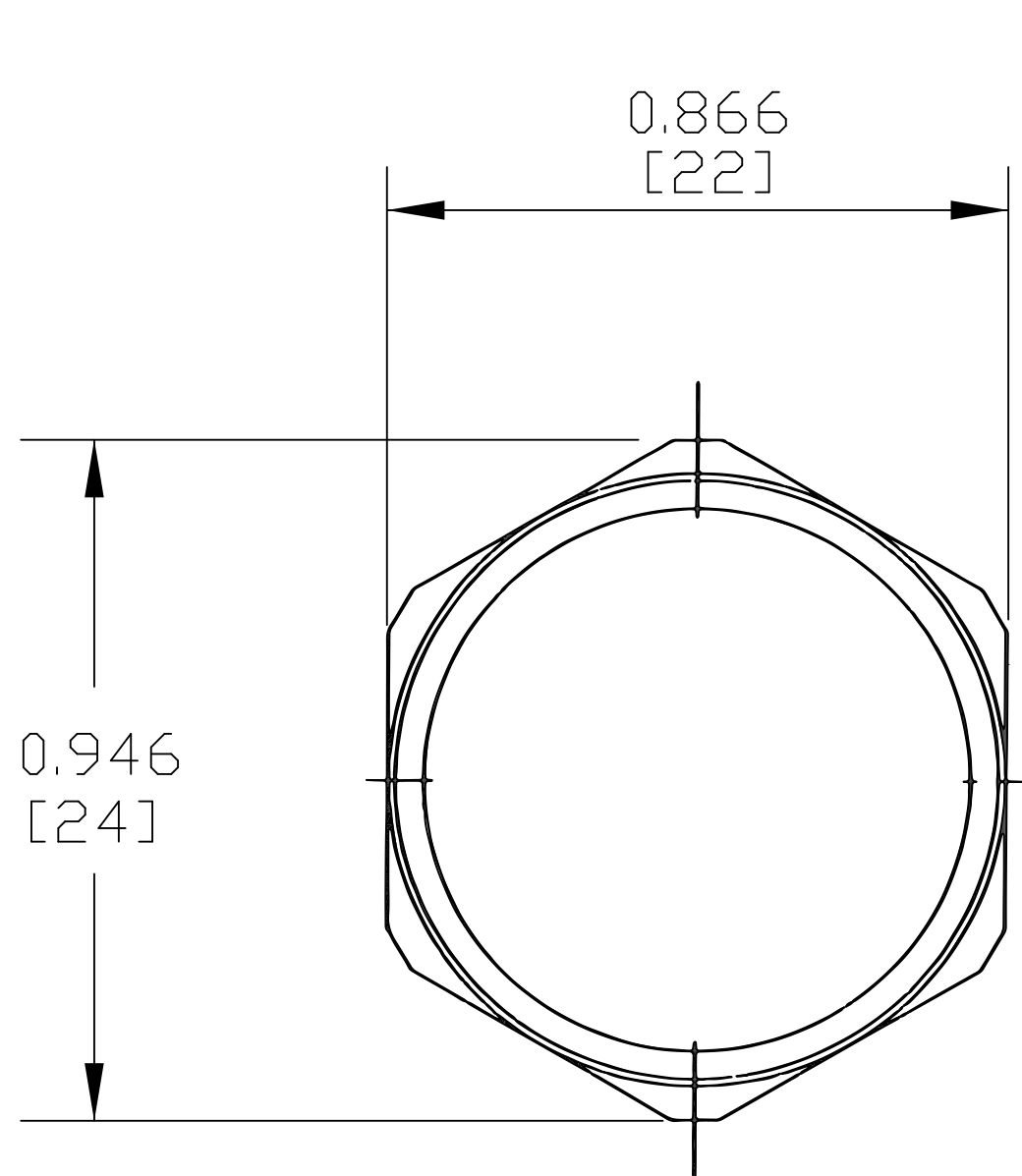
M16 X 1.5 VENT PLUG, BLACK, WITH O-RING WASHER

PART No.

IPV-67161-B

REV. DATE

5/29/19



DRAWING FOR REFERENCE
 WE RESERVE THE RIGHT TO MAKE CHANGES TO OUR
 STANDARD PRODUCTS. PLEASE CONSULT WITH BUD INDUSTRIES
 PRIOR TO USING THIS DRAWING FOR DESIGN PURPOSE.

- NOTES:
- 1- BODY MATERIAL - PC (IP67)
 MEMBRANE MATERIAL - e-PTFE
 O-RING WASHER MATERIAL - SILICONE
 - 2- FINISH - BLACK
 - 3- DIMENSIONS ARE INCH
 [MM]



PART
NAME

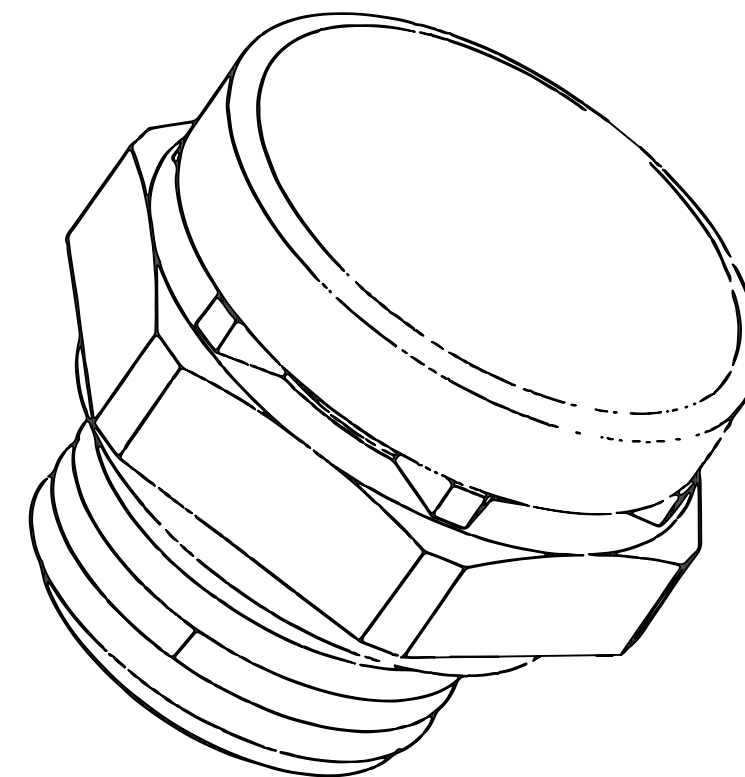
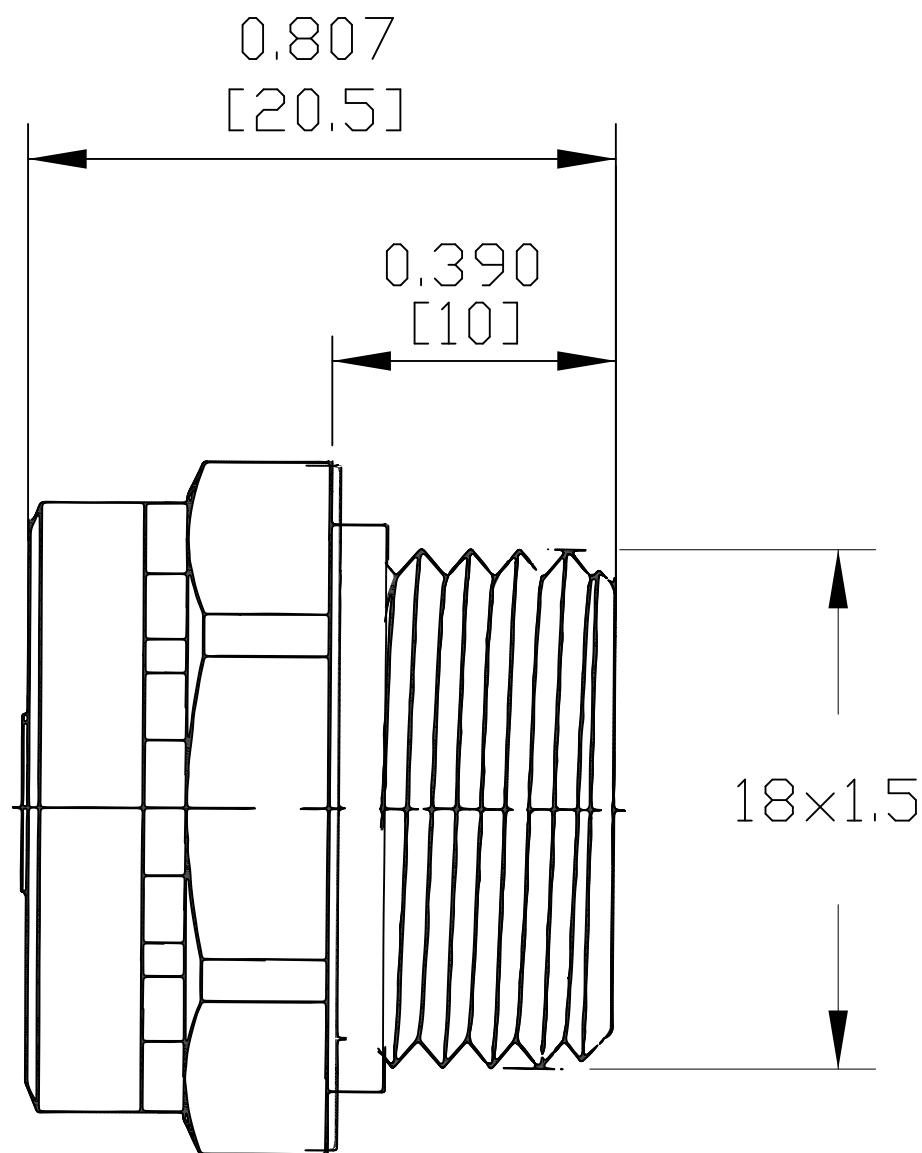
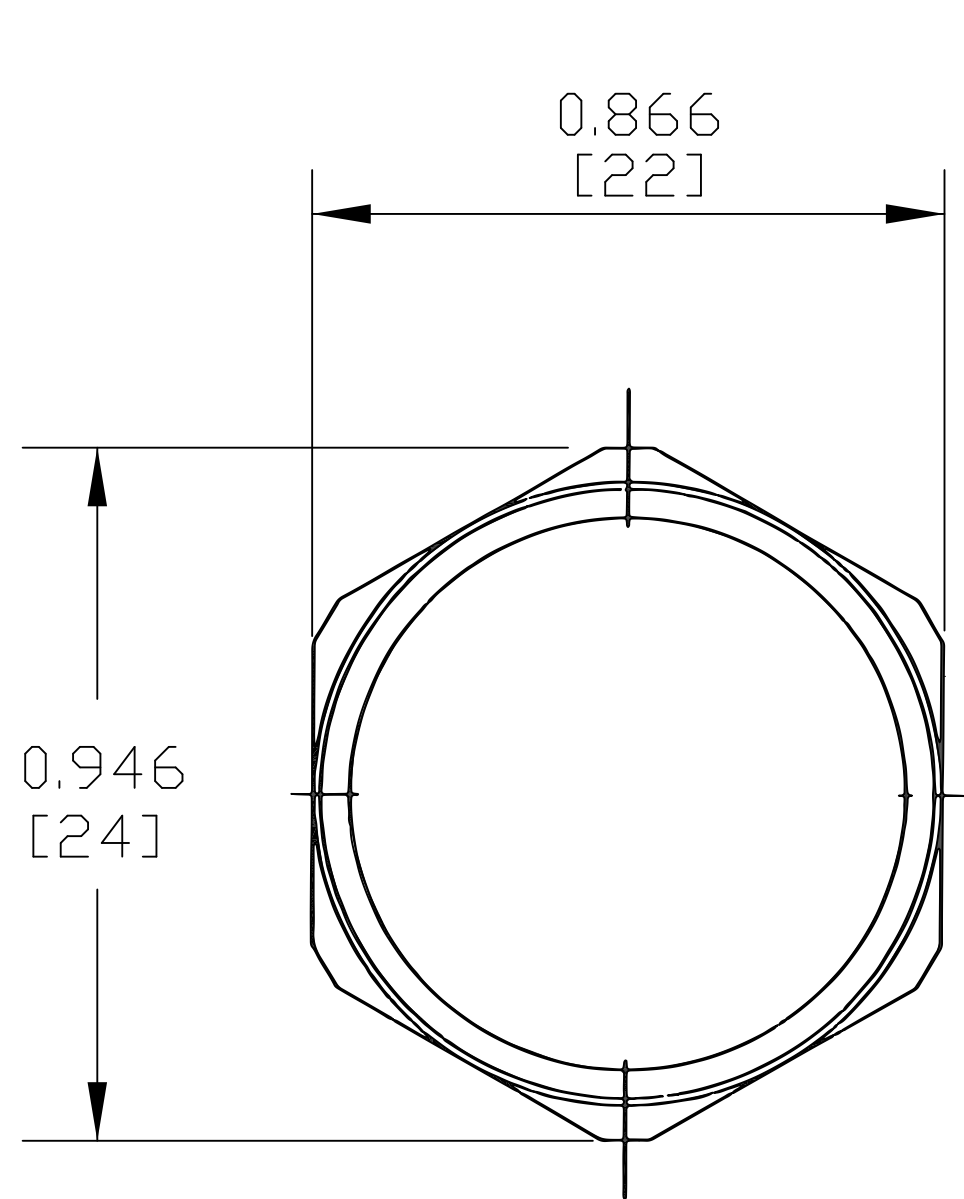
M18 X 1.5 VENT PLUG, BLACK, WITH O-RING WASHER

PART
No.

IPV-67181-B

REV.
DATE

5/29/19



DRAWING FOR REFERENCE
 WE RESERVE THE RIGHT TO MAKE CHANGES TO OUR
 STANDARD PRODUCTS. PLEASE CONSULT WITH BUD INDUSTRIES
 PRIOR TO USING THIS DRAWING FOR DESIGN PURPOSE.

- NOTES:
 1- BODY MATERIAL - PC (IP67)
 MEMBRANE MATERIAL - e-PTFE
 O-RING WASHER MATERIAL - SILICONE
 2- FINISH - BLACK
 3- DIMENSIONS ARE INCH
 [MM]



PART NAME

M32 X 1.5 VENT PLUG, BLACK, FLAT SEAL WASHER

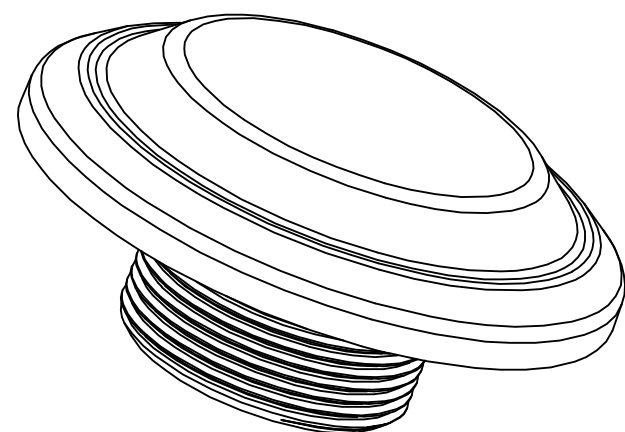
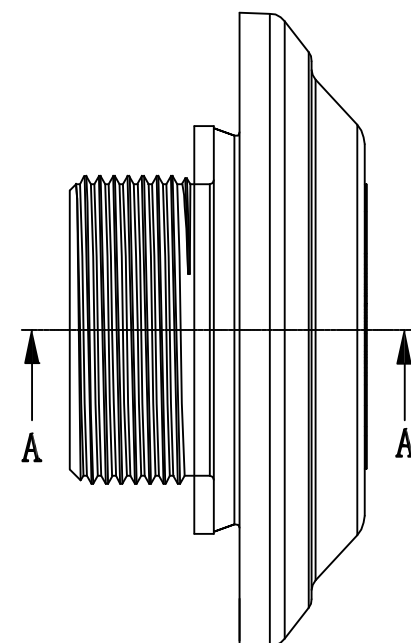
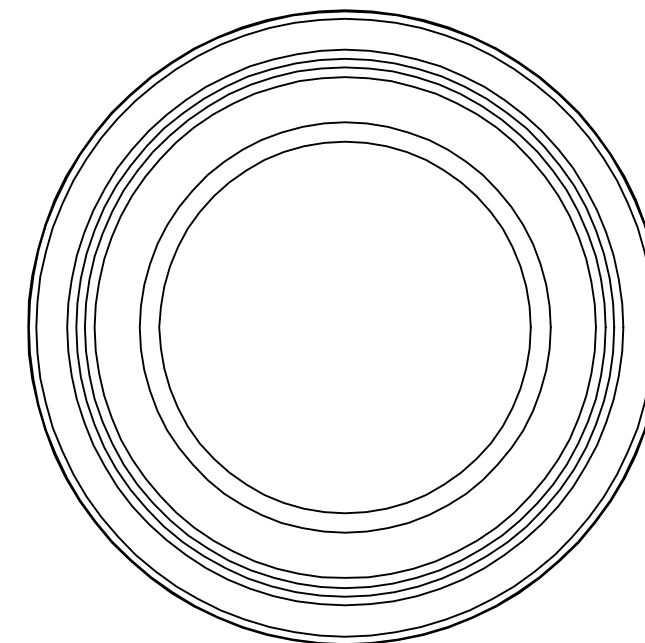
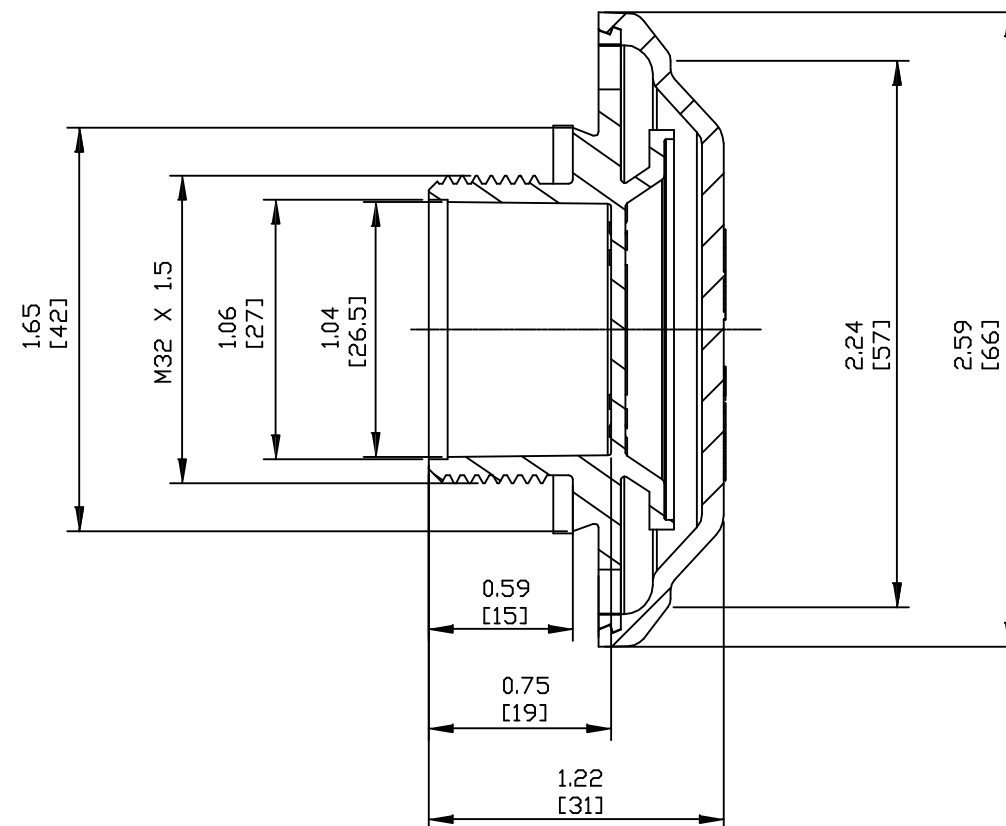
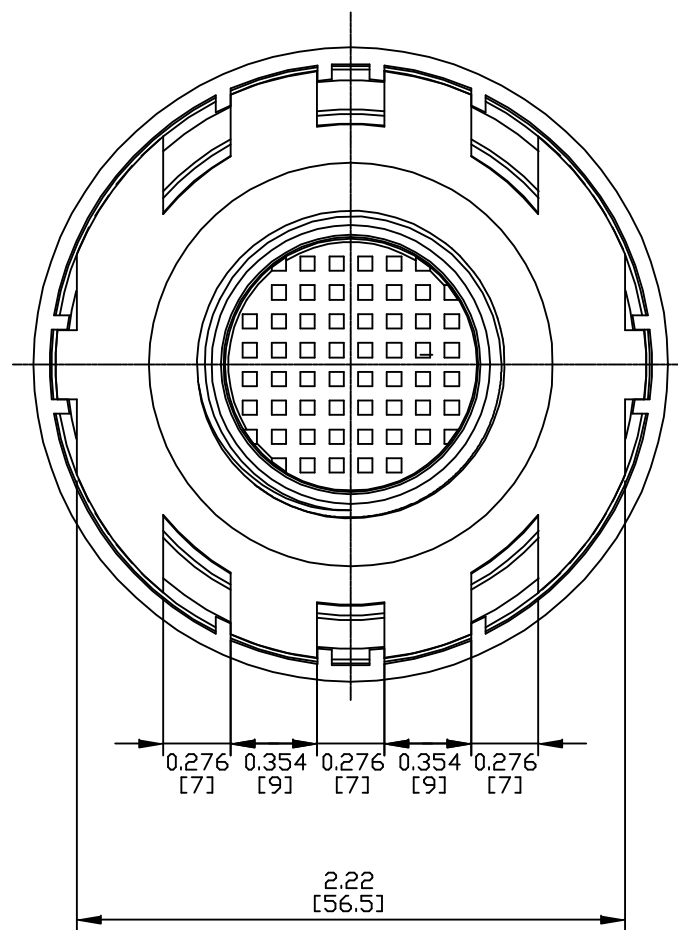
PART No.

IPV-67321-B

REV. DATE

5/30/19

SECTION A-A



NOTES:

- 1- BODY MATERIAL - PC (IP67)
- MEMBRANE MATERIAL - e-PTFE
- FLAT SEAL WASHER MATERIAL- SILICONE
- 2- FINISH - BLACK
- 3- DIMENSIONS ARE INCH [MM]

DRAWING FOR REFERENCE

WE RESERVE THE RIGHT TO MAKE CHANGES TO OUR STANDARD PRODUCTS. PLEASE CONSULT WITH BUD INDUSTRIES PRIOR TO USING THIS DRAWING FOR DESIGN PURPOSE.



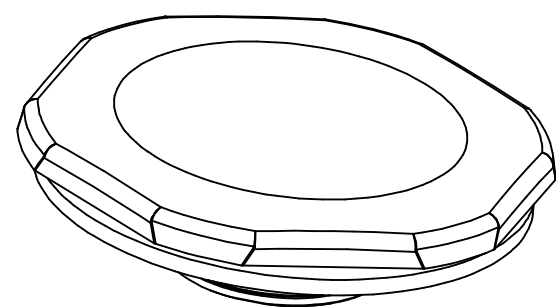
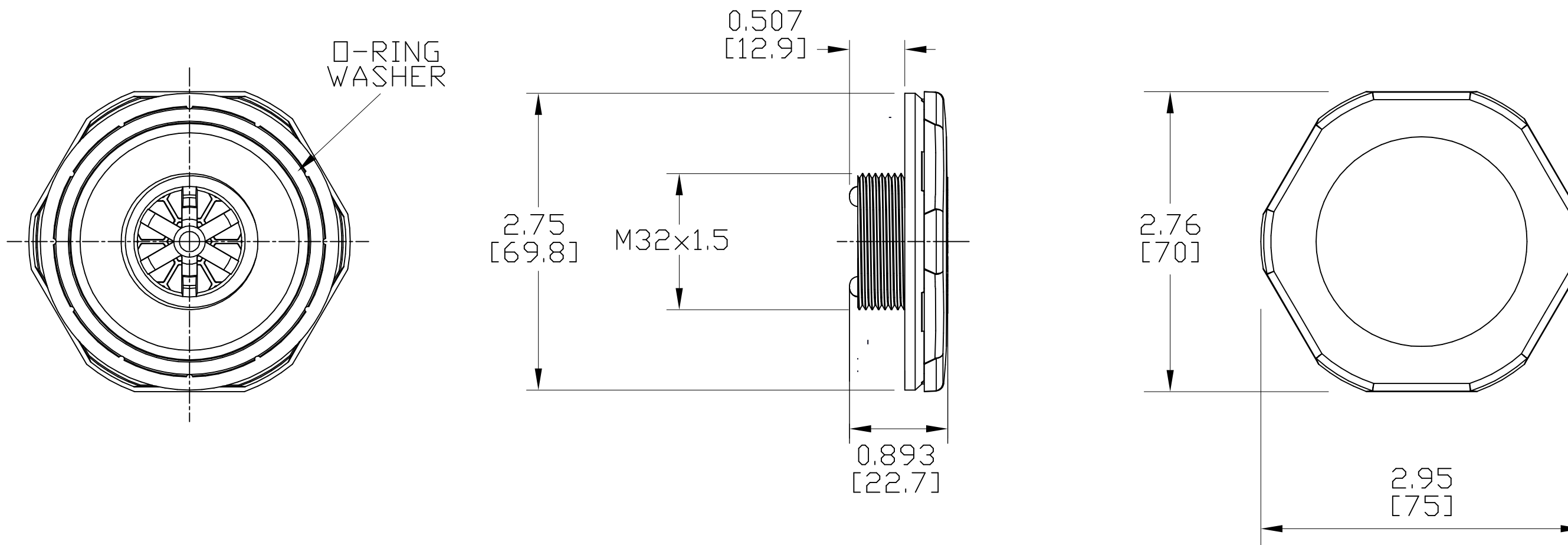
PART NAME M32 X 1.5 VENT PLUG, BLACK, WITH ORING WASHER

PART No.

IPV-67322-B

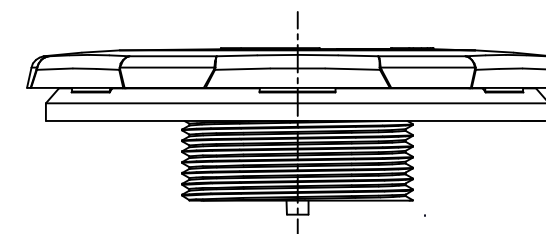
REV. DATE

5/30/19



DRAWING FOR REFERENCE
 WE RESERVE THE RIGHT TO MAKE CHANGES TO OUR STANDARD PRODUCTS. PLEASE CONSULT WITH BUD INDUSTRIES PRIOR TO USING THIS DRAWING FOR DESIGN PURPOSE.

- NOTES:
- 1- BODY MATERIAL - PC (IP67)
 MEMBRANE MATERIAL - e-PTFE
 ORING WASHER MATERIAL - SILICONE
 - 2- FINISH - BLACK
 - 3- DIMENSIONS ARE INCH [MM]





PART NAME

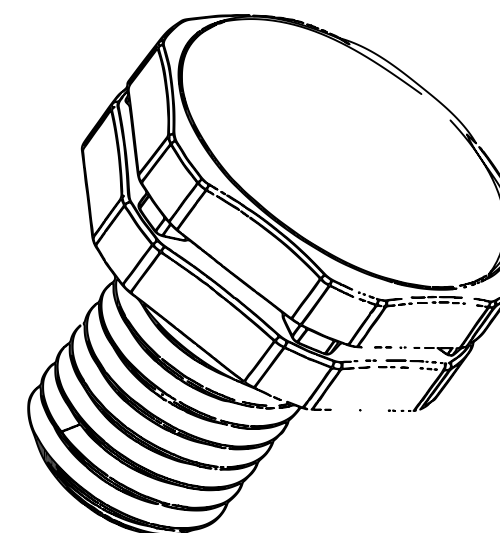
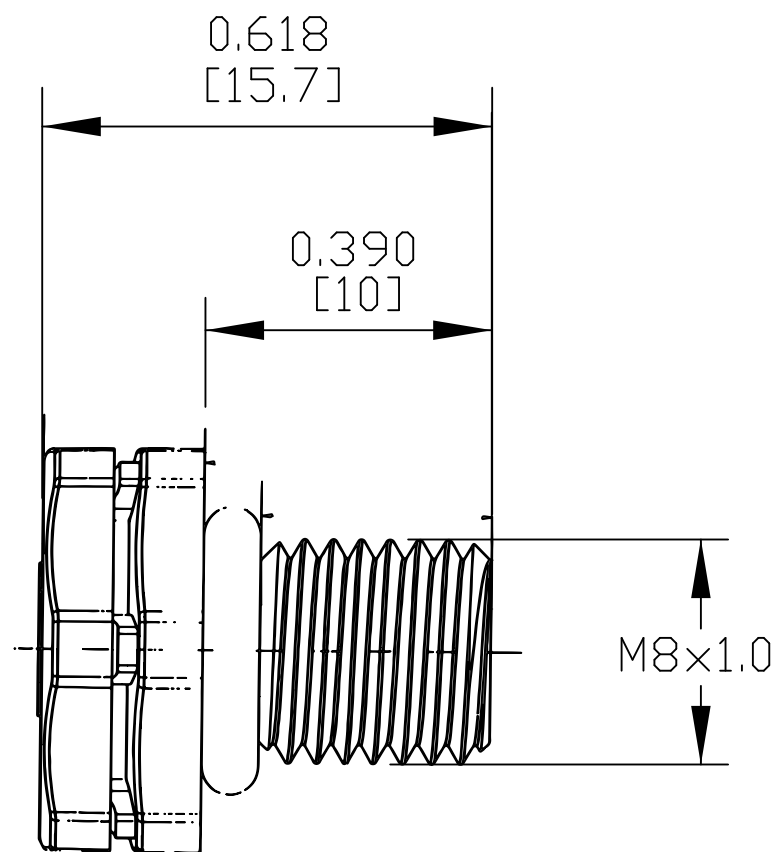
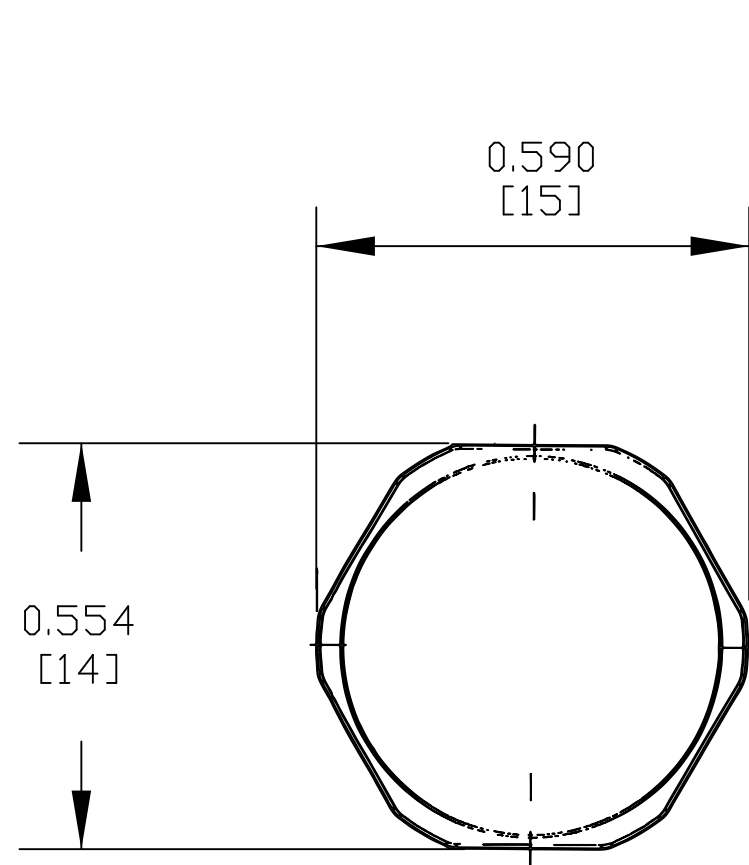
M8 X 1.0 VENT PLUG, BLACK, WITH O-RING WASHER

PART No.

IPV-67801-B

REV. DATE

5/29/19



DRAWING FOR REFERENCE
 WE RESERVE THE RIGHT TO MAKE CHANGES TO OUR
 STANDARD PRODUCTS. PLEASE CONSULT WITH BUD INDUSTRIES
 PRIOR TO USING THIS DRAWING FOR DESIGN PURPOSE.

- NOTES:
- 1- BODY MATERIAL - PC (IP67)
 MEMBRANE MATERIAL - e-PTFE
 O-RING WASHER MATERIAL - SILICONE
 - 2- FINISH - BLACK
 - 3- DIMENSIONS ARE INCH
 [MM]