



OD2510 Series

DC Fan - 5V, 12V
25 x 10mm (1.0 x .39in)



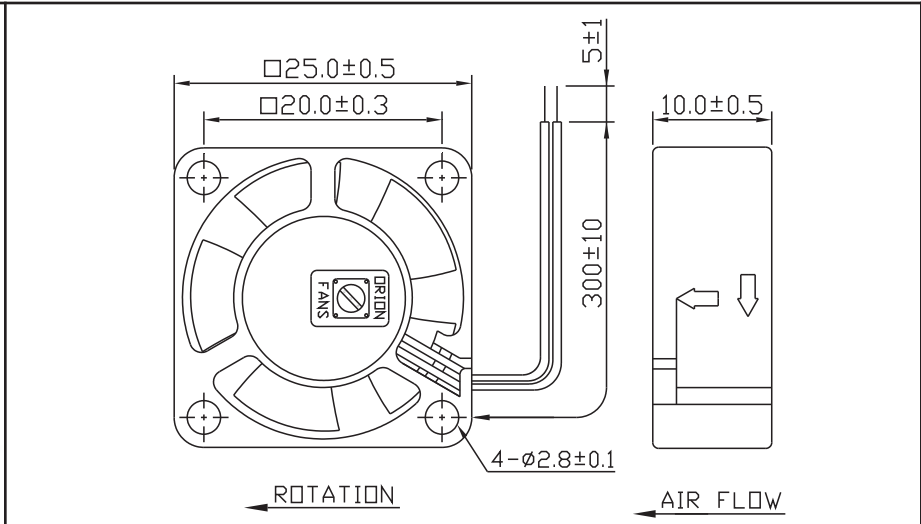
Model #	Pg #	Voltage	RPM	CFM	Noise Level	Max Static Pressure
OD2510-05H	2	5 VDC	12000	2.7	31 dB	.23 H ₂ O
OD2510-05M	2	5 VDC	10000	2.2	24 dB	.17 H ₂ O
OD2510-05L	2	5 VDC	8000	1.8	18 dB	.12 H ₂ O
OD2510-12H	2	12 VDC	12000	2.7	31 dB	.23 H ₂ O
OD2510-12M	2	12 VDC	10000	2.2	24 dB	.17 H ₂ O
OD2510-12L	2	12 VDC	8000	1.8	16 dB	.12 H ₂ O
OD2510-12LL	2	12 VDC	7000	1.45	15 dB	.07 H ₂ O
OD2510-12MB02A	3	12 VDC	10000	2.2	24 dB	.17 H ₂ O

** For some models and part numbers, minimum order quantities may apply.

OD2510 Series



DC Fan - 5, 12V
25 x 10mm (1.0" x 0.39")



Frame & Impeller	PBT, UL94V-0 plastic	Available Options: Tachometer Alarm <u>Life Expectancy (L10)</u> Ball - 60,000 hrs (45C) Sleeve - 30,000 hrs (45C) <u>Operating Temperature</u> Ball: -10C ~ 70C Sleeve: -10C ~ 50C Weight: ~ 0.02 lbs	<p>Graph showing Static Pressure ("H₂O") vs Airflow (CFM) for High, Medium, and Low speeds. The y-axis ranges from 0.00 to 0.25, and the x-axis ranges from 0 to 3. Three curves are shown, labeled High, Medium, and Low. The High speed curve starts at ~0.23 at 0 CFM and drops to ~0.10 at 3 CFM. The Medium speed curve starts at ~0.17 at 0 CFM and drops to ~0.05 at 3 CFM. The Low speed curve starts at ~0.12 at 0 CFM and drops to ~0.02 at 3 CFM.</p>
Connection	2x Lead wires 28AWG		
Motor	Brushless DC, auto restart, impedance and polarity protected		
Bearing System	Ball bearing or Sleeve		
Insulation Resistance	10M ohm between leadwire and frame (500VDC)		
Dielectric Strength	1 minute at 500 VAC, max leakage < 500 MicroAmp		
Storage Temperature	-40C ~ +80C		

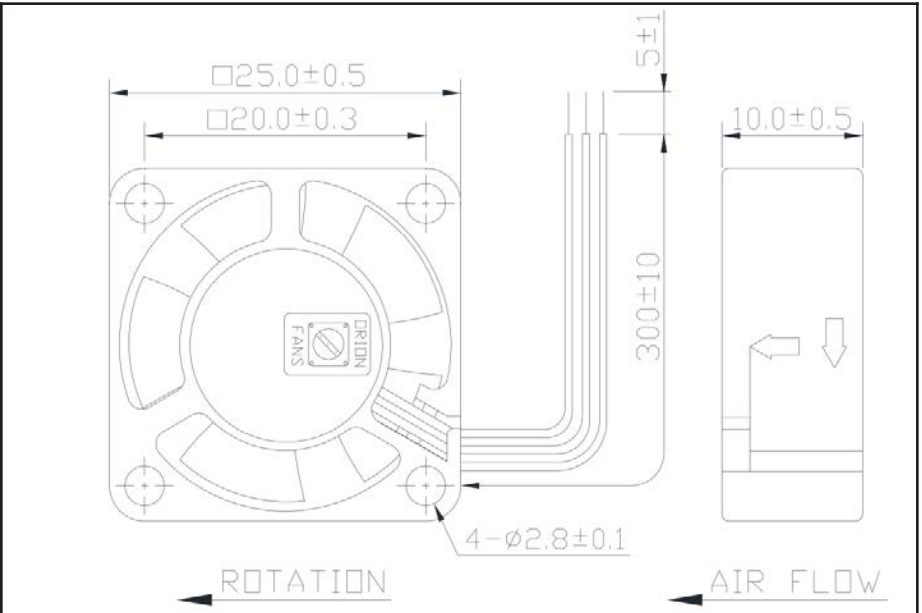
Model Number	Speed (RPM)	Airflow (CFM)	Noise (dB)	Volts DC	Voltage Range (VDC)	Amps	Max. Static Pressure ("H ₂ O)
OD2510-05H *	12000	2.7	31	5	4.0 ~ 5.5	0.14	0.23
OD2510-05M *	10000	2.2	24	5	4.0 ~ 5.5	0.12	0.17
OD2510-05L *	8000	1.8	18	5	4.0 ~ 5.5	0.10	0.12
OD2510-12H *	12000	2.7	31	12	6.0 ~ 16	0.09	0.23
OD2510-12M *	10000	2.2	24	12	6.0 ~ 16	0.08	0.17
OD2510-12L *	8000	1.8	16	12	6.0 ~ 16	0.04	0.12
OD2510-12LL *	7000	1.45	15	12	9.0 ~ 13.2	0.07	0.07

* Indicate "B" for ball bearing or "S" for sleeve bearing

OD2510-12MB02A



DC Fan, 12VDC
25x10mm (1x.39in)

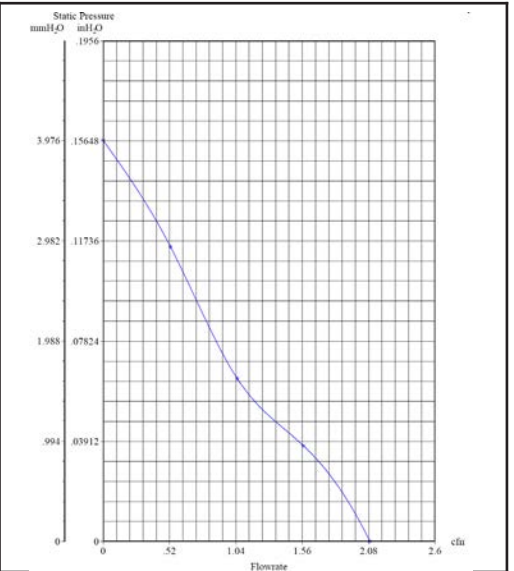


Frame & Impeller	PBT, UL94V-0 plastic
Connection	3x Lead wires *
Motor	Brushless DC, auto restart, polarity protected.
Bearing System	Dual ball bearing
Insulation Resistance	Min. 10M at 500VDC
Dielectric Strength	1 second at 500VAC max leakage 500 microamp
Temperature Range	-10C ~ 70C
Storage Temperature	-40C ~ +80C
Life (L10)	60,000 hours (40C)

Available Options
 IP55
 Other speeds and voltages
 Tachometer
 PWM

*Connection:
 Wire Leads - UL1007
 28AWG Red(+), Black (-), Yellow Alarm

Weight: 8 g



Model Number	OD2510-12MB02A
Part Number	125131231
Nominal Voltage	12 VDC
Voltage Range	6~16 VDC
Nominal Current	.08 A
Rated Power	1.44 Watts
Rated Speed (RPM)	10000
Airflow (CFM)	2.2
Noise Level (dB)	24
Max. Static Pressure	.17 "H ₂ O

Output of locked signal
 *Output type.....Open collector type
 *Electrical design suggestion:
 (External signal function design is decided by customer)

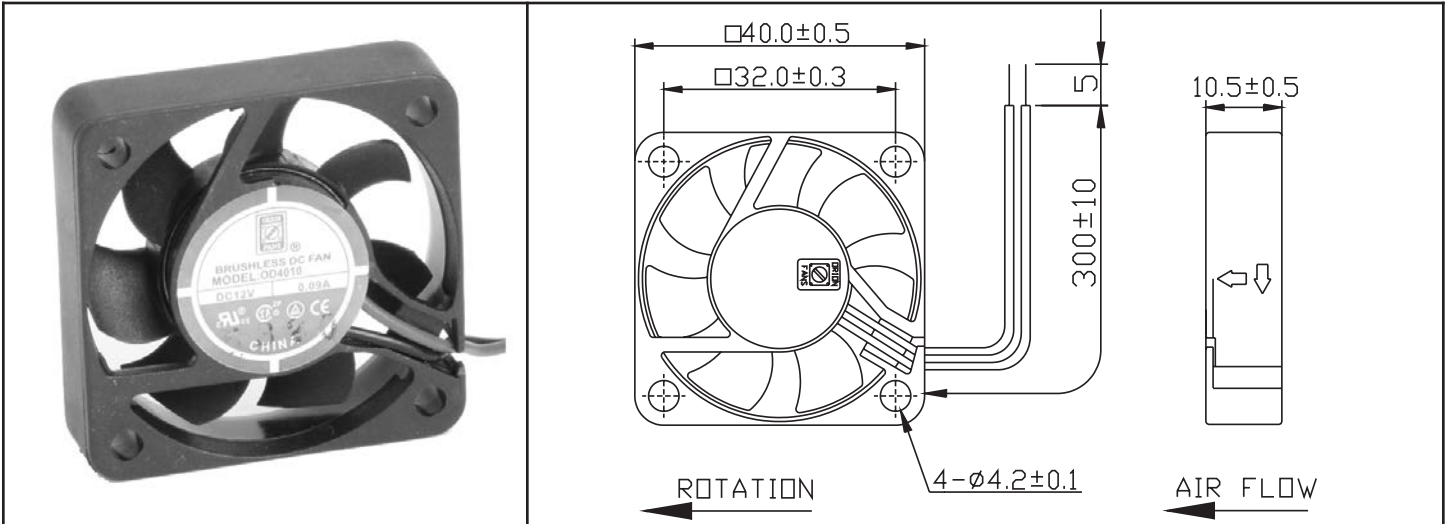
*Transistor Q1 at "ON" position
 Collector current.....I_c=5mA Max
 Saturation Voltage.....V_{ce}=1.0V Max
 (Between Collector and Emitter at I_c=5mA)
 *Transistor Q1 at "OFF" position
 Release Voltage.....V_{ce}=15V Max

*Output waveform

OD4010 Series



DC Fan - 5, 12, 24V
40 x 10mm (1.58" x 0.39")



Frame & Impeller	PBT, UL94V-0 plastic	Available Options: Tachometer Alarm PWM Sleeve bearing Life Expectancy (L10) Ball - 60,000 hrs (45C) Sleeve - 30,000 hrs (45C) Operating Temperature Ball: -10C ~ 70C Weight: ~ 0.04 lbs	
Connection	2x Lead wires 26AWG		
Motor	Brushless DC, auto restart, impedance and polarity protected		
Bearing System	Ball bearing		
Insulation Resistance	10M ohm between leadwire and frame (500VDC)		
Dielectric Strength	1 minute at 500 VAC, max leakage < 500 MicroAmp		
Storage Temperature	-40C ~ +80C		

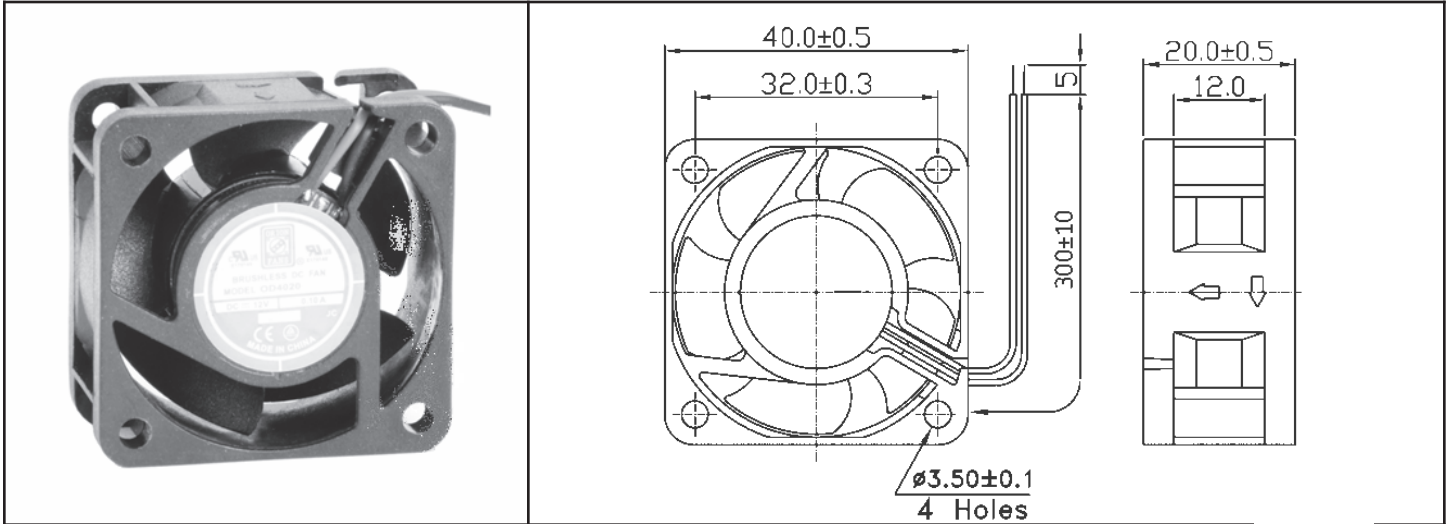
Model Number	Speed (RPM)	Airflow (CFM)	Noise (dB)	Volts DC	Voltage Range (VDC)	Amps	Max. Static Pressure ("H ₂ O)
OD4010-05H*	6000	7	25	5	4 ~ 5.5	0.19	0.10
OD4010-05M*	4800	6	20	5	4 ~ 5.5	0.11	0.08
OD4010-05L*	4200	5	14	5	4 ~ 5.5	0.08	0.06
OD4010-12H*	6000	7	25	12	10.8 ~ 13.2	0.10	0.10
OD4010-12M*	4800	6	20	12	10.8 ~ 13.2	0.08	0.08
OD4010-12L*	4200	5	14	12	10.8 ~ 13.2	0.07	0.06
OD4010-24H*	6000	7	25	24	21.6 ~ 26.4	0.09	0.10
OD4010-24M*	4800	6	20	24	21.6 ~ 26.4	0.08	0.08
OD4010-24L*	4200	5	14	24	21.6 ~ 26.4	0.07	0.06

To indicate sleeve bearing replace "B" suffix with "S" in part number (30,000 hrs life expectancy)
 To indicate sealed sleeve bearing replace "B" with "SS" in part number (50,000 hrs life expectancy)

OD4020 Series



DC Fan - 5, 12, 24V
40x20mm (1.58"x 0.79")



Frame & Impeller	PBT, UL94V-0 plastic	Available Options: Sleeve Bearing Sealed Sleeve Bearing Tachometer Alarm Life Expectancy (L10) Ball - 60,000 hrs (45C) Sleeve - 30,000 hrs (45C) Operating Temperature Ball: -10C ~ 70C Weight: ~0.06 lbs. m1	
Connection	2x Lead wires 26AWG		
Motor	Brushless DC, auto restart, impedance and polarity protected		
Bearing System	Ball bearing		
Insulation Resistance	10M ohm between leadwire and frame (500VDC)		
Dielectric Strength	1 minute at 500 VAC, max leakage < 500 MicroAmp		
Storage Temperature	-40C ~ +80C		

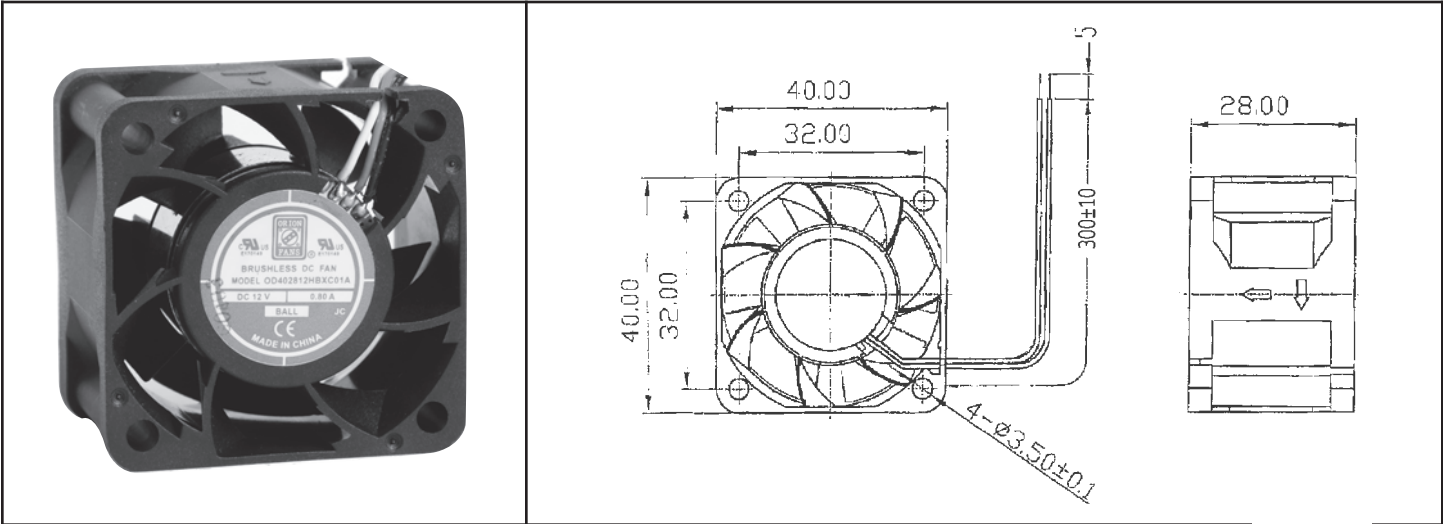
Model Number	Speed (RPM)	Airflow (CFM)	Noise (dB)	Volts DC	Voltage Range (VDC)	Amps	Max. Static Pressure (\"H ₂ O)
OD4020-05HB	7800	9	36	5	4 ~ 7	0.29	0.30
OD4020-05MB	6900	8	33	5	4 ~ 7	0.16	0.24
OD4020-05LB	6200	7	30	5	4 ~ 7	0.14	0.19
OD4020-12HB	7800	9	36	12	7 ~ 14	0.10	0.30
OD4020-12MB	6900	8	33	12	7 ~ 14	0.08	0.24
OD4020-12LB	6200	7	30	12	7 ~ 14	0.07	0.19
OD4020-24HB	7800	9	36	24	10 ~ 27	0.09	0.30
OD4020-24MB	6900	8	33	24	10 ~ 27	0.07	0.24
OD4020-24LB	6200	7	30	24	10 ~ 27	0.06	0.19

To indicate sleeve bearing replace "B" suffix with "S" in part number (30,000 hrs life expectancy)
 To indicate sealed sleeve bearing replace "B" with "SS" in part number (50,000 hrs life expectancy)

OD4028 - XC Series



DC Fan - 12V, High Speed
40x28mm (1.58" x 1.10")



Frame & Impeller	PBT, UL94V-0 plastic	Available Options: Tachometer Alarm PWM Life Expectancy (L10) 50,000 hours (40C) Weight: ~ 0.09 lbs m1	
Connection	2x Lead wires		
Motor	Brushless DC, auto restart, polarity protected.		
Bearing System	Dual ball bearing		
Insulation Resistance	Min. 10M at 500VDC		
Dielectric Strength	1 minute at 500 VAC, max leakage < 500 MicroAmp		
Temperature Range	-10C ~ 70C		
Storage Temperature	-40C ~ +80C		

Part Number	OD4028-12HB-XC
Nominal Voltage	12 VDC
Voltage Range	10.8 ~ 13.2 VDC
Nominal Current	0.8 A
Start-up Voltage	9.0 VDC
Rated Power	9.5 W
Rated Speed (RPM)	16,000
Airflow (CFM)	26.5
Noise Level (dB)	57
Max. Static Pressure	1.60" H ₂ O



OD5015 Series

DC Fan - 12V
50 x 15mm (1.96 x .59in)



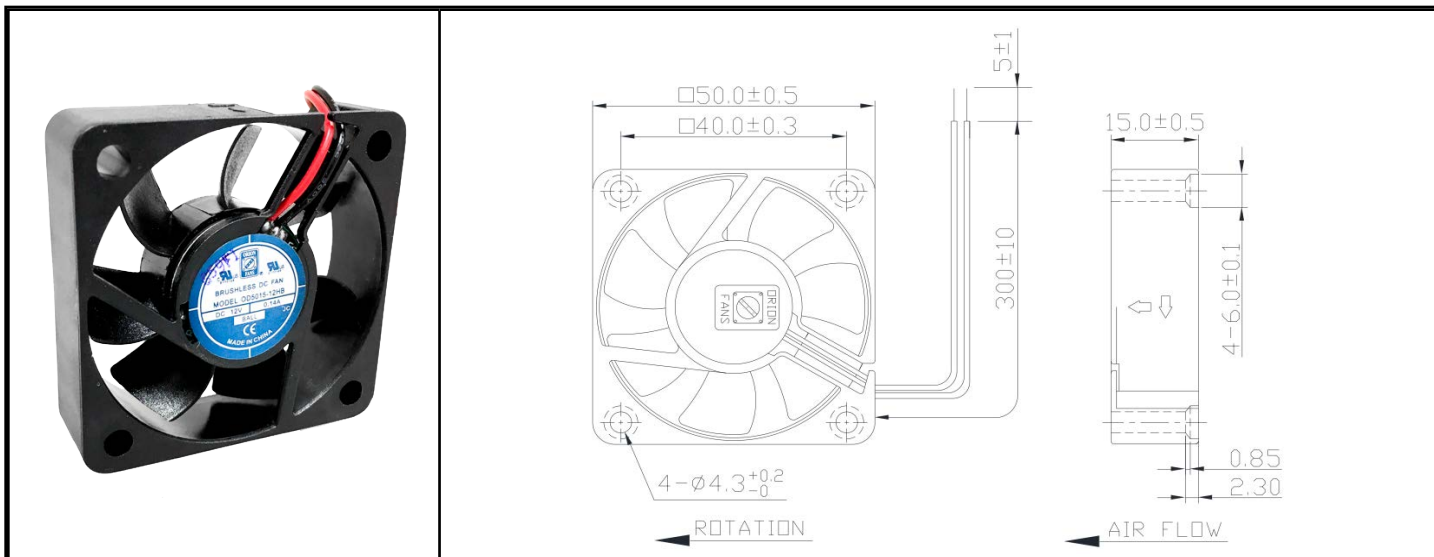
Model #	Pg #	Voltage	RPM	CFM	Noise Level	Max Static Pressure
OD5015-12HB	2	12 VDC	4800	14	30 dB	.13 H ₂ O
OD5015-12HB02A	3	12 VDC	4800	14	30 dB	.13 H ₂ O

** For some models and part numbers, minimum order quantities may apply.

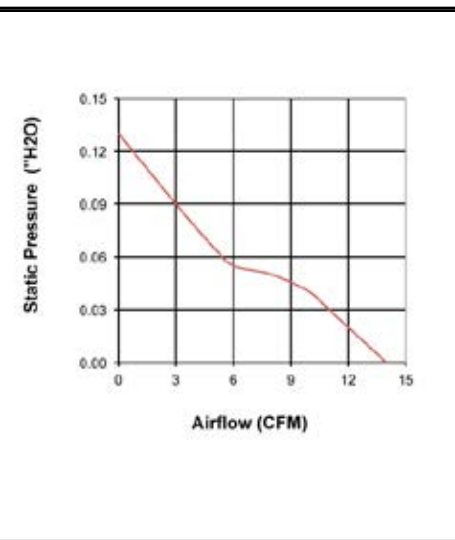
OD5015-12HB



DC Fan - 12V 50x15mm (1.96"x 0.59")



Frame	PBT, UL94V-0	Notes
Impeller	PBT, UL94V-0	Date: 063015
Connection	2x Lead wires *	<u>Available Options</u>
Motor	Brushless DC, imped- ance protected	Tachometer Alarm
Bearing System	Ball	Other speeds and voltages
Insulation Resistance	10M ohm between lead wire and frame (500VDC)	*Connection: UL1007 26AWG, black GND UL1007 26AWG, red Vcc
Dielectric Strength	60 seconds at 500VAC, max. leakage < 500 MicroAmp	Weight: 27g
Temperature Range	-10C ~ +70C	
Life Expectancy	70000 hours (40C)	

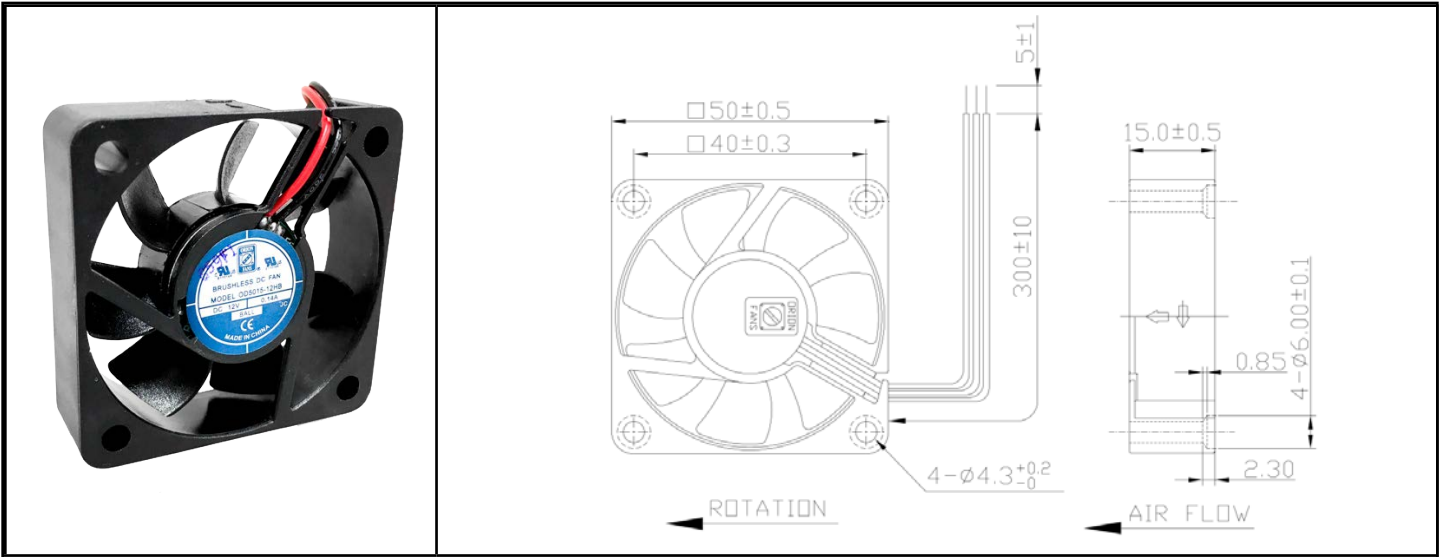


Model Number	OD5015-12HB
Part Number	159141001
Nominal Voltage	12 VDC
Voltage Range	9 ~ 13.2 VDC
Nominal Current (Amps)	0.11 A
Input Power (Watts)	1.68 W
Rated Speed (RPM)	4800
Airflow (CFM)	14
Noise Level (dB)	30
Max. Static Pressure (\" H ₂ O)	0.13

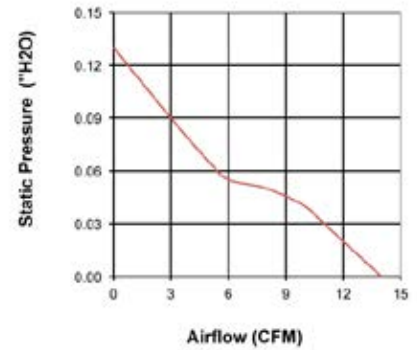
OD5015-12HB02A



DC Fan - 12V 50x15mm (1.96"x 0.59")



Frame	PBT, UL94V-0	Notes
Impeller	PBT, UL94V-0	Date: 063015
Connection	3x Lead wires *	<u>Available Options</u>
Motor	Brushless DC, imped- ance protected	Tachometer IP55
Bearing System	Ball	Other speeds and voltages
Insulation Resistance	10M ohm between lead wire and frame (500VDC)	*Connection: UL1007 26AWG, black GND UL1007 26AWG, red Vcc UL 1007 28AWG Yellow Alarm
Dielectric Strength	60 seconds at 500VAC, max. leakage < 500 MicroAmp	Weight: 27g
Temperature Range	-10C ~ +70C	
Life Expectancy	70000 hours (40C)	

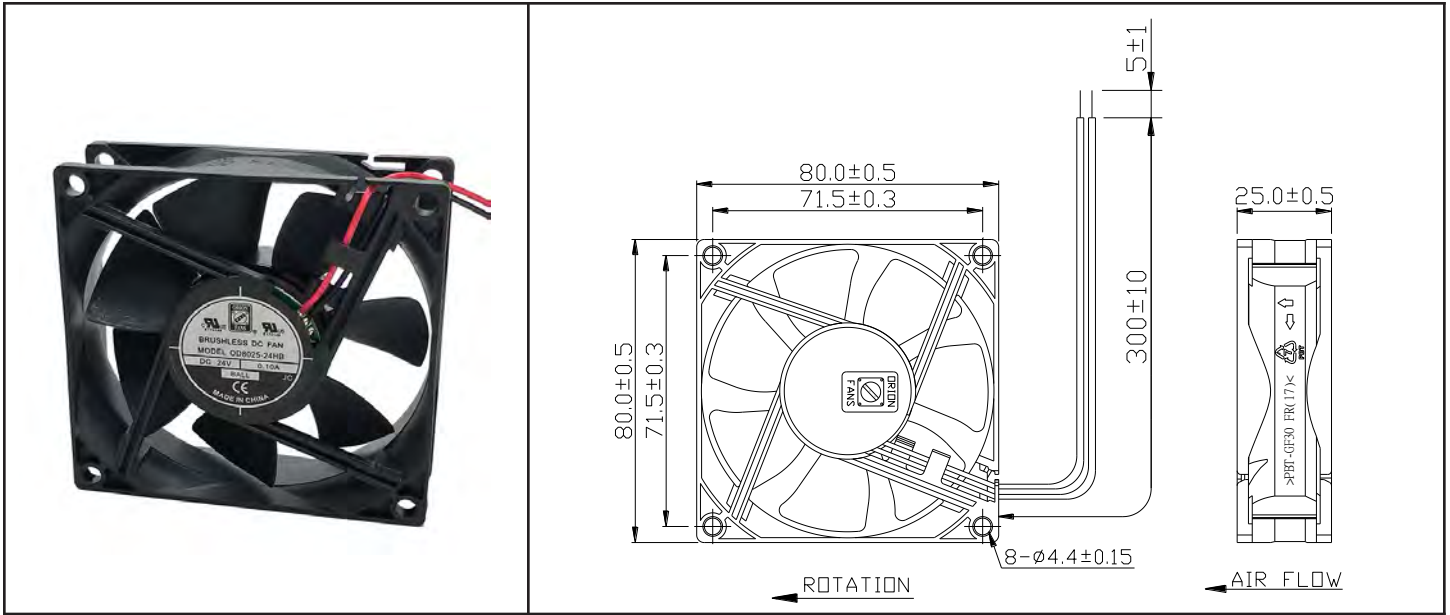


Model Number	OD5015-12HB02A	<p>Output of locked signal *Output type.....Open collector type *Electrical design suggestion: (External signal function design is decided by customer)</p> <p>*Transistor Q1 at "ON" position Collector current.....I_c=5mA Max Saturation Voltage.....V_{ce}=1.0V Max (Between Collector and Emitter at I_c=5mA) *Transistor Q1 at "OFF" position Release Voltage.....V_{ce}=15V Max</p> <p>*Output waveform</p>
Part Number	159141231	
Nominal Voltage	12 VDC	
Voltage Range	9 ~ 13.2 VDC	
Nominal Current (Amps)	0.11 A	
Input Power (Watts)	1.68 W	
Rated Speed (RPM)	4800	
Airflow (CFM)	14	
Noise Level (dB)	30	
Max. Static Pressure (" H ₂ O)	0.13	

OD8025 Series



DC Fan - 12, 24V
80x25mm (3.15"x 1.0")



Frame & Impeller	PBT, UL94V-0 plastic	Available Options: Tachometer (FG) Alarm (RD) Thermal Speed Control PWM Input Sleeve bearing IP55 48V Life Expectancy (L10) 65,000 hours (45C) Weight: ~ 0.19 lbs m1	
Connection	2x Lead wires 24AWG		
Motor	Brushless DC, auto restart, polarity protected		
Bearing System	Dual ball bearing		
Insulation Resistance	10M ohm between leadwire and frame (500VDC)		
Dielectric Strength	1 minute at 500 VAC, max leakage < 500 MicroAmp		
Temperature Range	-20C ~ +75C		
Storage Temperature	-40C ~ +80C		

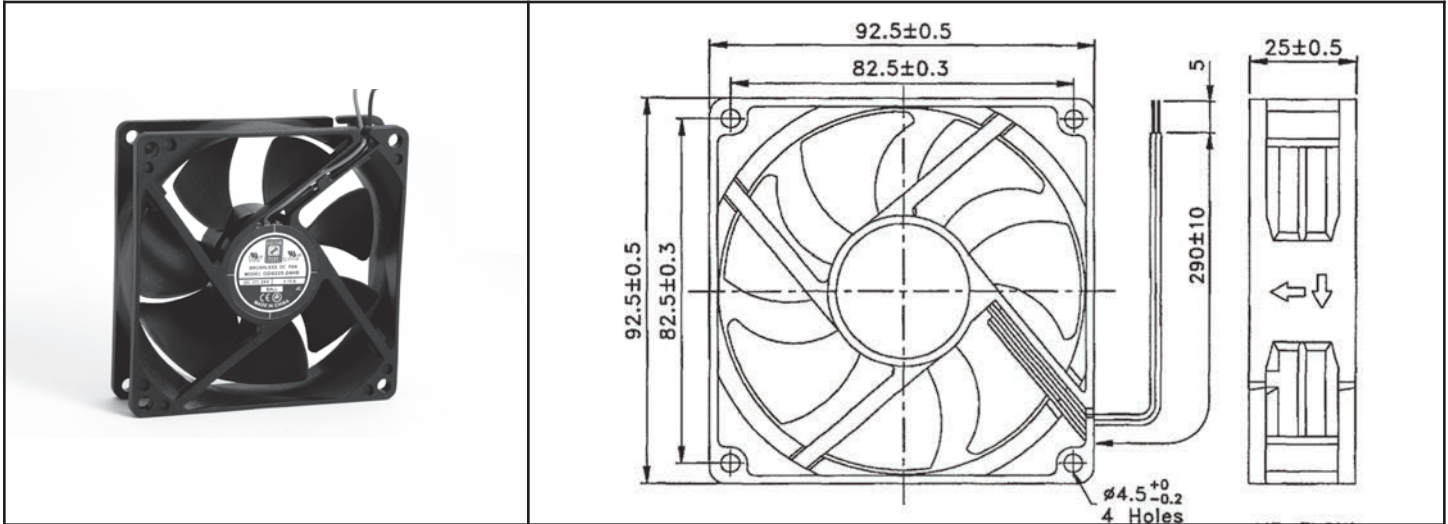
Model Number	Speed (RPM)	Airflow (CFM)	Noise (dB)	Volts DC	Input Power (Watts)	Amps	Max. Static Pressure (\"H ₂ O)
OD8025-12HHB	3400	44	40	12	2.16	0.23	0.19
OD8025-12HB	3100	40	35	12	1.8	0.18	0.15
OD8025-12MB	2500	31	28	12	0.96	0.13	0.10
OD8025-12LB	2100	26	23	12	0.60	0.09	0.07
OD8025-12LLB	1600	19	15	12	0.49	0.04	0.04
OD8025-24HB	3100	40	35	24	1.44	0.10	0.16
OD8025-24MB	2500	31	28	24	0.96	0.06	0.10
OD8025-24LB	2100	26	23	24	0.72	0.05	0.07

To indicate sleeve bearing replace "B" suffix with "S" in part number (30,000 hrs life expectancy)
 To indicate sealed sleeve bearing replace "B" with "SS" in part number (50,000 hrs life expectancy)

OD9225 Series



DC Fan - 12, 24, 48V
92x25 (3.62"x 1.00")



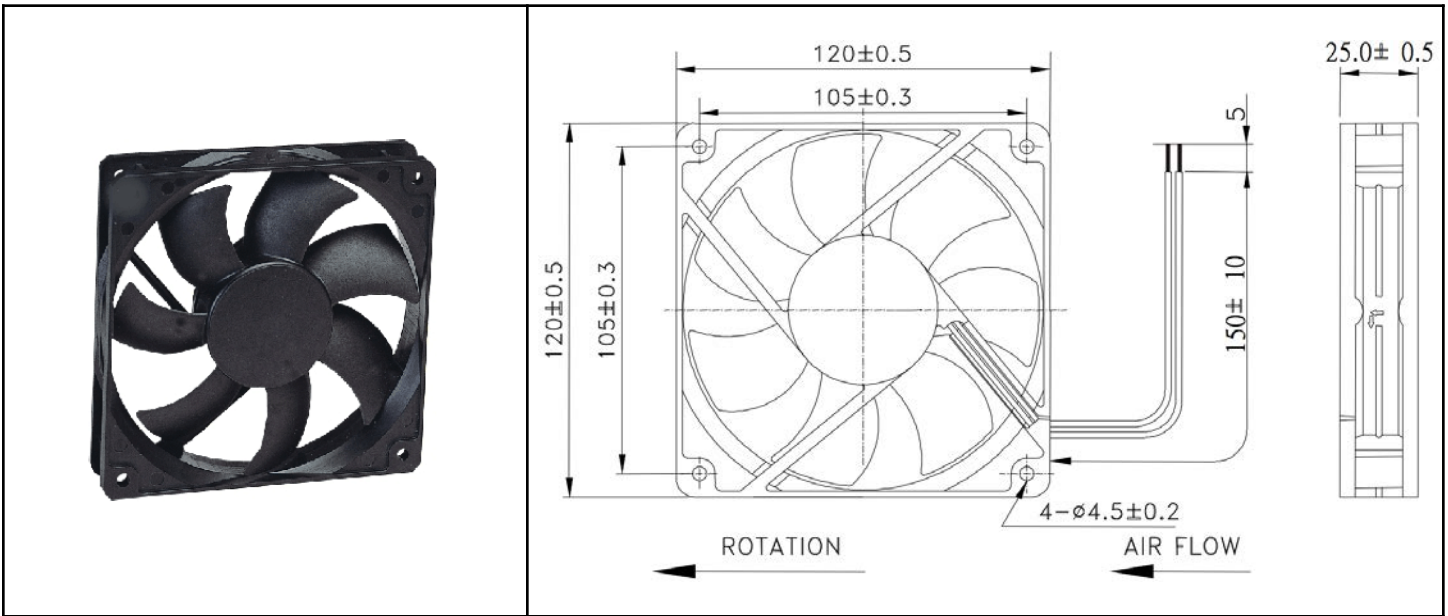
Frame & Impeller	PBT, UL94V-0 plastic	Available Options: Tachometer (FG) Alarm (RD) Thermal Control Sleeve Bearing 05V IP55 Life Expectancy (L10) Ball Bearing 60,000 hours (L10 at 40C) <u>Operating Temperature</u> Ball Bearing -10C ~ 70C Weight: ~0.22 lbs m1	
Connection	2x Lead wires		
Motor	Brushless DC, auto restart, polarity protected		
Bearing System	Dual Ball		
Insulation Resistance	10M ohm between leadwire and frame (500VDC)		
Dielectric Strength	1 minute at 500 VAC, max leakage < 500 MicroAmp		
Storage Temperature	-40C ~ +80C		

Model Number	Speed (RPM)	Airflow (CFM)	Noise (dB)	Volts DC	Voltage Range	Amps	Max. Static Pressure (\"H2O)
OD9225-12HHB	3300	60	40	12	10.8~13.2	0.29	0.17
OD9225-12HB	2900	53	35	12	10.8~13.2	0.24	0.13
OD9225-12MB	2400	44	31	12	10.8~13.2	0.15	0.09
OD9225-12LB	2100	39	28	12	10.8~13.2	0.10	0.07
OD9225-12LLB	1600	27	18	12	10.8~13.2	0.07	0.04
OD9225-24HB	2900	53	35	24	22.6~26.4	0.14	0.13
OD9225-24MB	2400	44	31	24	22.6~26.4	0.09	0.09
OD9225-24LB	2100	39	28	24	22.6~26.4	0.05	0.07
OD9225-48HB	2800	50	33	48	43.2~52.8	0.09	0.24

OD1225 Series



DC Fan - 12V, 24V
120x25mm (4.7"x 1.0")



Frame & Impeller	PBT, UL94V-O plastic	Available Options: Sleeve Bearing Ball Bearing Tachometer Alarm Thermal control PWM Input IP55 48V & 5V Life Expectancy (L10) 50,000+ hrs Operating Temperature -10 ~ 70C	
Connection	2x Lead wires 24AWG		
Motor	Brushless DC, auto restart, polarity protected		
Bearing System	Sealed Sleeve		
Insulation Resistance	10M ohm between leadwire and frame (500VDC)		
Dielectric Strength	1 second at 500 VAC, max leakage - 500 MicroAmp		

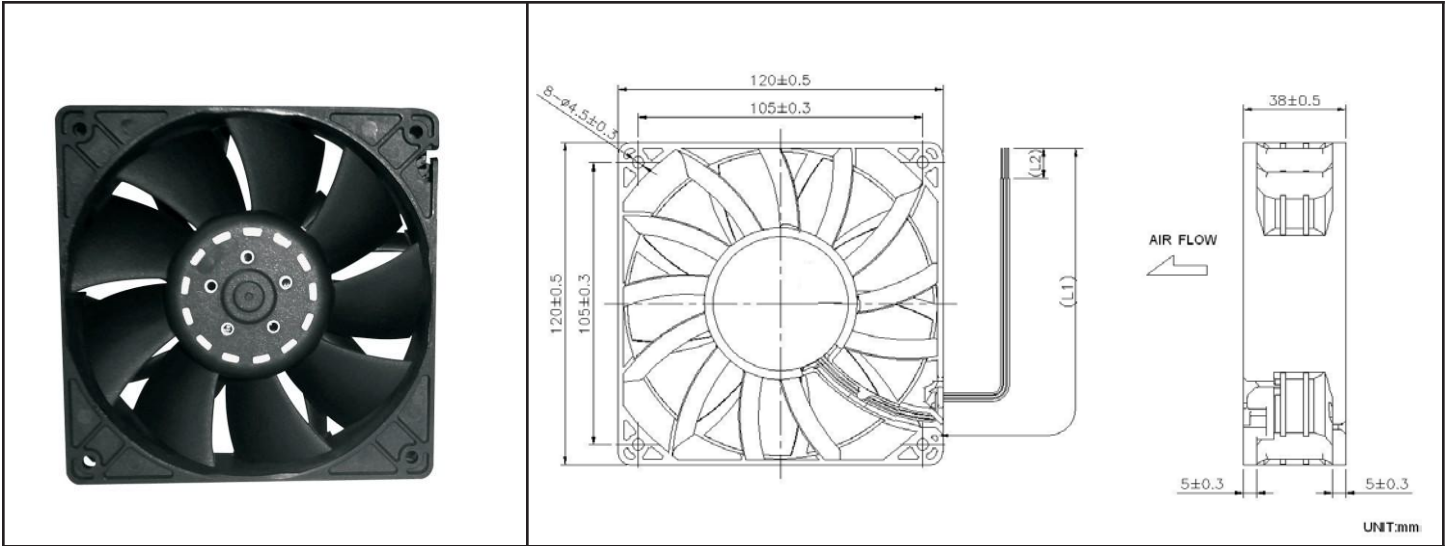
Model Number	OD1225-12HSS	OD1225-24HSS
Part Number	122143001	122243001
Nominal Voltage	12 VDC	24 VDC
Nominal Current	0.44	0.24 A
Rated Power	5.3 W	5.8 W
Rated Speed (RPM)	2200	2200
Airflow (CFM)	85	85
Noise Level (dB)	39	39
Max. Static Pressure	0.14" H ₂ O	0.14" H ₂ O

OD1238 XJ Series

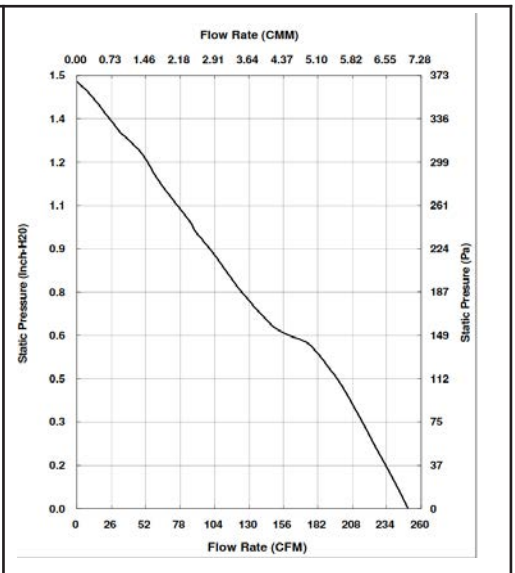


DC Fan 12V

120x38mm (4.7"x 1.5")

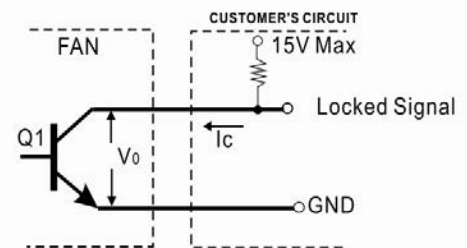


Frame & Impeller	PBT, UL94V-O plastic	Tachometer - Open Collector Weight: ~ 375 g * Connection UL1007, 24AWG, ~320mm Red (+) Black (-) White Tachometer
Conecion	3x Lead wires *	
Motor	Brushless DC, auto restart, polarity protected.	
Bearing System	Dual ball bearing	
Insulation Resistance	Min. 10M at 500VDC	
Dielectric Strength	1 minute at 500 VAC, max leakage < 500 MicroAmp	
Temperature Range	-10C ~ +70C	
Storage Temperature	-40C ~ +80C	
Life (L10)	70,000 hours (40C)	m1



Part Number	OD1238-12HBXJ01A
Nominal Voltage	12V DC
Voltage Range	7 ~ 13.2V DC
Rated Current	3.70 A
Rated Power	44.4 W
Rated Speed (RPM)	6000
Airflow (CFM)	250
Noise Level (dB)	69
Max. Static Pressure	1.48" H ₂ O

*Output type.....Open collector type
 *Electrical design suggestion:

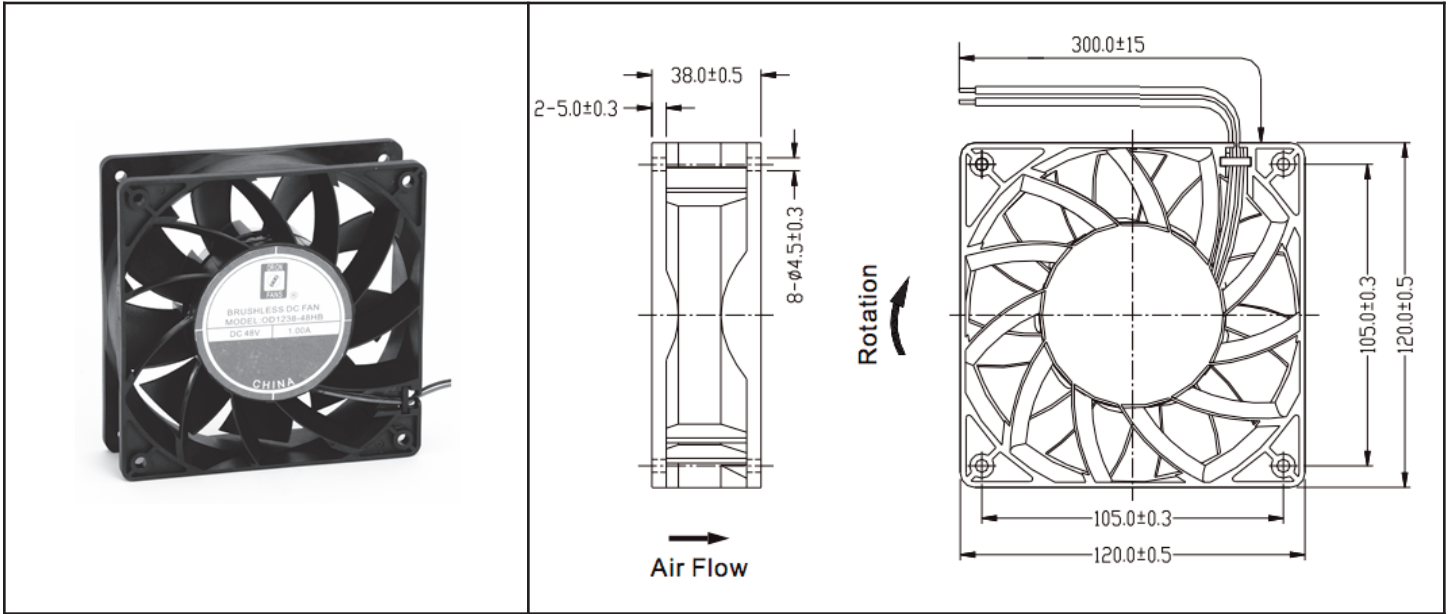


*Transistor Q1 at "ON" position
 Collector current.....I_c=10mA Max
 Saturation Voltage.....V_{OL}=1.0V Max
 (Between Collector and Emitter at I_c=10mA)
 *Transistor Q1 at "OFF" position
 Release Voltage.....V_{OH}=15V Max

OD1238 VA Series DC Fan Vane Axial High Pressure



High Performance DC Fan 12, 24, 48V
120x38mm (4.7"x 1.5")



Frame & Impeller	PBT, UL94V-0 plastic	Available Options: Tachometer Alarm Thermal Speed Control PWM IP55 Salt Fog Life Expectancy (L10) 65,000 hours (45C) Weight: ~0.78 lbs m4	
Connection	2x Lead wires 24AWG		
Motor	Brushless DC, auto restart, polarity protected		
Bearing System	Dual ball bearing		
Insulation Resistance	10M ohm between leadwire and frame (500VDC)		
Dielectric Strength	1 minute at 500 VAC, max leakage < 500 MicroAmp		
Temperature Range	-20C ~ +75C		
Storage Temperature	-40C ~ +80C		

Model Number	Speed (RPM)	Airflow (CFM)	Noise (dB)	Volts DC	Voltage Range	Amps	Max. Static Pressure ("H ₂ O)
OD1238-12HB-VXC	5000	226	65	12	6~14	3.6	1.35
OD1238-12MB-VXC	4000	189	59	12	6~14	2.0	0.85
OD1238-12LB-VXC	3000	140	52	12	6~14	1.5	0.46
OD1238-24HB-VXC	5000	226	65	24	12~28	1.7	1.35
OD1238-24MB-VXC	4000	189	59	24	12~28	1.1	0.85
OD1238-24LB-VXC	3000	140	52	24	12~28	0.6	0.46
OD1238-48HHB-VXC	6000	283	70	48	24~55	1.3	1.85
OD1238-48HB-VXC	5000	226	65	48	24~55	1.0	1.35
OD1238-48MB-VXC	4000	189	59	48	24~55	0.6	0.85
OD1238-48LB-VXC	3000	140	52	48	24~55	0.4	0.46