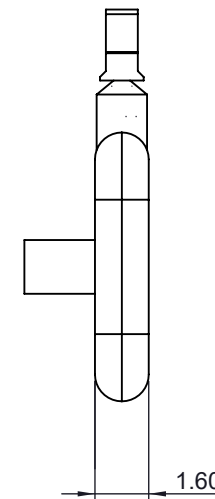
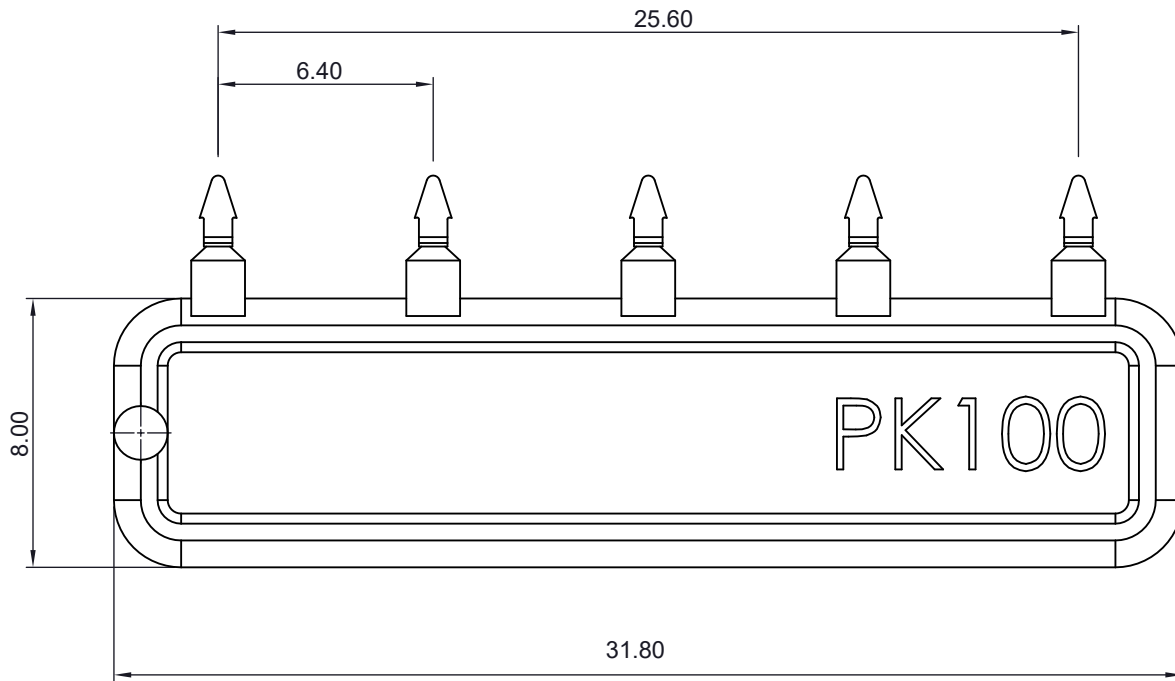
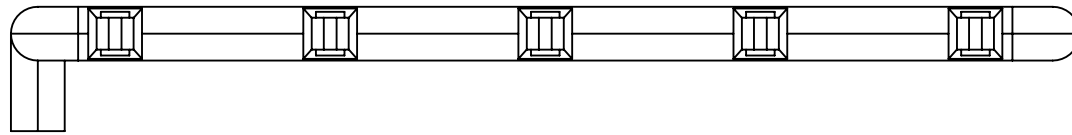


MAS-CON POLARIZING KEY, SERIES 100



NOTES:
 Material: PA6/6 (UL94 V-0)
 Packaging: 500pcs (100 Set) / Bag



PN: PK100-D

REV	DATE	NOTE	NAME
1	24.03.2021	issued	JAL