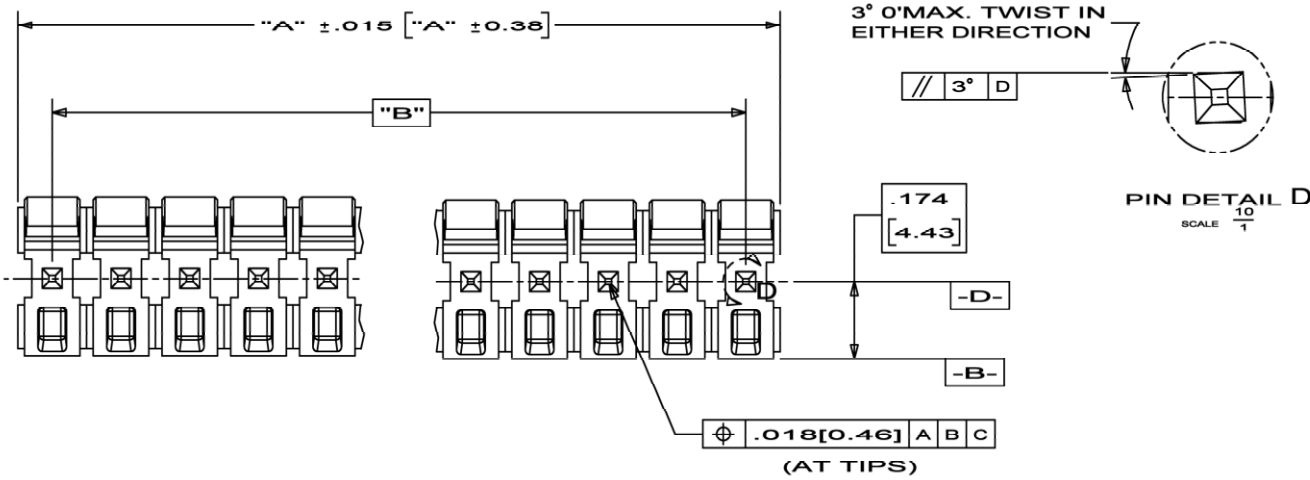


MAS-CON HEADER, Series 156, 3,69mm, 180° breakable, with locking, without polarization

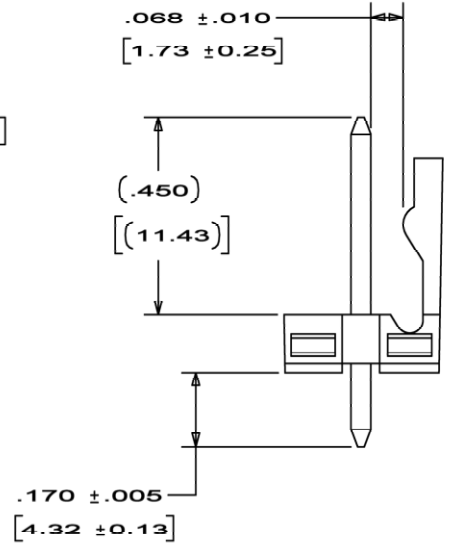
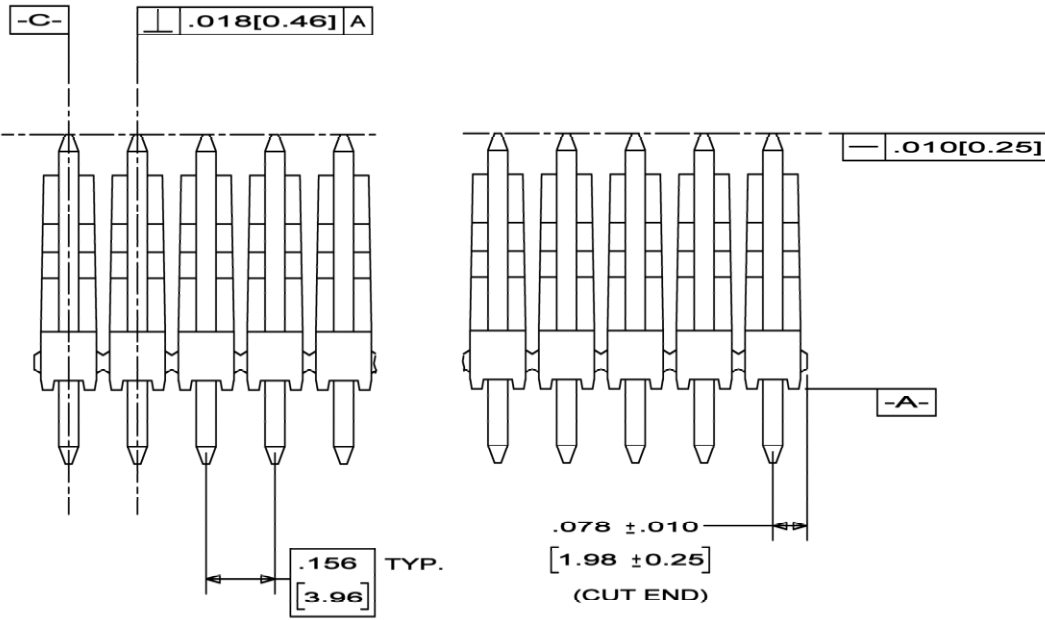


PART NUMBER SYSTEM

MLSS156-xx-yy

of POS. (2 THRU 24) ——— PIN PLATING

PACKAGING CODE:
D = 500 PCS FOR 2 THRU 5 POS.
C = 100 PCS FOR 6 THRU 24 POS.



# POS.	Dim. A	Dim. B
2	0,312 [7,92]	0,156 [3,96]
3	0,468 [11,89]	0,312 [7,92]
4	0,624 [15,85]	0,468 [11,89]
5	0,780 [19,81]	0,624 [15,85]
6	0,936 [23,77]	0,780 [19,81]
7	1,092 [27,74]	0,936 [23,77]
8	1,248 [31,70]	1,092 [27,74]
9	1,404 [35,66]	1,248 [31,70]
10	1,560 [39,62]	1,404 [35,66]
11	1,716 [43,59]	1,560 [39,62]
12	1,872 [47,55]	1,716 [43,59]
13	2,028 [51,51]	1,872 [47,55]
14	2,184 [55,47]	2,028 [51,51]
15	2,340 [59,44]	2,184 [55,47]
16	2,496 [63,40]	2,340 [59,44]
17	2,652 [67,36]	2,496 [63,40]
18	2,808 [71,32]	2,652 [67,36]
19	2,964 [75,29]	2,808 [71,32]
20	3,120 [79,25]	2,964 [75,29]
21	3,276 [83,21]	3,120 [79,25]
22	3,432 [87,17]	3,276 [83,21]
23	3,588 [91,14]	3,432 [87,17]
24	3,744 [95,10]	3,588 [91,14]

REV	DATE	NOTE	NAME
1	27.07.2020	issued	JAL