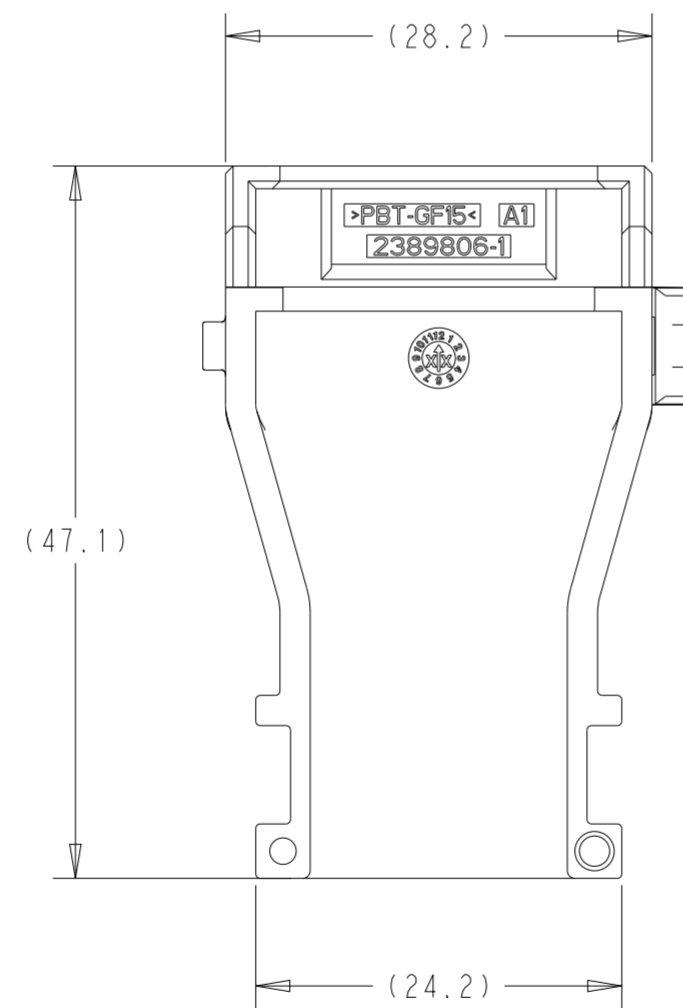
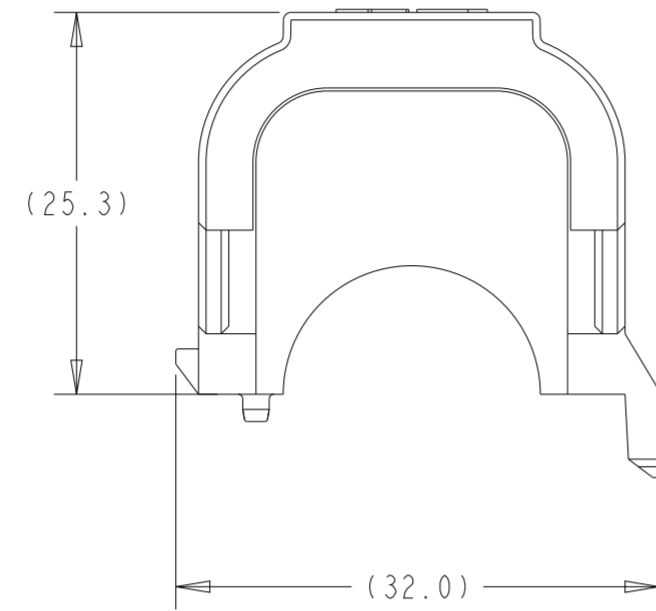
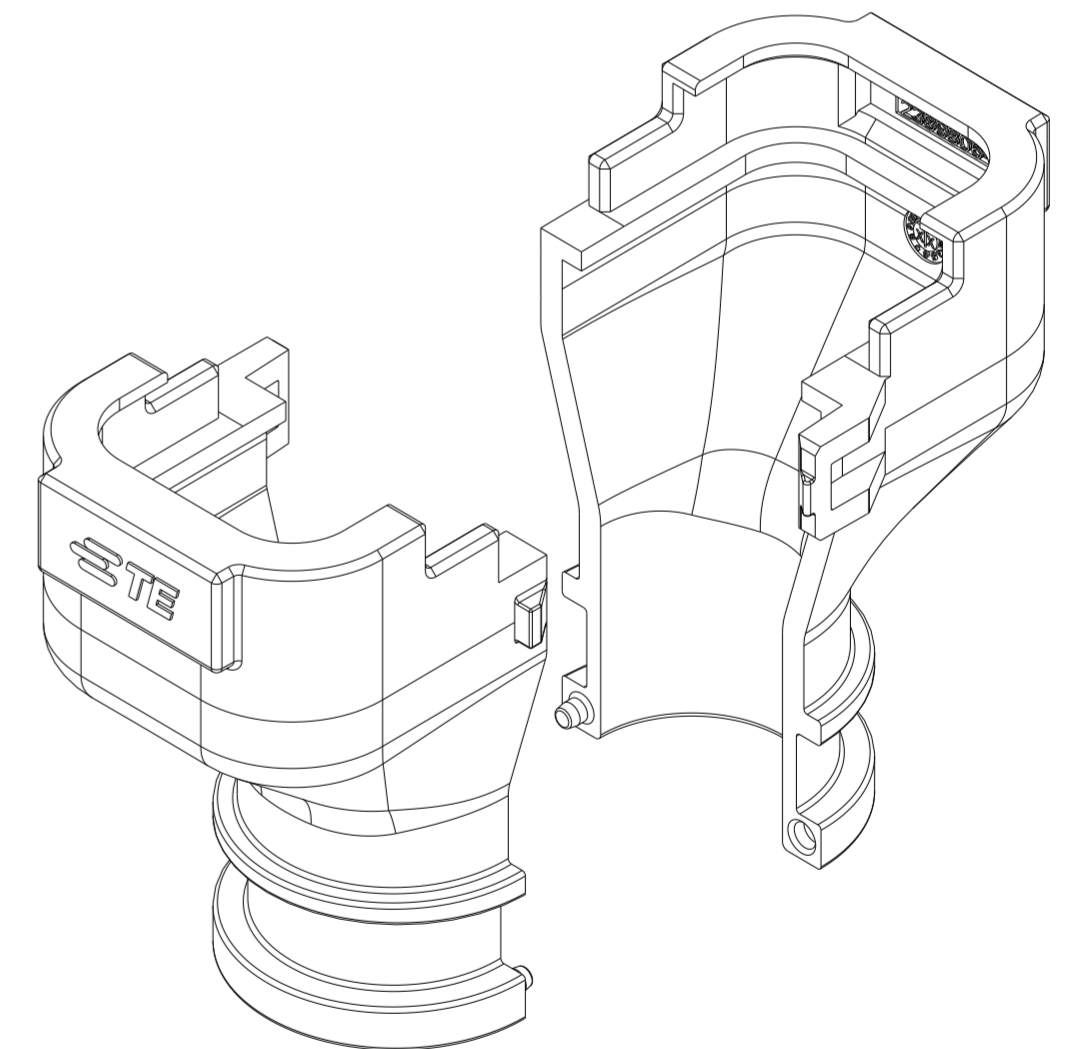


REVISIONS					
P	LTR	DESCRIPTION	DATE	DWN	APVD
A		INITIAL RELEASE PER ECN-22-151822	02MAY2022	FC	DK



- 1 MATERIAL: PBT, 15% GLASS FILLED, COLOR: BLACK
- 2. USED WITH 23 POSITION AMPSEAL PLUG ASSEMBLY 770680
- 3. TWO PIECES REQUIRED PER ASSEMBLY
- 4. A WIRE TIE IS RECOMMENDED AROUND THE WIRE EXIT END OF THE BACKSHELL TO AID IN SECURING THE TWO HALVES TOGETHER



2389806-1
PART NO

THIS DRAWING IS A CONTROLLED DOCUMENT.		DWN F COLTA 02MAY2022	STE TE Connectivity		
DIMENSIONS:		CHK D KELLER 02MAY2022			
mm	TOLERANCES UNLESS OTHERWISE SPECIFIED:	APVD C BHATT 02MAY2022	NAME	WIRE RELIEF	
0 PLC ±	1 PLC ±	PRODUCT SPEC	23 POSITION, AMPSEAL		
2 PLC ±	3 PLC ±	108-160593	SIZE	CAGE CODE	DRAWING NO
4 PLC ±	ANGLES ±	114-16016	A2	-	C-2389806
MATERIAL	FINISH	WEIGHT	SCALE	SHEET	OF
1	-	6.9g	2:1	1	1
CUSTOMER DRAWING			REV	A	