

ECN/PCN No.: M1390

For Manufacturer		
Product Description: 10/100 Base-Tx Single Port, Traditional SMD LAN Transformer	Abracon Part Number / Part Series: <p style="text-align: center;">ALANS100X1</p>	<input type="checkbox"/> Documentation only <input checked="" type="checkbox"/> Series <input checked="" type="checkbox"/> ECN <input type="checkbox"/> Part Number(s) <input type="checkbox"/> EOL
Affected Revision: <p style="text-align: center;">B</p>	New Revision: <p style="text-align: center;">C</p>	Application: <input type="checkbox"/> Safety <input checked="" type="checkbox"/> Non-Safety

Prior to Change:

1.0 Key Standard Electrical Specifications @ 25°C

Part Number	Insertion Loss (dB Max)	Return Loss (dB Min)				Crosstalk (dB Min)			CMRR (dB Min)			DCMR (dB Min)		
	0.1-100 MHz	1-40 MHz	60 MHz	80 MHz	100 MHz	30 MHz	60 MHz	100 MHz	30 MHz	60 MHz	100 MHz	30 MHz	60 MHz	100 MHz
ALANS100X1-1E10	0.8	18	14	12	10	42	37	33	40	35	30	47	40	33
ALANS100X1-1E30	0.8	18	14	12	10	42	37	33	40	35	30	47	40	33
ALANS100X1-1E02	0.8	18	14	12	10	42	37	33	40	35	30	47	40	33
ALANS100X1-1E00	0.8	18	14	12	10	42	37	33	40	35	30	47	40	33
ALANS100X1-1E82	0.8	18	14	12	10	42	37	33	40	35	30	47	40	33
ALANS100X1-2F10	0.8	18	14	12	10	42	37	33	40	35	30	47	40	33
ALANS100X1-2F30	0.8	18	14	12	10	40	35	30	40	35	30	47	40	33
ALANS100X1-2F02	0.8	18	14	12	10	42	37	33	40	35	30	47	40	33
ALANS100X1-2F00	0.8	18	14	12	10	42	37	33	40	35	30	47	40	33
ALANS100X1-2F82	0.8	18	14	12	10	40	35	30	40	35	30	47	40	33

Part Number	Inductance (μH Min)	Leakage Inductance (μH Max)	Interwinding Capacitance (pF Max)	DC Resistance (Ω Max)		Hi Pot (VDC)
	@100kHz, 0.1V, 8mA DC Bias	@100kHz, 0.1V, Td to Mx	@100kHz, 0.1V, Td to Mx	Primary	Secondary	0.5mA/60 sec.
ALANS100X1-1E10	350	0.35	35	0.9	1.2	2250
ALANS100X1-1E30	350	0.35	35	0.9	1.2	2250
ALANS100X1-1E02	350	0.35	35	0.9	1.2	2250
ALANS100X1-1E00	350	0.35	35	0.9	1.2	2250
ALANS100X1-1E82	350	0.35	35	DCR(5-6):1.2	DCR(1-2,11-12,7-8):0.9	2250
ALANS100X1-2F10	350	0.35	35	0.9	1.2	2250
ALANS100X1-2F30	350	0.35	35	0.9	1.2	2250
ALANS100X1-2F02	350	0.35	35	0.9	1.2	2250
ALANS100X1-2F00	350	0.35	35	0.9	1.2	2250
ALANS100X1-2F82	350	0.35	35	DCR(7-8):1.2	DCR(1-2,16-15,10-9):0.9	2250

7.0 Options and Part Identification

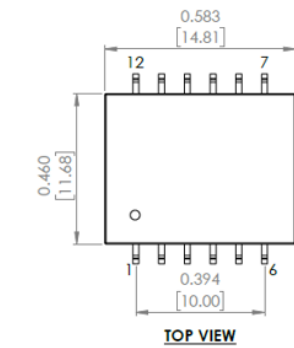
ALANS100X1- [] [] [] []

Package Size	Schematic		Operating Temp.	Packaging
1: 12-pin	12 Pin	16 Pin	E: 0°C ~ +70°C	B: Bulk
2: 16-pin	E10	F10	D: -40°C ~ +85°C	T: Tape and Reel**
	E30	F30	J: -40°C ~ +105°C	
	E02	F02	K: -40°C ~ +125°C	
	E00	F00	*L: -55°C ~ +125°C	
	*E82	*F82		

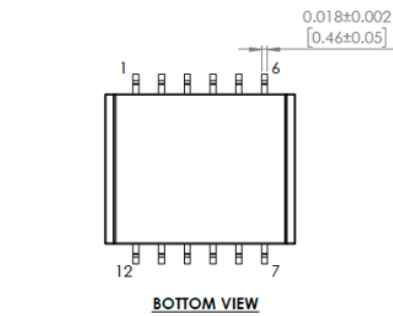
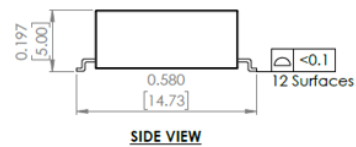
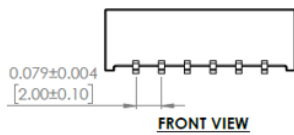
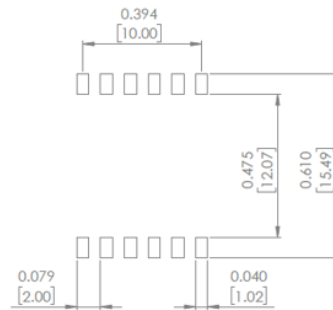
**Package size "1: 12-Pin": T= 400 pcs/reel
 **Package size "2: 16-pin": T= 700 pcs/reel

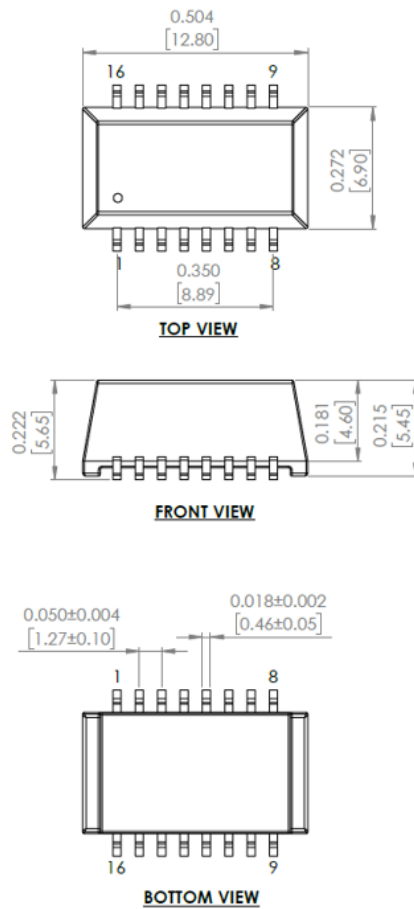
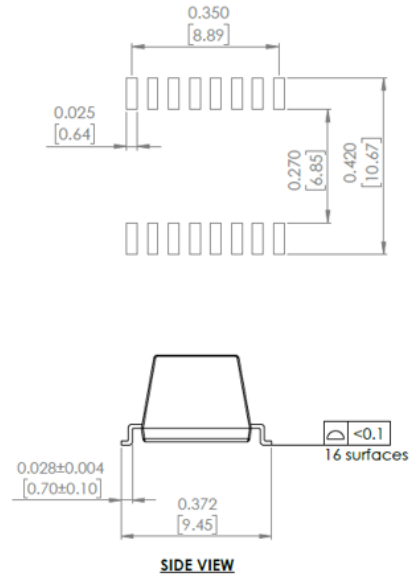
*Operating temp. option L not available for schematic options E82 and F82

1: 12-pin



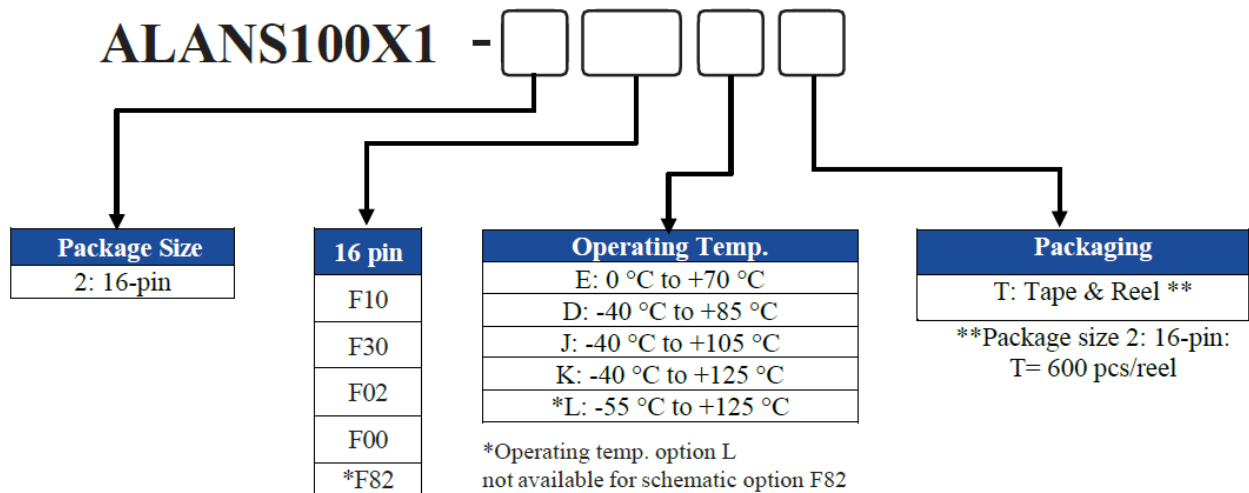
RECOMMENDED LAND PATTERN



2: 16-pin

RECOMMENDED LAND PATTERN

After Change:
1.0 Key Standard Electrical Specifications @ 25°C

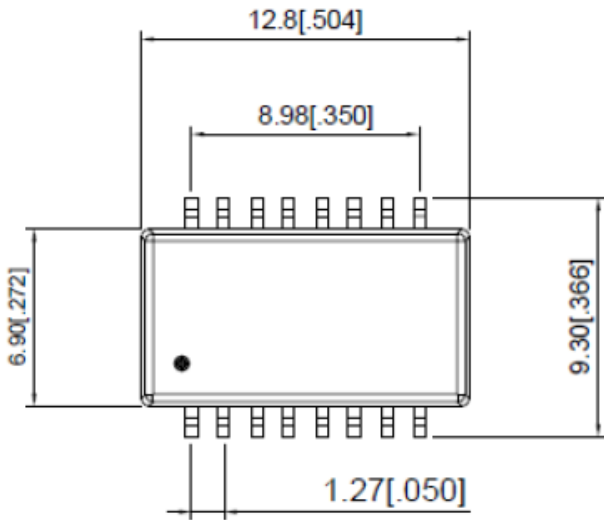
Part Number	Insertion Loss (dB Max)	Return Loss (dB Min)				Crosstalk (dB Min)			CMRR (dB Min)			DCMR (dB Min)		
	0.1-100 MHz	1-40 MHz	60 MHz	80 MHz	100 MHz	30 MHz	60 MHz	100 MHz	30 MHz	60 MHz	100 MHz	30 MHz	60 MHz	100 MHz
ALANS100X1-1E10	0.8	18	14	12	10	42	37	33	40	35	30	47	40	33
ALANS100X1-1E30	0.8	18	14	12	10	42	37	33	40	35	30	47	40	33
ALANS100X1-1E02	0.8	18	14	12	10	42	37	33	40	35	30	47	40	33
ALANS100X1-1E00	0.8	18	14	12	10	42	37	33	40	35	30	47	40	33
ALANS100X1-1E82	0.8	18	14	12	10	42	37	33	40	35	30	47	40	33
ALANS100X1-2F10	0.8	18	14	12	10	42	37	33	40	35	30	47	40	33
ALANS100X1-2F30	0.8	18	14	12	10	40	35	30	40	35	30	47	40	33
ALANS100X1-2F02	0.8	18	14	12	10	42	37	33	40	35	30	47	40	33
ALANS100X1-2F00	0.8	18	14	12	10	42	37	33	40	35	30	47	40	33
ALANS100X1-2F82	0.8	18	14	12	10	40	35	30	40	35	30	47	40	33

Part Number	Inductance (μH Min)	Leakage Inductance (μH Max)	Interwinding Capacitance (pF Max)	DC Resistance (Ω Max)		Hi Pot (VDC)
	@100kHz, 0.1V, 8mA DC Bias	@100kHz, 0.1V, Td to Mx	@100kHz, 0.1V, Td to Mx	Primary	Secondary	0.5mA/60 sec.
ALANS100X1-1E10	350	0.35	35	0.9	1.2	2250
ALANS100X1-1E30	350	0.35	35	0.9	1.2	2250
ALANS100X1-1E02	350	0.35	35	0.9	1.2	2250
ALANS100X1-1E00	350	0.35	35	0.9	1.2	2250
ALANS100X1-1E82	350	0.35	35	DCR(5-6):1.2	DCR(1-2,11-12,7-8):0.9	2250
ALANS100X1-2F10	350	0.35	35	0.9	1.2	2250
ALANS100X1-2F30	350	0.35	35	0.9	1.2	2250
ALANS100X1-2F02	350	0.35	35	0.9	1.2	2250
ALANS100X1-2F00	350	0.35	35	0.9	1.2	2250
ALANS100X1-2F82	350	0.35	35	DCR(7-8):1.2	DCR(1-2,16-15,10-9):0.9	2250

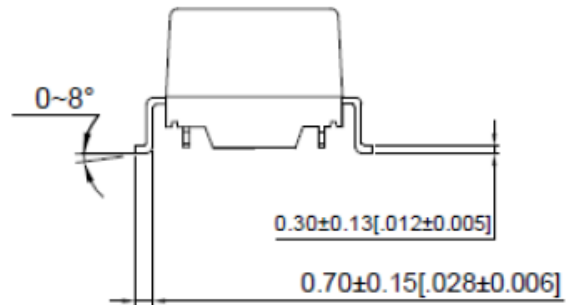
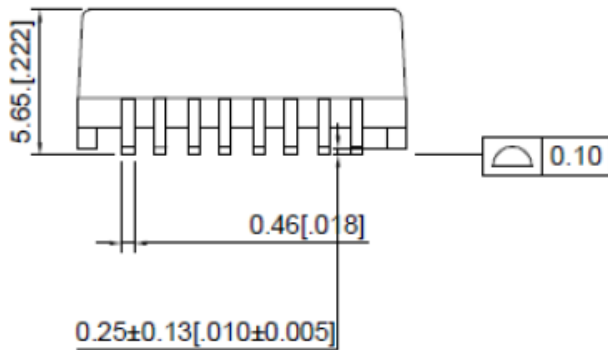
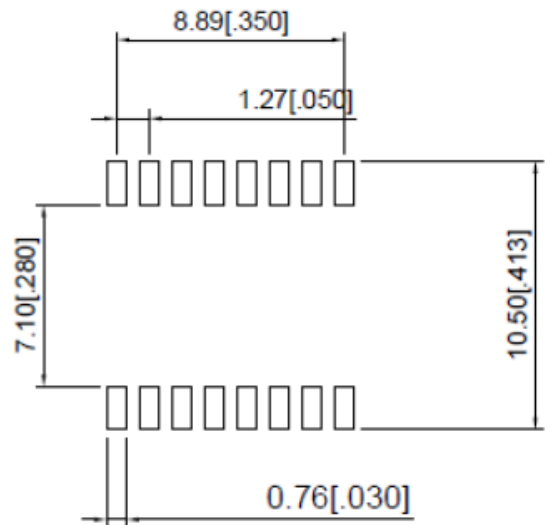
Part Identification


Mechanical Dimensions

16-pin



SUGGESTED PAD LAYOUT



Cause/Reason for Change:

Moving to new production line. Removing unpopular larger 12-pin devices from series. Note change in pcs/reel.

The following device have been EOL'd:

ALANS100X1-1E10

ALANS100X1-1E30

ALANS100X1-1E02

ALANS100X1-1E00

ALANS100X1-1E82

Change Plan

Effective Date:

9/19/2022

Additional Remarks:
Change Declaration:

Changes described in this document do not change the products form, fit of function. This applies to all remaining ALANS100X1-2FXX parts in the series.

Issued Date:

9/19/2022

Issued By:

Gerald Capwell

Issued Department:

Engineering

Approval:

Syed Raza
Engineering VP

Approval:

Reuben Quintanilla
Quality Director

Approval:

Ying Huang
Purchasing Director

For Abracon EOL only

Last Time Buy (if applicable):

04/14/2023

Alternate Part Number / Part Series:
Additional Approval:
Additional Approval:
Additional Approval:

Customer Approval (If Applicable)

Qualification Status:

Approved Not accepted

Note: It is considered approved if there is no feedback from the customer 1 month after ECN/PCN is released.

Customer Part Number:
Customer Project:
Company Name:
Company Representative:
Representative Signature:
Customer Remarks: