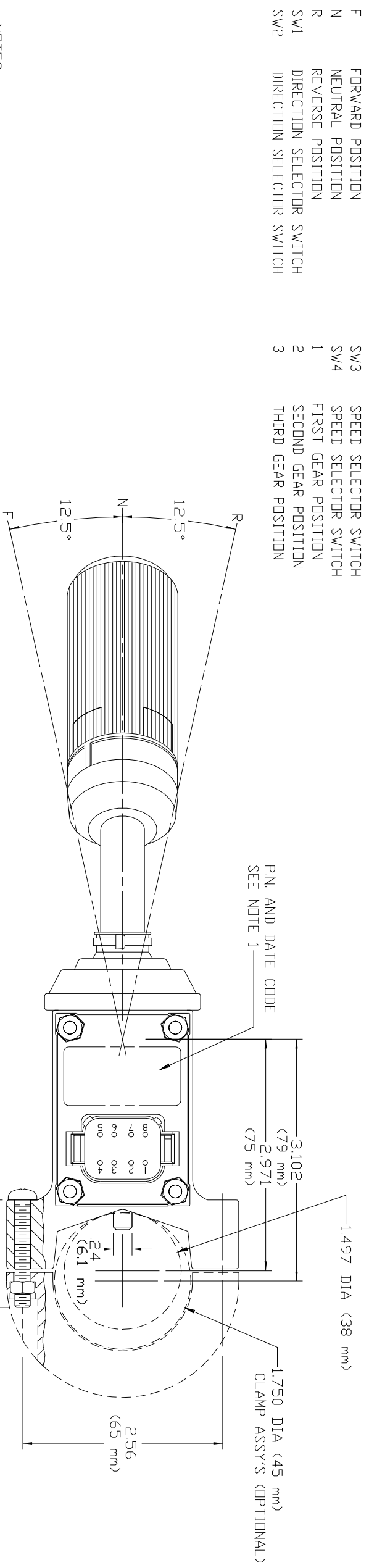
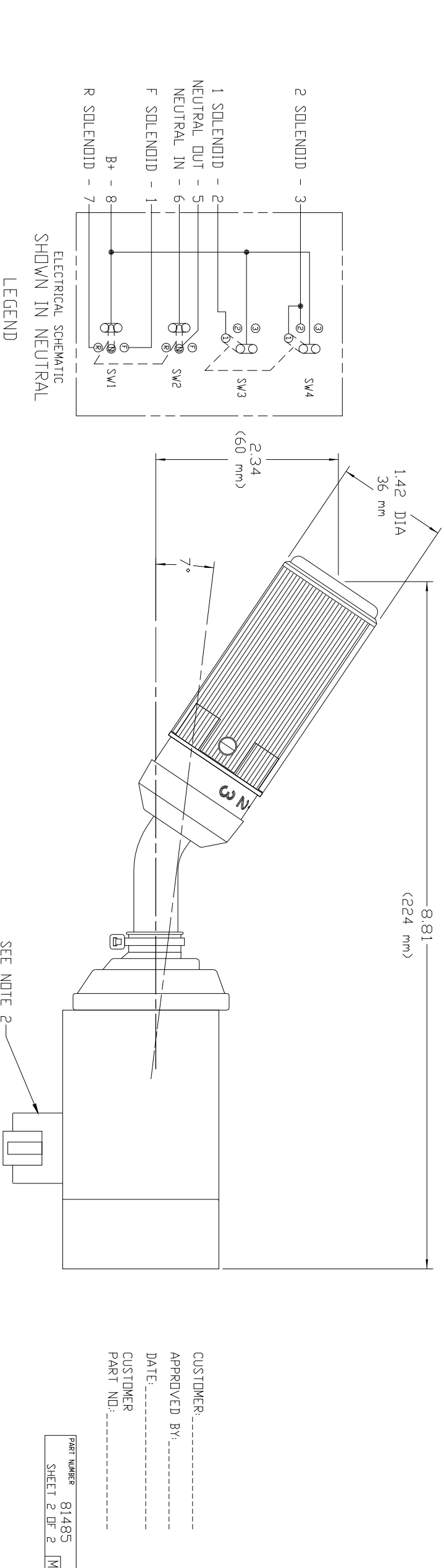
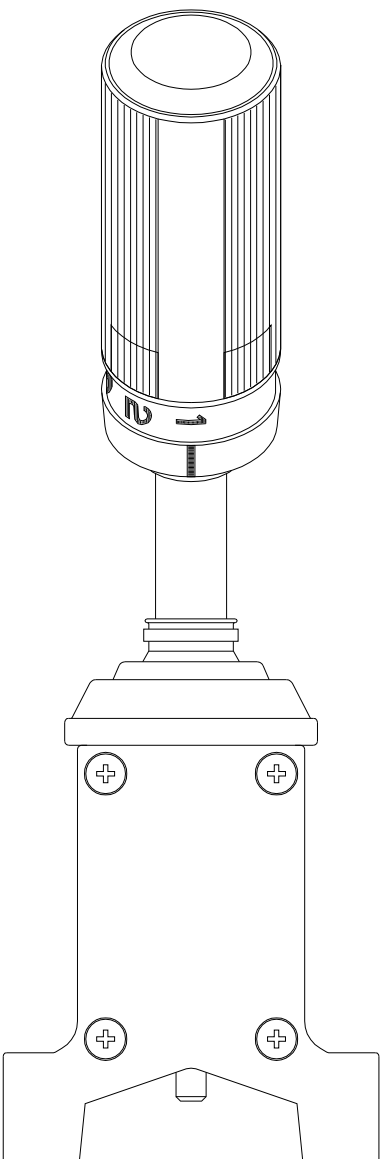


PART NUMBER	81485	REV.	D
SHEET 2 OF 2	M		
DESCRIPTION OF CHANGE			
APPD	REV.	DATE	PCN NO.
D		20Mo,03	33582
			RF
RELEASED FOR PRODUCTION			



- NOTES:
1. CUSTOMER OR HONEYWELL HOBBS P/N, CHANGE NO. AND DATE CODE TO BE STAMPED IN AREA SHOWN.
  2. A. MATING CONNECTOR-DEUTSCH DT06-085  
B. CONNECTOR WEDGE-DEUTSCH W85  
C. CONNECTOR TERMINAL-DEUTSCH 1062-16-0122  
D. SEALING PLUG-DEUTSCH 114017

<b>Honeywell Hobbs</b>		SPRINGFIELD, IL U.S.A.		NAME	
DRAWN	RF	CHECKED		SHIFTER ASSY	
CONFIDENTIAL AND PROPRIETARY INFORMATION. DIMENSIONS ARE FOR REFERENCE ONLY UNLESS OTHERWISE SPECIFIED.				3X F-N-R SHIFTER	
DATE	25JUN96	SCALE	1:1	MATERIAL	FINISH
DD	DDT	SCALE			
PART NUMBER			81485		
SHEET 2 OF 2			M		