


MODEL: CMS-28588N-L152 | **DESCRIPTION:** SPEAKER

FEATURES

- miniature speaker
- 550 Hz resonant frequency
- Nd-Fe-B magnet


SPECIFICATIONS

| parameter | conditions/description | min | typ | max | units |
|-------------------------|----------------------------------------------------------------------------|-----|-----|--------|--------------|
| input power | maximum power: IEC-60268-5, filter 60s on/120s off, 10 cycles at room temp | | 2.0 | 2.5 | W |
| impedance | at 2.0 kHz, 1.0 V | 6.8 | 8 | 9.2 | Ω |
| resonant frequency (Fo) | at 1.0 V | 440 | 550 | 660 | Hz |
| frequency response | output SPL -10 dB | Fo | | 20,000 | Hz |
| sound pressure level | at 1.0 W, 0.1 m ave, at 0.8, 1.0, 1.2, 1.5 kHz | 96 | 99 | 102 | dB |
| | at 2.0 W, 0.5 m ave, at 0.8, 1.0, 1.2, 1.5 kHz | 85 | 88 | 91 | dB |
| distortion | at 1.0 kHz, 1.0 W | | | 10 | % |
| buzz, rattle, etc. | must be normal at sine wave between Fo ~ 20,000 Hz | | 4.0 | | V |
| dimensions | \varnothing 28 x 5.5 | | | | mm |
| magnet | Nd-Fe-B | | | | |
| material | SPCC | | | | |
| cone material | mylar | | | | |
| terminal | wire leads | | | | |
| weight | | | 7.6 | | g |
| operating temperature | | -20 | | 55 | $^{\circ}$ C |
| storage temperature | | -30 | | 70 | $^{\circ}$ C |
| RoHS | 2011/65/EU | | | | |

Notes: 1. All specifications measured at 5~35 $^{\circ}$ C, humidity at 45~85%, under 86~106 kPa pressure, unless otherwise noted.

SOLDERABILITY

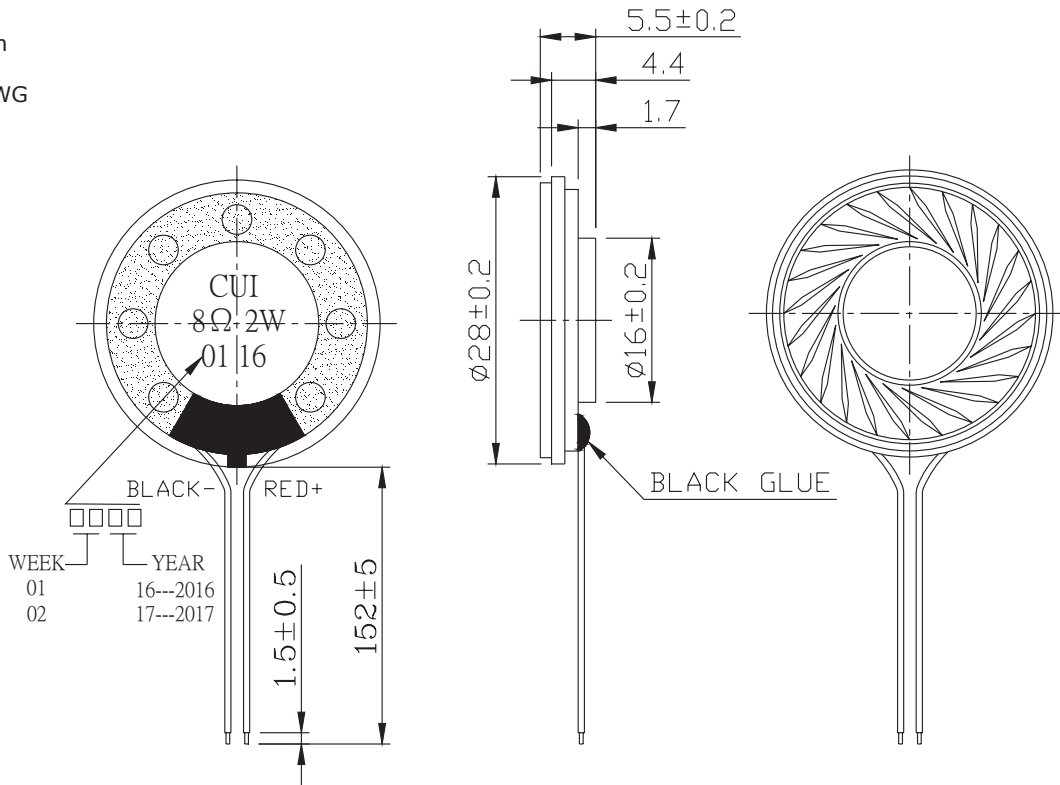
| parameter | conditions/description | min | typ | max | units |
|----------------|------------------------|-----|-----|-----|--------------|
| hand soldering | for maximum 3 seconds | 370 | 380 | 390 | $^{\circ}$ C |

MECHANICAL DRAWING

units: mm

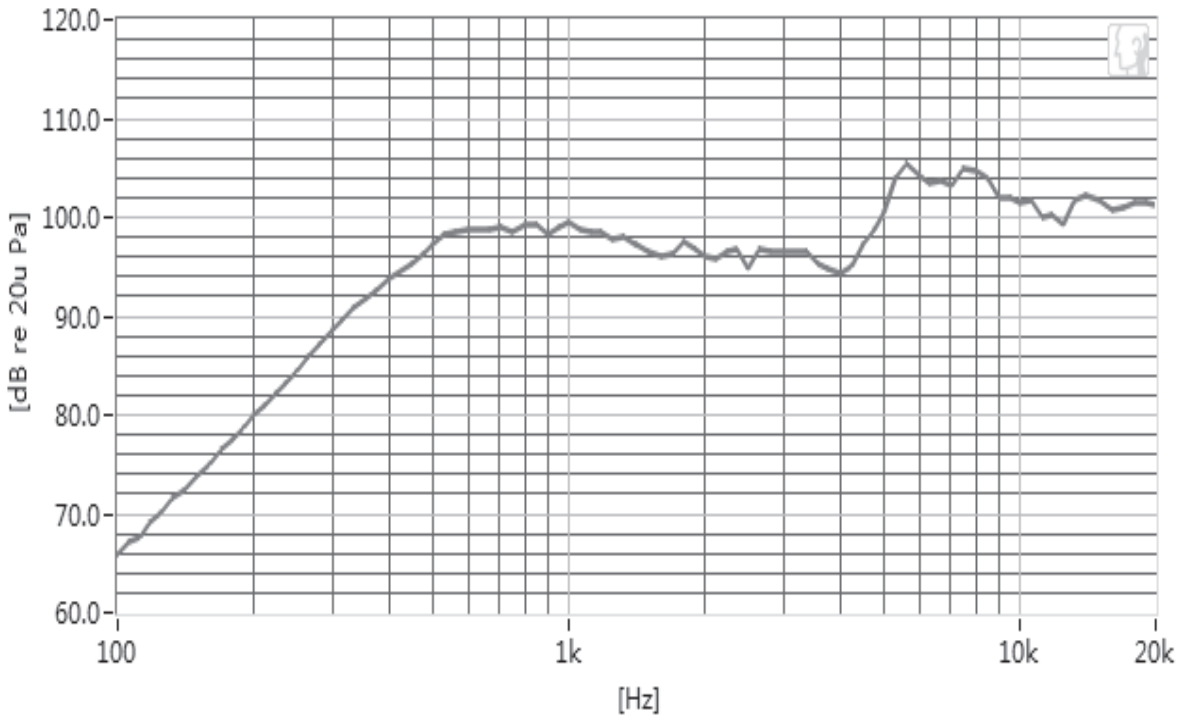
tolerance: ± 0.2 mm

wire: UL1007 28 AWG



FREQUENCY RESPONSE CURVE

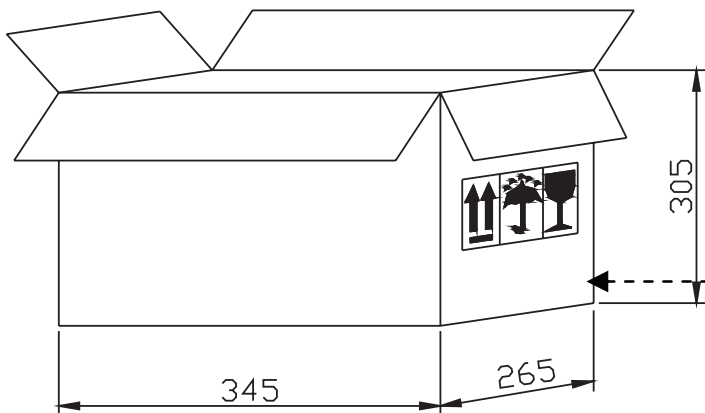
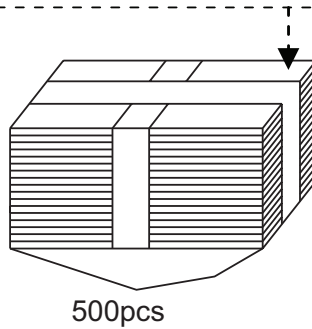
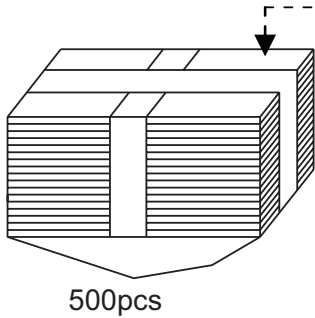
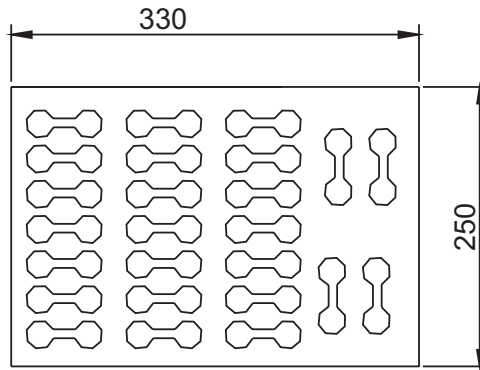
Frequency Response.Magn dB re 20.00μ PA AT 1 W / 0.1 m




PACKAGING

units: mm

Tray Size: 330 x 250 x 13 mm
 Carton Size: 345 x 265 x 305 mm
 Tray QTY: 50 pcs per tray
 Carton QTY: 1,000 pcs per carton



| | |
|-----------|------------------------------------------------------------------------------------------------|
| Lot No. | XXXXXXXXXX |
| Model No. | CUI Inv#. XXXXXXXXXXXX CUI Part#. XXXXXXXXXXXX |
| Quantity. | XXXX Pcs |
| Date: | DD MM YY  |
| | MADE IN CHINA |
| | CUI Inc |

* The label stuck on inner boxes and the outer of carton.

REVISION HISTORY

| rev. | description | date |
|------|-----------------|------------|
| 1.0 | initial release | 06/28/2016 |

The revision history provided is for informational purposes only and is believed to be accurate.



Headquarters
20050 SW 112th Ave.
Tualatin, OR 97062
800.275.4899

Fax 503.612.2383
cui.com
techsupport@cui.com

CUI offers a one (1) year limited warranty. Complete warranty information is listed on our website.

CUI reserves the right to make changes to the product at any time without notice. Information provided by CUI is believed to be accurate and reliable. However, no responsibility is assumed by CUI for its use, nor for any infringements of patents or other rights of third parties which may result from its use.

CUI products are not authorized or warranted for use as critical components in equipment that requires an extremely high level of reliability. A critical component is any component of a life support device or system whose failure to perform can be reasonably expected to cause the failure of the life support device or system, or to affect its safety or effectiveness.