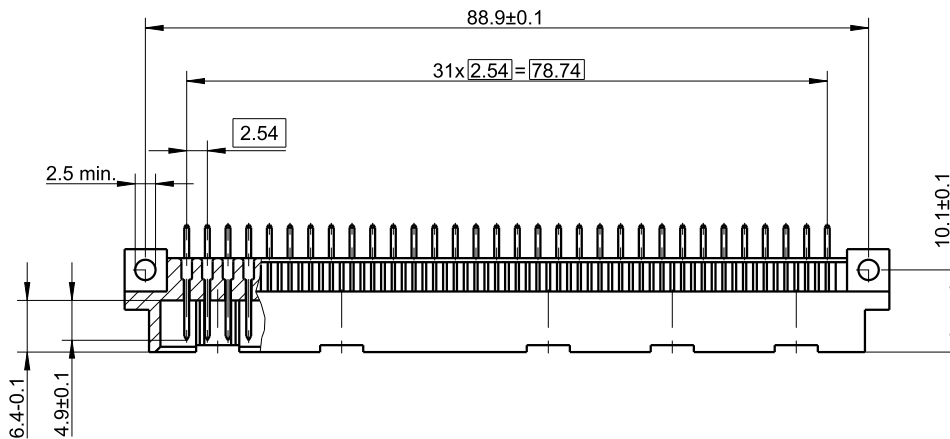
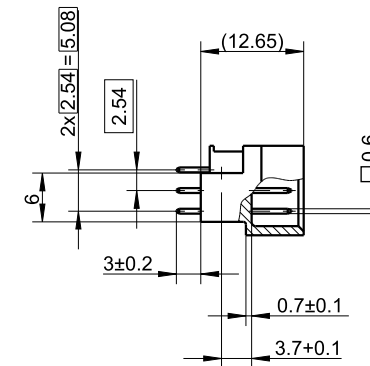
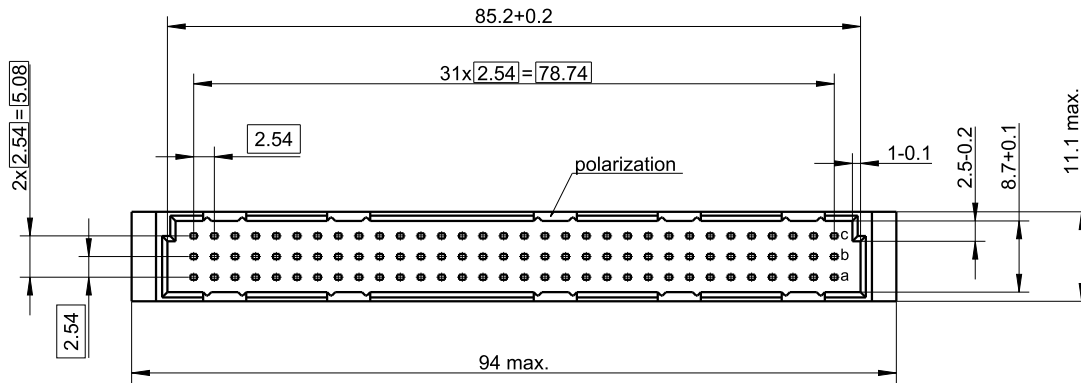
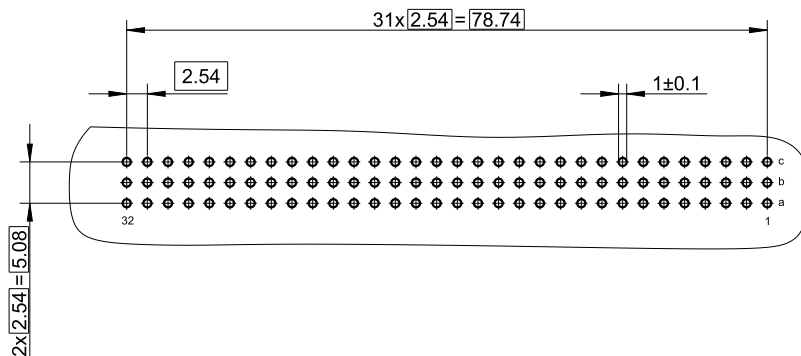
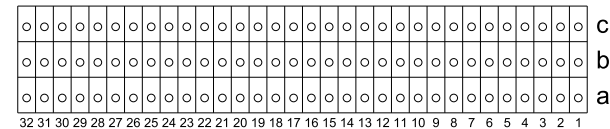


# HI-Con header; straight; type C; solder pin 3.0mm; 96 contacts; class 2



C96M a,b,c

○ Kontakt / Contact



## 100-096-133

Technische Änderungen vorbehalten  
all data subject to amendment without notice

REV	DATE	NOTE	NAME
2	23.02.2022	revised	PER
1	04.01.2022	issued	PER