

RELAYS AND CONTACTORS

General Purpose Relays-Type 91

Type 91



Sec.	STANCOR PART NUMBER	Pole Form	Coil Voltage	Circuit Rating Terminals		Power Rating		DIMENSIONS-INCHES			Weight (oz.)	Agency * Certification	
				1-2-3	4-5-6	Inductive	Resistive	L	Case W	H			
A	91-901	DPDT	24	Power		12 Amp. Continuous 60 Amp. Inrush 125 V.A.C.	15 Amp. 277 V.A.C. Max.	1.90	2.10	2.40	6.0	UL/CSA	
	91-902	DPDT	120	Power				6 Amp. Continuous 35 Amp. Inrush 250 V.A.C.	1.90	2.10	2.40	6.0	UL/CSA
	91-903	DPDT	208/240	Power					1.90	2.10	2.40	6.0	UL/CSA

* Agency Certification Note: UL Recognized (File E12139)
CSA Certified (File LR 13360)

For schematic diagram and outline drawings refer to page 63.

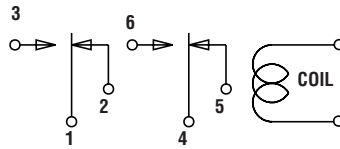


Engineering Design Data

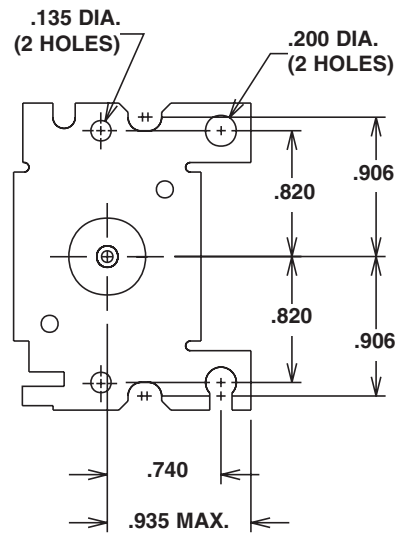
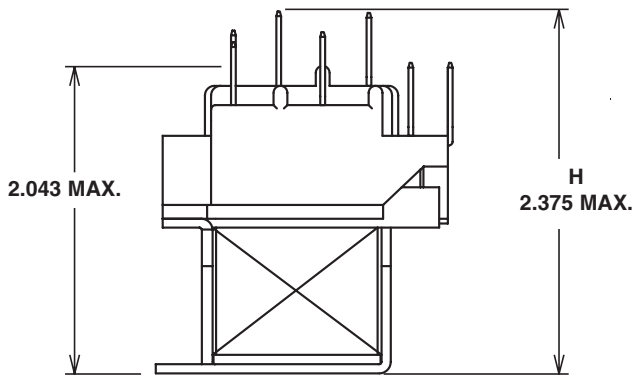
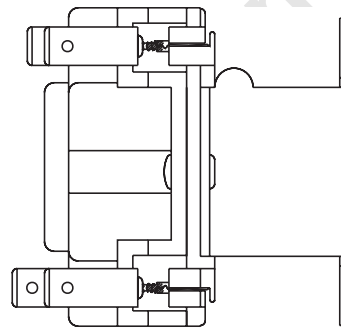
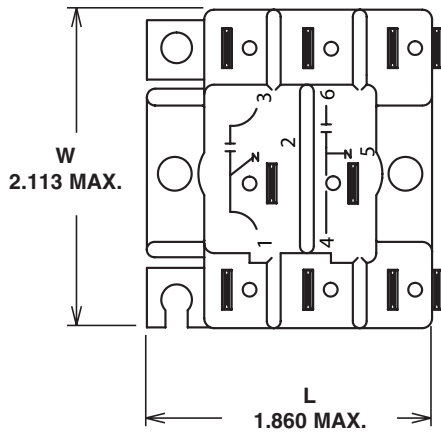
A.C. Type	Magnet Coil Rating (Volt Amperes)			Operation in % Nom. Coil Voltage Rating		Breakdown Voltages All Terminals - 60 Hz RMS			Contact Material		Electrical Life		Mechanical Life		Max. Oper. Amb. °F
	Inrush	Sealed Nom.	Sealed Max.	Pick-up	Max. Safe Operate	Opposite Polarity	Open Contacts Same Polarity	To Ground	Power	Pilot	Oper. At Rated Load	Oper. Per Min.	Oper. At No Load	Oper. Per Min.	
91	24	8	10	85%	110%	1500	1000	1500	Silver Alloy	Fine Silver Alloy	100,000†	6	750,000	60	130

† Load tests – making inrush ratings (0.4 to 0.5 P.F.) – breaking 125% continuous rating (0.65 to 0.8 P.F.)

**Schematic
91 DPDT**



Type 91



BOTTOM VIEW