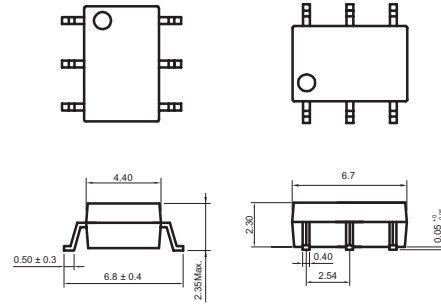


Features

1. Normally open, single pole single throw.
2. Control 200VAC or DC voltage.
3. Switch 180mA loads.
4. LED control current, 5mA.
5. Low ON-resistance.
6. dv/dt, >500V/mS.
7. Isolation test voltage, 1500VRMS.
8. Package Type: SOP(Shown)

Part Numbering System & Part Marking System: Page 3 & 4.

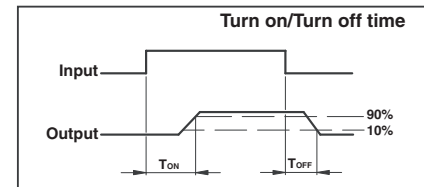
WPPM-0626S



Absolute Maximum Ratings

(Ta = 25°C)

Emitter (Input)	Detector(Output)
Reverse Voltage.....5.0V	Output Breakdown Voltage±60V
Continuous Forward Current50mA	Continuous Load Current±400mA
Peak Forward Current1A	Power Dissipation500mW
Power Dissipation100mW	
Derate Linearly from 25°C.....1.3mW/°C	
General Characteristics	
Isolation Test Voltage.....1500VRMS	Storage Temperature Range ...-40°C to +150°C
Isolation Resistance, V _{IO} = 500V, T _A = 25°C.....>10 ¹⁰ Ω	Operating Temperature Range ...-40°C to +85°C
	Junction Temperature100°C
Total Power Dissipation550mW	Soldering Temperature,
Derate Linearly from 25°C.....2.5mW/°C	2mm from case, 10 sec.260°C



Electro-optical Characteristics

(Ta = 25°C)

Parameter	Symbol	Conditions	Min.	Typ.	Max.	Unit	
<i>Emitter (Input)</i>							
Forward Voltage	V _F	I _F = 10mA	-	1.2	1.5	V	
Operation Input Current	I _{FON}	V _L = ±20V, I _L = 100mA, t = mS	-	-	5	mA	
Recovery Input Current	I _{FOFF}	V _L = ±20V, I _L = <5uA	0.2	-	-	mA	
<i>Detector(output)</i>							
Output Breakdown Voltage	V _B	I _B = 50uA	60	-	-	V	
Output Off-State Leakage	I _{TOFF}	V _T = 100V, I _F = 0mA	-	0.2	1	uA	
I/O Capacitance	C _{ISO}	I _F = 0, f = 1MHz	-	0.8	-	pF	
ON Resistance	Connection	A	I _L = 100mA, I _F = 10mA	-	0.83	2.50	Ω
		B		-	0.44	1.25	
		C		-	0.25	0.63	
Turn-On Time	T _{ON}	I _F = 10mA, V _L = ±20V	-	0.2	1.5	mS	
Turn-Off Time	T _{OFF}	t = 10mS, I _L = ±100mA	-	0.3	1.5	mS	

MOS Relay Schematic and Wiring Diagrams

Type	Schematic	Output Configuration	Load	Connection	Wiring Diagrams
0626S		1a	AC/DC	A	
			DC	B	
			DC	C	

Data Curves

