

**PLEASE CHECK WWW.MOLEX.COM FOR LATEST PART INFORMATION**

**Part Number:** [1200850014](#)  
**Status:** **Active**  
**Overview:** Brad® Ultra-Lock® Connection System  
**Description:** Ultra-Lock (M12) Single Keyway with PG9 Cable Fitting, Female, 5 Pole, Straight, Cable Diameter 4.10-8.10mm

**Documents:**

[Drawing \(PDF\)](#) [RoHS Certificate of Compliance \(PDF\)](#)

**General**

Product Family	Field Attachable / Accessories
Series	<a href="#">120085</a>
Approvals	N/A
IP Rating	IP69K
Material - Contact	Brass
Overview	<a href="#">Brad® Ultra-Lock® Connection System</a>
Product Name	Ultra-Lock (M12)
Type	Field Attachable Connector
UPC	78678897652

**Physical**

Cable Diameter	4.10 - 8.10mm (.161-.319")
Coupling Type	Push to Lock
Diagnostics / LEDs	No
Diagnostics Port	No
Gender	Female
Keyway	Single
Material - Connector Body	PA
Material - Coupling Nut	Nickel-plated Brass
Material - Plating Mating	Gold over Nickel
Orientation	Straight
Poles	5
Temperature Range - Operating	-25°C to +90°C
Wire Size AWG	18

**Electrical**

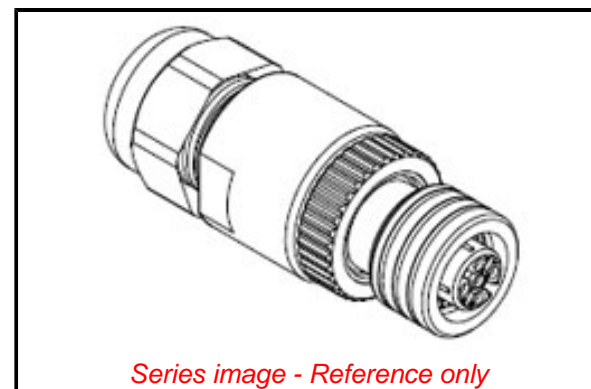
Current - Maximum per Contact	4.0A
Voltage - Maximum	30V AC / 36V DC

**Material Info**

Engineering Number	WA5000-32
--------------------	-----------

**Reference - Drawing Numbers**

Sales Drawing	SD-120085-005
---------------	---------------



*Series image - Reference only*

**EU ELV**

**Not Reviewed**

**EU RoHS**

**Not Reviewed**

**REACH SVHC**

Not Reviewed

**Halogen-Free**

**Status**

**Not Reviewed**

**Need more information on product environmental compliance?**

Email [productcompliance@molex.com](mailto:productcompliance@molex.com)  
Please visit the [Contact Us](#) section for any non-product compliance questions.

China ROHS	Not Reviewed
ELV	Not Reviewed
RoHS Phthalates	Not Reviewed

**Search Parts in this Series**

[120085 Series](#)