

PLEASE CHECK WWW.MOLEX.COM FOR LATEST PART INFORMATION

Part Number: [1301180023](#)
Status: **Active**
Overview: Aero-Motive Box-Track Festoon Systems
Description: Box Track, Festoon Intermediate Car - 5412

Documents:

[RoHS Certificate of Compliance \(PDF\)](#)

General

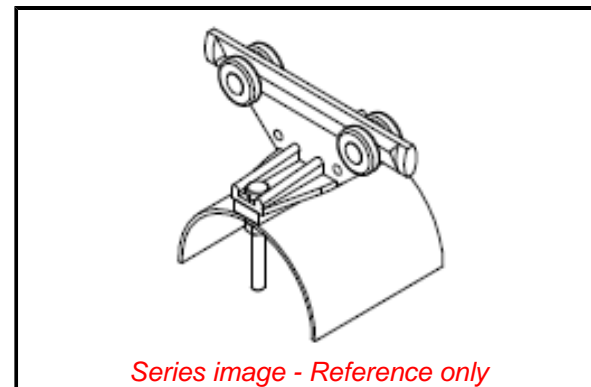
Product Family	Festoons
Series	130118
Cable Height - Maximum	11.43mm (.450")
Cable Width - Maximum	59.00mm (2.320")
Combined Cable Weight-Max./Car	24.95kg (55.0 lb)
Component Type	Car - Intermediate
Depth	89.92mm (3.540")
Duty	Standard - 25kg per Car
Exclude SD Check	Yes
Height	144.78mm (5.700")
Length	194.82mm (7.670")
Overview	<u>Aero-Motive Box-Track Festoon Systems</u>
Product Name	Aero-Motive
Type	Box Track
UPC	78678863196

Physical

Material - Coating	Zinc
Material - Metal	Galvanized Steel
Material - Wheel	Steel - Sealed Ball Bearing
Net Weight	752.140/g
Number of Cars	1
Packaging Type	Individual Carton
Saddle Radius	100.08mm (3.940")
Thread Size	N/A
Wire/Cable Type	Flat

Material Info

Engineering Number	54121
--------------------	-------



Series image - Reference only

EU ELV

Not Relevant

EU RoHS

Not Relevant

REACH SVHC

Not Reviewed

Halogen-Free

Status

Not Relevant

For more information, please visit [Contact US](#)

China ROHS

Not Relevant

ELV

Not Relevant

RoHS Phthalates

Not Reviewed

Search Parts in this Series

[130118 Series](#)