

PLEASE CHECK WWW.MOLEX.COM FOR LATEST PART INFORMATION

Part Number: [1300130203](#)
Status: **Active**
Overview: Brad Mini-Change Connectors
Description: Mini-Change A-Size Receptacle, 3 Poles, 1/2" NPT Threads, Male (Straight) to 16 AWG Leads, 3.66m (12.0') Length

Documents:

[Drawing \(PDF\)](#) [RoHS Certificate of Compliance \(PDF\)](#)

Agency Certification

CSA LR6837
 UL E258922

General

Product Family Industrial Receptacles
 Series [130013](#)
 IP Rating IP67
 NEMA Rating NEMA 6
 Overview [Brad Mini-Change Connectors](#)
 Product Name Mini-Change
 Type Single Ended (pigtail)
 UPC 78678838619

Physical

Coupling Type External Thread
 Gender Male
 Keyway Single
 Length 3.66m
 Material - Component PVC
 Mounting Thread Size 1/2" NPT
 Net Weight 56.699g
 Orientation Straight
 Panel Mount Front
 Poles 3
 Temperature Range - Operating -20°C to +105°C
 Wire Size AWG 16
 Wire/Cable Type UL 1015

Electrical

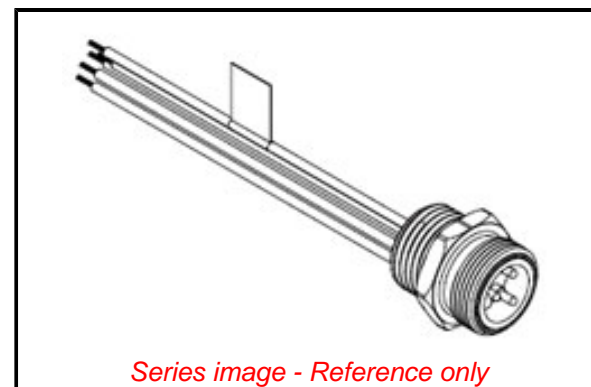
Current - Maximum per Contact 13.0A
 Voltage - Maximum 600V

Material Info

Engineering Number 1R3006A20A1201

Reference - Drawing Numbers

Sales Drawing 1300130203-000



Series image - Reference only

EU ELV

Not Relevant

EU RoHS

Compliant with Exemption 6(c)

REACH SVHC

Not Contained Per - ED/71/2019 (16 July 2019)

Halogen-Free

Status

Not Reviewed

For more information, please visit [Contact US](#)

China ROHS

50 Image

ELV

Not Relevant

RoHS Phthalates

Not Contained

Search Parts in this Series

130013 Series