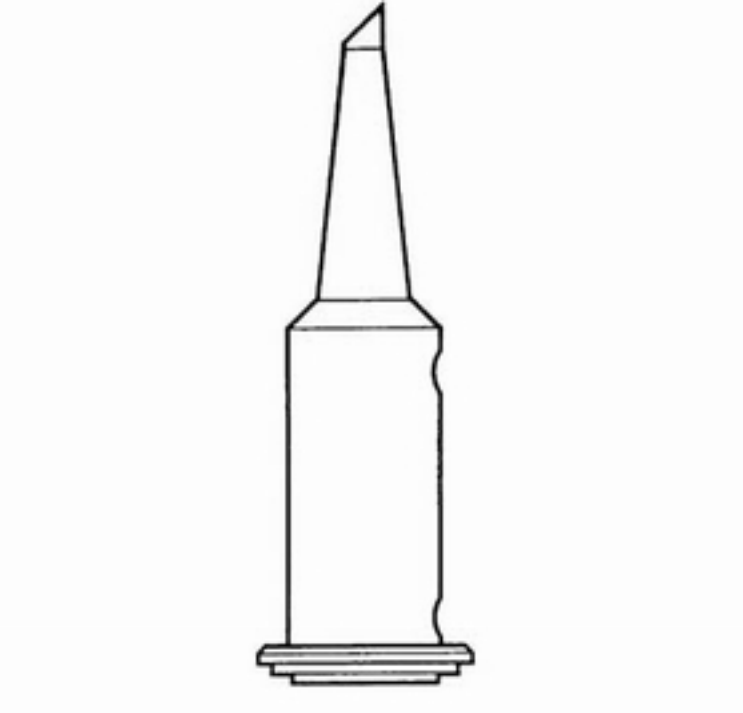


.094" Single Flat Tip for PSI 100 Portasol® Butane Soldering Iron

◀ previous print close next ▶



Product Details	
Catalog No.	PSI2
UPC Code	037103062659
Fits Tool(s)	PSI 100
Tip Style	Single Flat
Tip Width O/D	.093 in./ 2.36 mm
Reach	.64 in./16.26 mm
Temperature Range	850° F
Packaging	Peg Hook/Retail Packaging
Literature	55921.pdf
Tech. Spec.	Solder_Safety_Warnings.pdf
Lineart	PSI2.pdf
Low Res. Image	PSI2_100.jpg
High Res. Image	PSI2_300.jpg
Stock Item	Normal Stock Item

Package Details (Dimensions)

[Email this Page](#)

Product Features:

- For PSI 100 Portasol® butane soldering iron