

Home >

KIT,SOLDER GUN,75W,SENSORMATIC

Catalog Number: 7200PKS

Availability: **Out of Stock - Where to****Buy**

Add to Wishlist

Download Images

Share

[Request a Demo](#)


Features

Specifications

Product Support

Reviews | Questions

Material ID	7200PKS
Wattage	75 W
Temperature Range	1050F
Voltage Input	120 V
Set	Yes
Supplied Tip(s)	7235
Style Type	Soldering Gun
Packaging	No
Package Length	2.50 in
Package Width	9.70 in
Package Height	8.80 in
Package Gross Weight	1.65 lb
UPC	037103136657
Country of Origin	Mexico
Foreign Trade Code	8515110000

Recently Viewed Products



TOOL FOR NT TIP
58751710

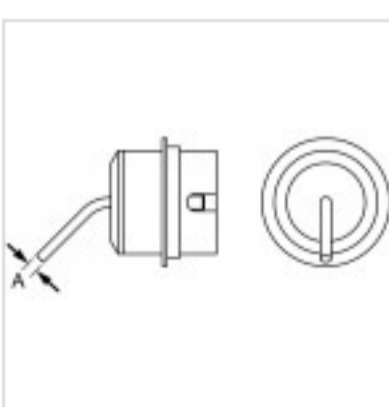
[Add to Cart](#)
[Add to Wishlist](#)


HEATING ELEMENT DXV
80

Out of Stock - Where to Buy

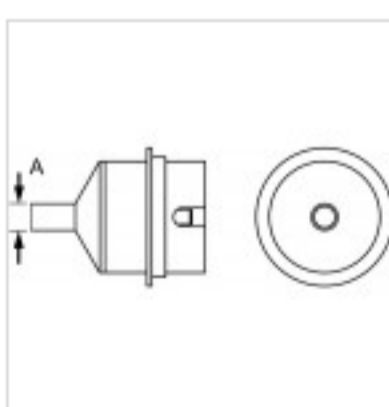
[Add to Wishlist](#)


CLOSING VALVE DSV-80
SP 58741783

[Add to Cart](#)
[Add to Wishlist](#)


NR02 HOTGAS-NOZZLE
1,5X45GR

Out of Stock - Where to Buy

[Add to Wishlist](#)


NR05 HOTGAS-NOZZLE

Out of Stock - Where to Buy

[Add to Wishlist](#)