

Other conductor connectors

Shield connection terminals KLBÜ

Overview

F.2 - F.3

For 10 x 3 mm busbars

Clamping yoke F.4 - F.5
Busbarholders F.6 - F.7

Mounting directly on metal plate

Clamping yoke F.8
Busbar holder, Spacer F.9

Mounting on TS 35

FM 4-foot / Clamping yoke holder F.10

For C-profiles

Clamping yoke F.11

Multipin terminal strips

For direct mounting

Screw connection F.12 - F.15
Screw connection, ATEX approval F.16 - F.17

Components for installation

Overview

F.18

Junction box terminals

F.19

Lamp terminals

F.20

Euro terminals

F.21

Busbars / mounting rails

Busbar systems

Busbars, Busbar holders F.22 - F.23
Tension clip, uninsulated / insulated F.24 - F.25

Mounting rail system

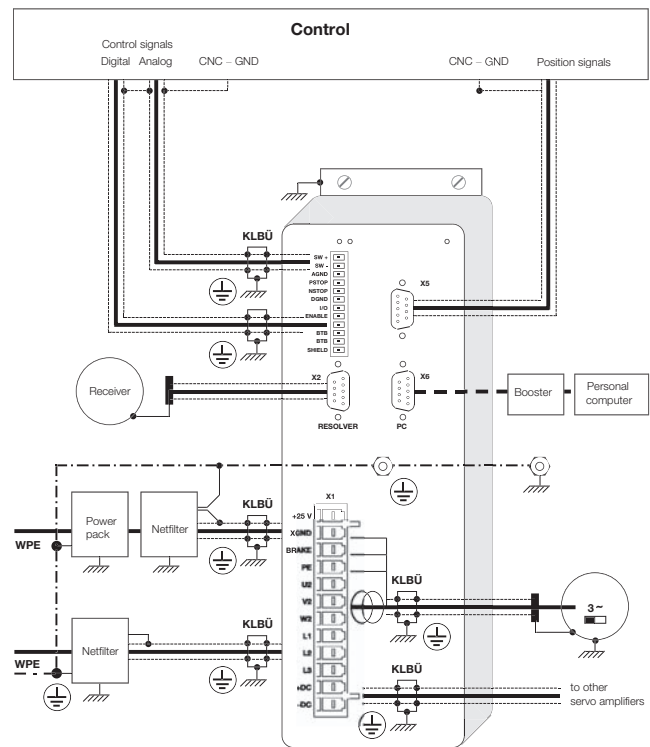
Overview F.26 - F.27
Mounting rails TS15, TS 32, TS 35 F.28 - F.29
End holders F.30
Mounting rail supports, Mounting feet F.31
RailMate, mounting rail systems F.32 - F.34

The theoretical concept

Part 1 of the VDE 0133 standard specifies the required equipotential bonding for the electrical components of a machine. The aim is to prevent any undesirable consequences occurring as a result of electrostatic, electromagnetic and mains faults.

The following measures serve this purpose:

- Using filters and delay devices.
- Dividing reference potential into “dirty” and “clean”.
- Neutral earthing of all reference potential with large cross-section (> 6 mm²).
- Keeping all bonding leads as short as possible.
- Routing all connections parallel to the bonding surface.
- Using screened lines and, if possible, earthing the shield at both ends.
- Isolating and screening switchgear and components susceptible to interference.



F

Overview of the available KLBÜs

For busbars
10 x 3

For direct mounting

For C-profiles

For TS 35
insulating/conducting

Clip-on for
10 x 3 busbar



In detail

Compression spring

To ensure both simple handling and proper connection, with permanent contact pressure as a result of the spring effect

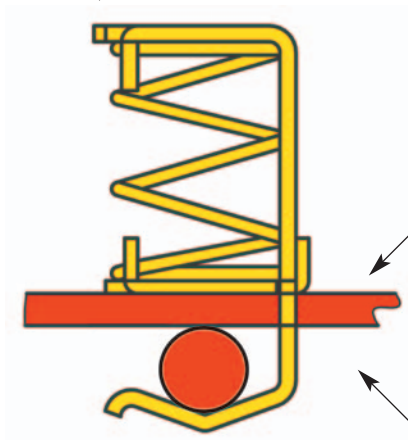


No extra tools necessary

Simply **swivel onto the busbar by hand** – retrospectively if necessary

Full range

For conductors from 2 to 37 mm diameter



Reliable contact

Changes in diameter (flow) of the conductor compensated for by the elastic behaviour of the clamping yoke for flexible adjustment to the cable diameter

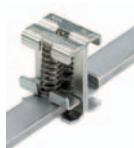
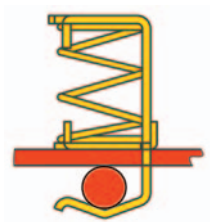
Many options available

Weidmüller offers a wide range of different fastenings for mounting shield connection terminals

For 10 x 3 mm busbars

Clamping yoke

Cable fastened against the busbar from below



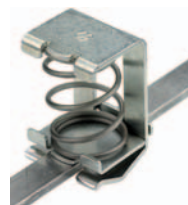
KLBÜ 2x2-6



KLBÜ 3-8



KLBÜ 4-13.5



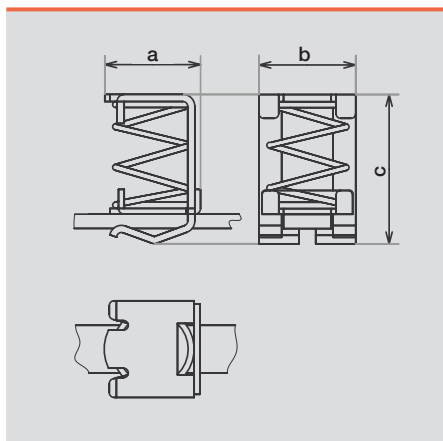
KLBÜ 10-20



KLBÜ 15 - 32

F


KLBÜ



Order data

Type	for cable diameter	Dimensions (a x b x c) mm	Qty	Order no.
KLBÜ 2 x 2-6	2.0 ... 6.0 mm	15.0 x 18.0 x 24.0	10	1675350000
KLBÜ 3-8	3.0 ... 8.0 mm	13.0 x 18.0 x 26.0	10	1600480000
KLBÜ 4 x 13.5	4.0 ... 13.5 mm	20.0 x 20.5 x 31.5	10	1592810000
KLBÜ 10-20	10.0 ... 20.0 mm	25.0 x 26.0 x 40.0	10	1600490000
KLBÜ 15-32	15.0 ... 32.0 mm	36.0 x 32.0 x 63.9	10	1716300000

10 x 3 mm busbars	Length	Material	Qty	Order no.
SSch 10x3x1000 Cu, Sn, Pb	1000.0 mm	Cu, Sn, Pb	1	0348900000
SSch 10x3x1000 Fe, Zn, 8B	1000.0 mm	Fe, Zn, 8B	1	1746130000

Marking on the product: 

Marking EN 50019:  EEx e II

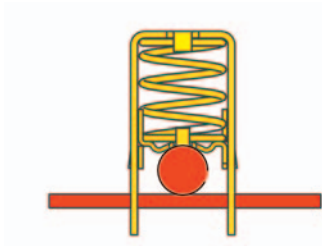
Marking EX-RL 94/9/EC: II 2 G D

EC type testing certificate: DMT 02 ATEX E 024 U

For 10 x 3 mm busbars

Clamping yoke

Cable fastened onto the busbar from above



KLBÜ CO 1



KLBÜ CO 2



KLBÜ CO 3

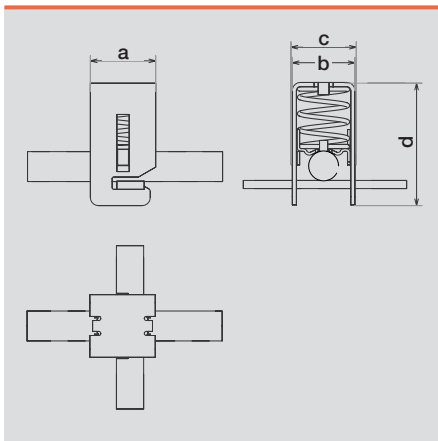


KLBÜ CO 4



KLBÜ CO 5


KLBÜ CO



Order data

Type	for cable diameter	Dimensions (a x b x c x d) mm	Qty	Order no.
KLBÜ CO 1	3.0 ... 10.0 mm	18.0 x 12.0 x 13.2 x 32.0	10	1753311001
KLBÜ CO 2	4.0 ... 15.0 mm	18.0 x 20.0 x 21.1 x 41.6	10	1752131001
KLBÜ CO 3	10.0 ... 20.0 mm	25.0 x 23.0 x 24.0 x 45.0	10	1749151001
KLBÜ CO 4	15.0 ... 28.0 mm	25.0 x 31.0 x 32.0 x 56.0	10	1749161001
KLBÜ CO 5	20.0 ... 37.0 mm	32.0 x 40.0 x 42.7 x 64.5	10	1755081001

10 x 3 mm busbars	Length	Material	Qty	Order no.
SSch 10x3x1000 Cu, Sn, Pb	1000.0 mm	Cu, Sn, Pb	1	0348900000
SSch 10x3x1000 Fe, Zn, 8B	1000.0 mm	Fe, Zn, 8B	1	1746130000

Marking on the product: 

Marking EN 50019:

 EEx e II

Marking EX-RL 94/9/EC:

II 2 G D

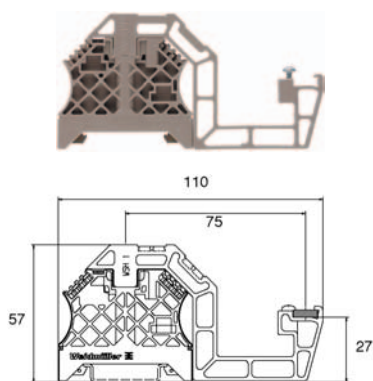
EC type testing certificate: DMT 02 ATEX E 024 U

For 10 x 3 mm busbars

Busbar holders

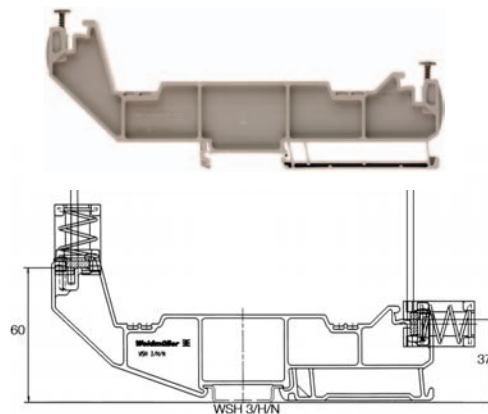
Insulated mounting on TS 35

Type WSH 1



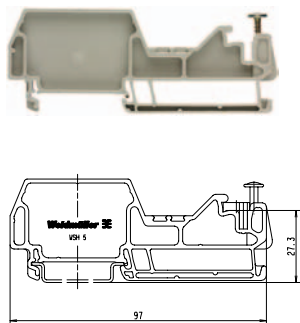
Horizontal mounting only

Type WSH 3/H/N

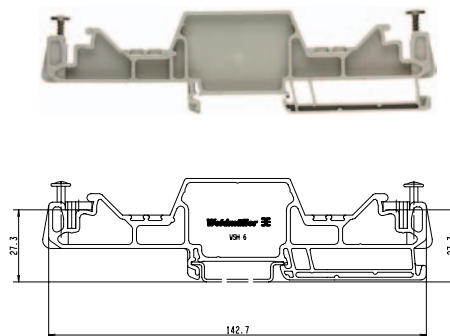


F

Type WSH 5



Typ WSH 6



WSH

Order data

Type	Width	Qty	Order no.
WSH 1	8.0 mm	10	1068700000
WSH 3/H/N	8.0 mm	10	1715970000
WSH 5	8.0 mm	10	1080100000
WSH 6	8.0 mm	10	1080200000

EC type testing certificate: DMT 02 ATEX E 024 U

10 x 3 mm busbars	Length	Material	Qty	Order no.
SSch 10x3x1000 Cu, Sn, Pb	1000.0 mm	Cu, Sn, Pb	1	0348900000

For 10 x 3 mm busbars

Busbar holders

Conductive mounting on TS 35



TS 35 Clip
BS 35/WSH 2



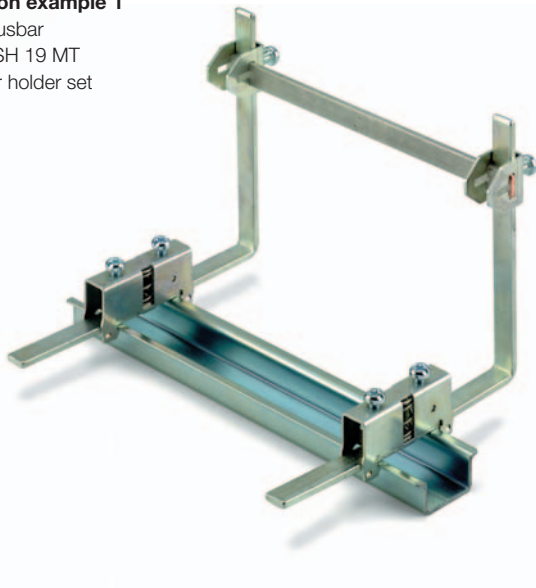
Busbar connector
BFEH 1/WSH



Angled rail
SMSE WSH U1MT

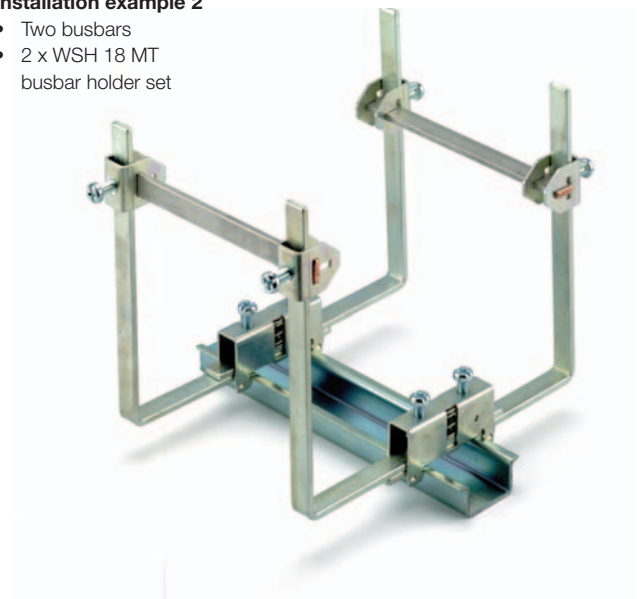
Installation example 1

- One busbar
- 2 x WSH 19 MT busbar holder set



Installation example 2

- Two busbars
- 2 x WSH 18 MT busbar holder set



WSH

EC type testing certificate: DMT 02 ATEX E 024 U

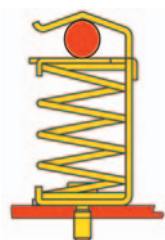
Order data

TS 35 clip		Dimensions (l x w x h) mm	Qty	Order no.	
BS 35/WSH 2		52.0 x 37.0 x 13.0	10	1760720000	
Busbar connector		Dimensions (l x w x h) mm	Qty	Order no.	
BFEH 1/WSH		20.0 x 31.0 x 13.5	10	1082400000	
Angle rail		Dimensions (l x w x h) mm	Qty	Order no.	
SMSE WSH U1MT		134.0 x 13.0 x 134.0	10	1083900000	
Busbar holder sets		Contents (parts loose in plastic bag)			
	BS 35/WSH 2	BFEH 1/WSH	SMSE WSH U1MT	Qty	Order no.
WSH 18 MT	1 ea.	2 ea.	2 ea.	10	1083100000
WSH 19 MT	1 ea.	1 ea.	1 ea.	10	1083200000
WSH 20 MT	1 ea.	1 ea.	1 ea. (straight)	10	1752950000
10 x 3 mm busbars		Length	Material	Qty	Order no.
SSch 10x3x1000 Cu, Sn, Pb		1000.0 mm	Cu, Sn, Pb	1	0348900000
SSch 10x3x1000 Fe, Zn, 8B		1000.0 mm	Fe, Zn, 8B	1	1746130000

Articles with coloured order number are kept permanently in stock at the central warehouse in Germany.
 Delivery times see page X.2

Mounting directly on metal plate

Clamping yoke



KLBÜ 3 - 8 SC



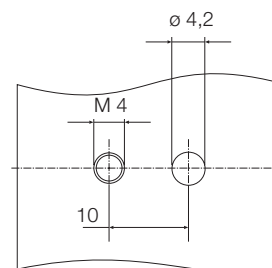
KLBÜ 4 - 13,5 SC



KLBÜ 10 - 20 SC



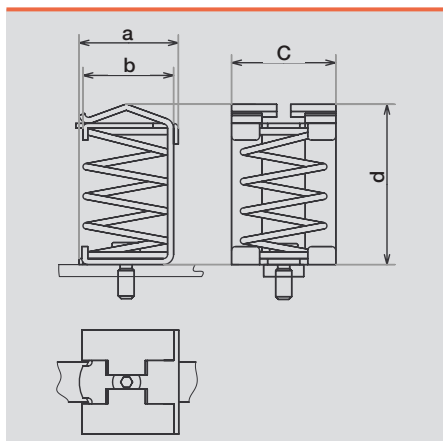
KLBÜ 15 - 32 SC



Drilling template KLBÜ 15 - 32 SC

F

KLBÜ SC



Marking on the product:



Marking EN 50019:



Marking EX-RL 94/9/EC:

II 2 G D

EC type testing certificate: DMT 02 ATEX E 024 U

Order data

Type	For cable diameter	Thread length	Dimensions (a x b x c x d) mm	Qty	Order no.
KLBÜ 3 - 8 SC	3,0 ... 8,0 mm	5,65 mm	13,5 x 11,5 x 18,0 x 26,0	10	1692261001
KLBÜ 4 - 13,5 SC	4,0 ... 13,5 mm	5,30 mm	20,0 x 17,8 x 20,3 x 31,4	10	1712311001
KLBÜ 10 - 20 SC	10,0 ... 20,0 mm	5,30 mm	24,8 x 23,0 x 26,0 x 40,0	10	1712321001
KLBÜ 15 - 32 SC	15,0 ... 32,0 mm	4,80 mm	36,0 x 33,3 x 32,0 x 64,0	10	1718341001

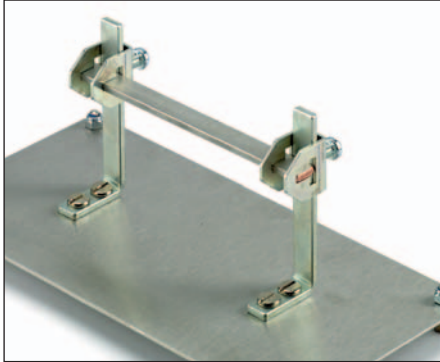
Operating tool	Qty	Order no.
BTWZ KLBÜ	1	1742630000



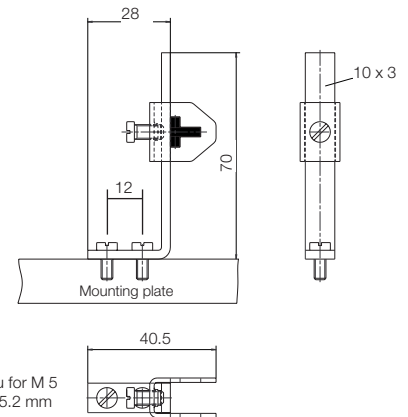
Mounting directly on metal plate

Busbar holder / Spacer

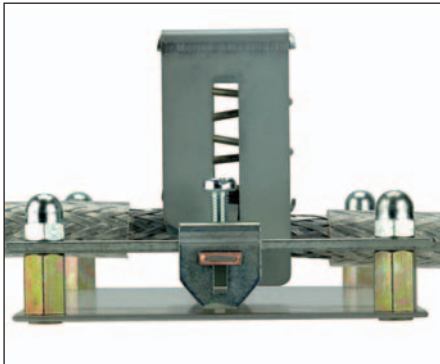
Busbar holder



Set (WSH 4 MT) consisting of:
 – 1 busbar holder
 – 1 busbar connector (BFEH 1/WSH)



Spacer



M6 outer and inner thread
 (15 mm, 20 mm and 30 mm long)



WSH 4 MT / SP

Order data

Busbar holder	Qty	Order no.
WSH 4 MT	10	1079900000

Type	Length	Qty	Order no.
SP 15 set of 2	15 mm	1	3896100000
SP 20 set of 2	20 mm	1	3896200000
SP 30 set of 2	30 mm	1	3896300000

EC type testing certificate: DMT 02 ATEX E 024 U

Mounting on TS 35

FM 4-foot / Clamping yoke holder

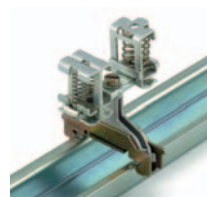
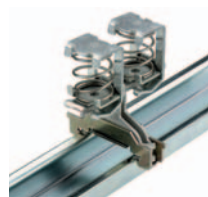
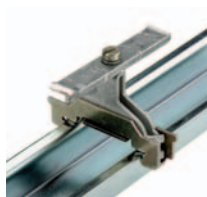
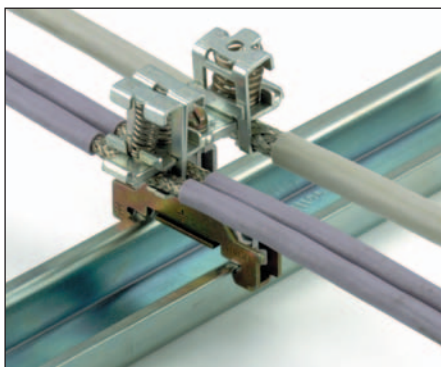
FM 4-foot



The KLBÜ SC clamping yokes (see page F.8) are screwed onto the **FM 4** foot.



Clamping yoke holder



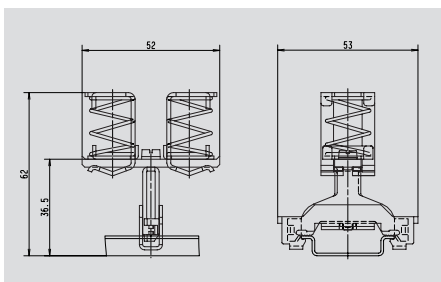
BS 35 II (without KLBÜ) BS 35 II / KLBÜ 3 - 8 BS 35 II / KLBÜ 3-8 / 2x2-6

F



FM 4 / BS 35 II

Order data

FM 4-foot	Qty	Order no.
FM 4	40	0687900000

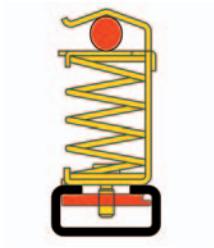


Clamping yoke	For cable diameter	Qty	Order no.
BS 35 II	without KLBÜ	10	1723800000
BS 35 II / KLBÜ 3-8	3.0 ... 8.0 mm	10	1723810000
BS 35 II / KLBÜ 4-13.5	4.0 ... 13.5 mm	10	1723820000
BS 35 II / KLBÜ 3-8/2x2-6	3.0 ... 8.0 mm / 2.0 ... 6.0 mm	10	1749430000
BS 35 II / KLBÜ 2x3-8/2x2-6	3.0 ... 8.0 mm / 2.0 ... 6.0 mm	10	1768020000

Marking on the product: 
 Marking EN 50019:  EEx e II
 Marking EX-RL 94/9/EC: II 2 G D
 EC type testing certificate: DMT 02 ATEX E 024 U

For C-profiles

Clamping yoke



KLBÜ 3 - 8 CPF



KLBÜ 4 - 13.5 CPF

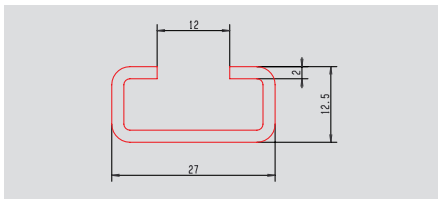
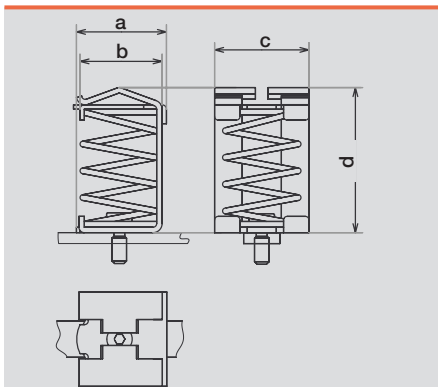


KLBÜ 10 - 20 CPF



KLBÜ 15 - 32 CPF


KLBÜ CPF




Order data

Type	For cable diameter	Dimensions (a x b x c x d) mm	Qty	Order no.
KLBÜ 3 - 8 CPF	3.0 ... 8.0 mm	13.5 x 11.5 x 18.0 x 26.0	10	1752681001
KLBÜ 4 - 13.5 CPF	4.0 ... 13.5 mm	20.0 x 17.8 x 20.3 x 31.4	10	1752691001
KLBÜ 10 - 20 CPF	10.0 ... 20.0 mm	24.8 x 23.0 x 26.0 x 40.0	10	1752701001
KLBÜ 15 - 32 CPF	15.0 ... 32.0 mm	36.0 x 33.3 x 32.0 x 64.0	10	1752711001

C-rail	Qty	Order no.
TS 27 x 12.5M / ST / FZN	10 m	1802690000

Marking on the product: 

Marking EN 50019:  EEx e II

Marking EX-RL 94/9/EC: II 2 G D

EC type testing certificate: DMT 02 ATEX E 024 U

For direct mounting

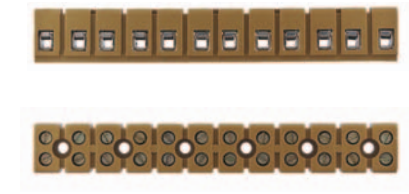
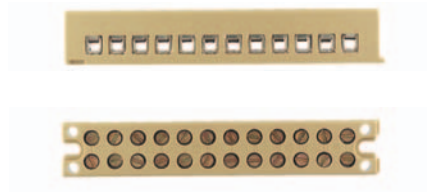
Screw connection

MK 2/12

2.5 mm²

MK 3/2 ... 12

2.5 mm²



Width x height / ø fixing hole mm
(length and mounting size: see order data)
Max. clamping range mm²

15.0 x 15.0 / 3.20

15.0 x 16.1 / 3.45

0.21 ... 4.0

0.21 ... 4.0

Technical data

Rating data	
Rated voltage	V
Rated current	A
Rated cross-section	mm ²
Rated surge voltage / pollution severity	kV/-
Plug gauge acc. to IEC 60-947-1/ flammability class UL 94 Approvals	

IEC-60-947-7-1

	IEC	UL	CSA
	125	300	300
	24	10	10
	2.5	24..12 AWG	24..12 AWG
	2.5 / 3		
	A2 / V2		

IEC-60-947-7-1

	IEC	UL	CSA
	400	300	300
	24	25	25
	2.5	22..12 AWG	22..12 AWG
	6 / 3		
	A2 / 5VA		

Clamping conductor H05V/H07V

Solid / stranded	mm ²
Flexible / flexible with wire end ferrules	mm ²
Tightening torque range	Nm
Stripping length / clamping screw / blade size	mm

0.5...4 / 1.5...2.5
0.5...2.5 / 0.5...1.5
0.4...0.45
5 mm / M 2.5 / 3.5 x 0.6 mm

0.5...4 / 1.5...2.5
0.5...2.5 / 0.5...1.5
0.4...0.45
5 mm / M 2.5 / 3.5 x 0.6 mm

Notes

Order data

Version	
2-pole	
3-pole	
4-pole	
5-pole	
6-pole	
7-pole	
8-pole	
9-pole	
10-pole	
12-pole	
14-pole	
16-pole	

Type	Length/mounting size mm	Qty	Order no.
MK 2/12	86.00 / 80.0	50	0241260000

Type	Length/mounting size mm	Qty	Order no.
MK 3/2	17.40 / 18.5	100	0273820000
MK 3/3	26.50 / 18.5	50	0273920000
MK 3/4	35.75 / 18.5	50	0274020000
MK 3/5	45.00 / 18.5	50	0274120000
MK 3/6	54.25 / 37.0	50	0274220000
MK 3/7	63.50 / 37.0	50	0274320000
MK 3/8	72.75 / 55.5	25	0274420000
MK 3/9	82.00 / 55.5	25	0274520000
MK 3/10	91.25 / 74.0	20	0274620000
MK 3/12	110.00 / 92.5	20	0243520000

Notes

Accessories

Split rivet	
Solder bar	
Tag strip	printed
	not printed

Type	Qty	Order no.
SN	500	0200100000
MF 2/12		0241760000
BSTb 28/12 bottom	50	0245700000
BSTb 28/12 top	50	0278500000
BSTo 28/12	50	0245600000

Type	Qty	Order no.
BSTb 28/12	50	0245900000
BSTb 28/8	50	0290200000
BSTb 28/6	50	0290000000
BSTb 28/4	50	0289800000
BSTo 28/12	50	0245800000
BSTo 28/8	50	0284700000
BSTo 28/6	50	0289500000
BSTo 28/4	50	0289300000

For direct mounting

MK 4/16

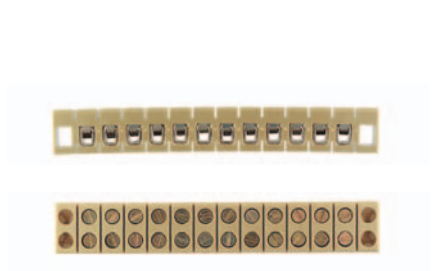
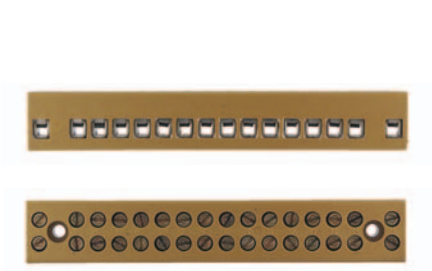
2.5 mm²

MK 6/2 ... 6/6

6.0 mm²

MK 10/14

2.5 mm²



17.0 x 16.0 / 3.40

0.21 ... 4.0

IEC-60-947-7-1

IEC	UL	CSA
400	150	150
24	20	15
2.5	22...12 AWG	22...12 AWG
	6 / 3	
	A2 / 5VA	



0.5...4 / 1.5...2.5

0.5...2.5 / 0.5...1.5

0.4...0.45

8 mm / M 2.5 / 3.5 x 0.6 mm

23 x 22 / 3.4

0.33 ... 6.0

IEC-60-947-7-1

IEC	UL	CSA
690	300	300
41.0	30	40
6.0	22...10 AWG	22...10 AWG
	8 / 3	
	A3 / V2	



0.5...6 / 1.5...6

0.5...6 / 0.5...4

1.2...2.0

9 mm / M 4 / 4.0 x 0.8 mm

13.5 x 12 / 3.1

0.21 ... 4.0

IEC-60-947-7-1

IEC	UL	CSA
125	150	300
24	25	10
2.5	22...12 AWG	24...12 AWG
	2.5 / 3	
	A2 / V2	



0.5...4 / 1.5...2.5

0.5...2.5 / 0.5...1.5

0.4...0.45

6 mm / M 2.5 / 3.5 x 0.6 mm

Mounted by gluing or with M3x12 screws. Through the empty terminal point chamber

Type	Length/mounting size mm	Qty	Order no.
MK 4/16	103.00 / 85.5	20	0244220000

Type	Length/mounting size mm	Qty	Order no.
MK 6/2	23.5 / -	50	0620420000
MK 6/3	36.5 / 13.0	50	0620320000
MK 6/4	49.5 / 26.0	20	0620220000
MK 6/6	75.5 / 52.0	20	0620120000

Type	Length/mounting size mm	Qty	Order no.
MK 10/14	88.5 / -	20	0370160000

Other pole numbers available on request

Type	Qty	Order no.
BSTb 28/16 unten	50	0262200000
BSTb 28/16 oben	50	0278700000
BSTo 28/16	50	0262100000

Type	Qty	Order no.
BSTb 28/6	50	0304600000

Type	Qty	Order no.
------	-----	-----------

Articles with coloured order number are kept permanently in stock at the central warehouse in Germany. Delivery times see page X.2

For direct mounting

Screw connection

MK 5/2 o. DE

2.5 mm²

KS 2 ... 10

2.5 mm²



Width x height / ø fixing hole mm
(length and mounting size: see order data)
Max. clamping range mm²

18.0 x 14.2 / 4.2

25.0 x 17.5 / 4.2

0.21 ... 4.0

0.21 ... 4.0

Technical data

Rating data

Rated voltage V
Rated current A
Rated cross-section mm²
Rated surge voltage / pollution severity kV/-
Plug gauge acc. to IEC 60-947-1/ flammability class UL 94 Approvals

IEC	UL	CSA
500		
24		
2.5		
6 / 3		
A2 / 5 VA		

IEC	UL	CSA
500	300	300
24	20	25
2.5	22...12 AWG	24...12 AWG
	6 / 3	
	A2 / 5VA	



Clamping conductor H05V/H07V)

Solid / stranded mm²
Flexible / flexible with wire end ferrules mm²
Tightening torque range Nm
Stripping length / clamping screw / blade size mm

0.5...4 / 1.5...2.5
0.5...2.5 / 0.5...1.5
0.4...0.45
5 mm / M 2.5 / 3.5 x 0.6 mm

0.5...4 / 1.5...2.5
0.5...2.5 / 0.5...1.5
0.5...0.7
8 mm / M 3 / 4.0 x 0.8 mm

Notes

Order data

Version

2-pole
3-pole
4-pole
5-pole
6-pole
7-pole
8-pole
9-pole
10-pole
12-pole
14-pole
16-pole

Type	Length/mounting size mm	Qty	Order no.
MK 5/2	40 / 32	100	0243820000

Type	Length/mounting size mm	Qty	Order no.
KS 2	42 / 32	100	0134420000
KS 4	66 / 56	50	0140320000
KS 6	90 / 80	50	0140620000
KS 10	138 / 128	20	0141620000

Notes

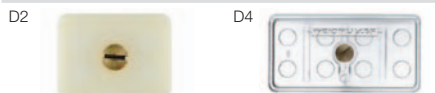
Accessories

Split rivet

Type	Qty	Order no.

Type	Qty	Order no.

Cover



Type	Qty	Order no.
D2 MK 5/2		0244060000

Type	Qty	Order no.
D2 KS2 TP	100	0134500000
D4 KS4 TP	50	0140500000
D6 KS6 TP	50	0140800000
D10 KS 10 TP	20	0141800000

Tag strip

printed

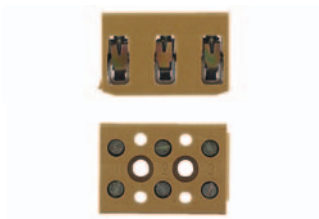
not printed

Type	Qty	Order no.
ELsB 2	50	0143200000
ELsB 4	50	0143300000
ELsB 6	50	0143400000
ELsB 10	50	0143500000
ELsO 2	50	0142800000
ELsO 4	50	0142900000
ELsO 6	50	0143000000
ELsO 10	50	0143100000

For direct mounting

BK 2...12

4.0 mm²



22 x 20 / 3.40

0.33 ... 4.0

IEC	UL	CSA
400	300	300
32.0	10	10
4.0	22..12 AWG	22..12 AWG
	6 / 3	
	A3 / 5VA	



0.5...4 / 1.5...4

0.5...4 / 0.5...4

0.5...0.7

8 mm / M 3 / 4.0 x 0.8 mm

Type	Length/mounting size mm	Qty	Order no.
BK 2CRN	20 / -	100	0624720000
BK 3CRN	31 / 11.0	100	0624920000
BK 4CRN	38 / 18.0	100	0625120000
BK 6CRN	52 / 32.0	50	0625220000
BK12 CRN	92 / 72.5	25	0625320000

Type	Qty	Order no.
SN	500	0200100000
BSTb 28/2	50	0203600000
BSTb 28/3	50	0203800000
BSTb 28/4	50	0197300000
BSTb 28/6	50	0197500000
BSTb 28/12	50	0198800000
BSTo 28/2	50	0203500000
BSTo 28/3	50	0203700000
BSTo 28/4	50	0197200000
BSTo 28/6	50	0197400000
BSTo 28/12	50	0198700000

Articles with coloured order number are kept permanently in stock at the central warehouse in Germany.
Delivery times see page X.2

For direct mounting

Screw connection

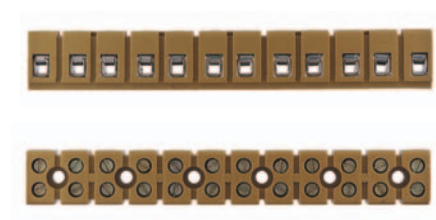
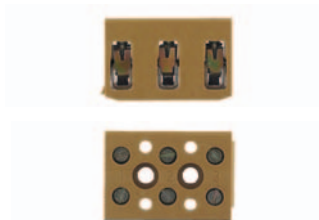
BK 2...12/E

4.0 mm²

MK 3/2...12/E

2.5 mm²

ATEX approval



Width x height / ϕ fixing hole mm
(length and mounting size: see order data)
Max. clamping range mm²

22 x 20 / 3.40

15 x 16.1 x 3.45

0.33 ... 4.0

0.214

Technical data

Rating data	
Rated voltage	V
Rated current	A
Rated cross-section	mm ²
Rated surge voltage / pollution severity	kV/-
Plug gauge acc. to IEC 60-947-1/ flammability class	UL 94
Approvals	

IEC	UL	CSA	EN 50019
400	300	300	275
32.0	10	10	21
4.0	22 ...2 AWG	22 ...12 AWG	4.0
6 / 3			
A3 / 5VA			
		BAS 98ATEX3084 U	

IEC	UL	CSA	EN 50019
400	300	300	275
24	25	25	15
2.5	22 ...12 AWG	22 ...12 AWG	2.5
6 / 3			
A2 / 5VA			
		BAS 99ATEX2124 U	

Clamping conductor H05V/H07V	
Solid / stranded	mm ²
Flexible / flexible with wire end ferrules	mm ²
Tightening torque range	Nm
Stripping length / clamping screw / blade size	mm

0.5...4 / 1.5...4
0.5...4 / 0.5...4
0.5...0.7
8 mm / M 3 / 4.0 x 0.8 mm

0.5...4 / 1.5...2.5
0.5...2.5/ 0.5...1.5
0.4...0.6
5 mm / M 2.5/ 3.5x 0.6 mm

Notes

Notes

Notes

Order data

Version	Type	Length/mounting size mm	Qty	Order no.
2-pole	BK 2/E	20 / -	100	7906040000
3-pole	BK 3/E	31 / 11.0	100	7906060000
4-pole	BK 4/E	38 / 18.0	100	7906080000
5-pole				
6-pole	BK 6/E	52 / 32.0	50	7906090000
7-pole				
8-pole				
9-pole				
10-pole				
11-pole				
12-pole	BK 12/E	92 / 72.5	25	7906100000

Type	Length/mounting size mm	Qty	Order no.
MK 3/2/E	17.40 / 18.50	100	7906110000
MK 3/3 E	26.50 / 18.50	100	7906120000
MK 3/4/E	35.75 / 18.50	50	7906130000
MK 3/5/E	45.00 / 18.50	50	7906140000
MK 3/6/E	54.25 / 37.00	50	7906150000
MK 3/7/E	63.50 / 37.00	25	7906160000
MK 3/8/E	72.75 / 55.50	25	7906170000
MK 3/9/E	82.00 / 55.50	25	7906180000
MK 3/10/E	91.25 / 74.00	25	7906190000
MK 3/11/E	100.50 / 74.00	25	7906200000
MK 3/12/E	110.00 / 92.50	25	7906210000

Type	Length/mounting size mm	Qty	Order no.
MK 3/2/E	17.40 / 18.50	100	7906110000
MK 3/3 E	26.50 / 18.50	100	7906120000
MK 3/4/E	35.75 / 18.50	50	7906130000
MK 3/5/E	45.00 / 18.50	50	7906140000
MK 3/6/E	54.25 / 37.00	50	7906150000
MK 3/7/E	63.50 / 37.00	25	7906160000
MK 3/8/E	72.75 / 55.50	25	7906170000
MK 3/9/E	82.00 / 55.50	25	7906180000
MK 3/10/E	91.25 / 74.00	25	7906190000
MK 3/11/E	100.50 / 74.00	25	7906200000
MK 3/12/E	110.00 / 92.50	25	7906210000

Notes

Notes

Notes

Accessories

Split rivet	Type	Qty	Order no.
	SN	500	0200100000

Tag strip	Type	Qty	Order no.
printed	BSTb 28/2	50	0203600000
	BSTb 28 /3	50	0203800000
	BSTb 28/4	50	0197300000
	BSTb 28/6	50	0197500000
	BSTb 28/12	50	0198800000
	not printed	BSTo 28/2	50
BSTo 28/3		50	0203700000
BSTo 28/4		50	0197200000
BSTo 28/6		50	0197400000
BSTo 28/12		50	0198700000

Type	Qty	Order no.

Type	Qty	Order no.

For direct mounting

MK 6/2 ... 6/E


6.0 mm²



23 x 22 / 3.40

0.21 ... 6

IEC	UL	CSA	EN 50019
690	300	300	420
41.0	30	40	26
6.0	22..10 AWG	22..10 AWG	6.0
	8 / 3		
	A3 / V0		


BAS 99ATEX2123 U

0.5...6 / 1.5...6

0.5...6 / 0.5...4

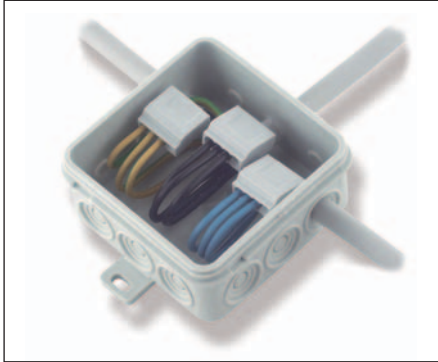
1.2...2.0

9 mm / M 4 / 4.0 x 0.8 mm

Type	Length/mounting size mm	Qty	Order no.
MK 6/2/E	23.50 / -	50	7906220000
MK 6/3/E	36.50 / 13.00	50	7906230000
MK 6/4/E	49.50 / 26.00	20	7906240000
MK 6/5/E	62.50 / 26.00	20	7906250000
MK 6/6/E	75.50 / 52.00	20	7906260000

Type	Qty	Order no.
BSTb 28/6	50	0304600000

Installation terminals for electrical installation in buildings



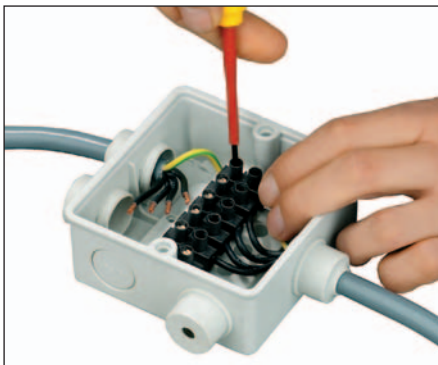
Junction box terminals

- Suitable for rigid conductors
- Connect: strip conductor and push into terminal opening – that's all there is to it!
- Disconnect: unscrew ends of conductors and terminals from each other and pull apart at the same time.



Lighting terminals

- On the "installation side": suitable for two rigid conductors. The conductor can be looped on
- Within the lamp: suitable for flexible conductor which connects the lamp
- Strip rigid conductor and push into contact opening. Strip flexible wire and press rocker to open the clamping spring. Push end of conductor in and release rocker.



Europa terminals

- Suitable for rigid and flexible conductors
- Simply divide the 12-pole strip into parts with differing pole numbers.

Junction box terminals

D-series

Screwless installation terminals



- For connecting solid copper conductors using the direct push-in technique
- Extremely easy to push in
- Just one size covers all cross-sectional areas from 0.75 to 2.5 mm²
- Additional size for conductors up to 4 mm²
- 2 to 8 contact points
- Conductors disconnected by turning and pulling
- For aluminium conductors, we recommend using Alu-Top 30 a contact paste
- Test opening for voltage tester
- Grooves on the bottom to show the required stripping length
- Approvals based on DIN EN 60998 and UL 486C



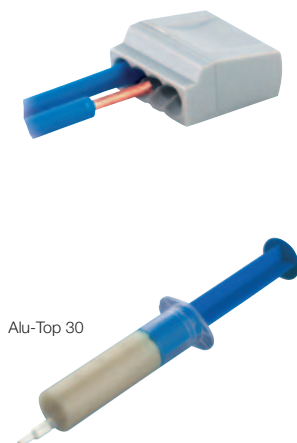
Technical data

Material				
Enclosure	Polyamide PA 66, pale grey RAL 7035			
Busbar	Coated electrolyte copper			
Connection values		EN 60998	UL 486C	for aluminium conductors ¹⁾
D1.5/2.5:	450V / 25 A	600V / 20 A	450V / 16A	
D4.0	450V / 35 A	600V / 30 A	450V / 22A	
Temperature range				
When using copper conductors	-40 °C .. +100 °C			
When using aluminium conductors ¹⁾	-40 °C .. +60 °C			
Approvals				

¹⁾ when using Alu-Top 30 contact paste

Order data

In box	Terminal points	Clamping range	Qty (in box)	Order no.
D1.5/2.5-2	2	0,75 - 2,5 mm ² (AWG 18 - 14) sol	100	1746420000
D1.5/2.5-3	3	0,75 - 2,5 mm ² (AWG 18 - 14) sol	100	1746430000
D1.5/2.5-4	4	0,75 - 2,5 mm ² (AWG 18 - 14) sol	100	1746440000
D1.5/2.5-5	5	0,75 - 2,5 mm ² (AWG 18 - 14) sol	100	1746450000
D1.5/2.5-8	8	0,75 - 2,5 mm ² (AWG 18 - 14) sol	50	1746460000
D4.0-3	3	1,50 - 4,0 mm ² (AWG 15 - 12) sol	50	1746470000
In bag	Terminal points	Clamping range	Qty (in bag)	Order no.
D-Pack D1.5/2.5-2	2	0,75 - 2,5 mm ² (AWG 18 - 14) sol	25	1781450000
D-Pack D1.5/2.5-3	3	0,75 - 2,5 mm ² (AWG 18 - 14) sol	25	1781460000
D-Pack D1.5/2.5-4	4	0,75 - 2,5 mm ² (AWG 18 - 14) sol	25	1781470000
D-Pack D1.5/2.5-5	5	0,75 - 2,5 mm ² (AWG 18 - 14) sol	25	1781480000
D-Pack D1.5/2.5-8	8	0,75 - 2,5 mm ² (AWG 18 - 14) sol	20	1781490000
D-Pack D4.0-3	3	1,50 - 4,0 mm ² (AWG 15 - 12) sol	20	1781500000
Accessories			Qty	Order no.
Alu-Top 30 (contact paste)			5	1778260000
Sample bag			1	1804420000



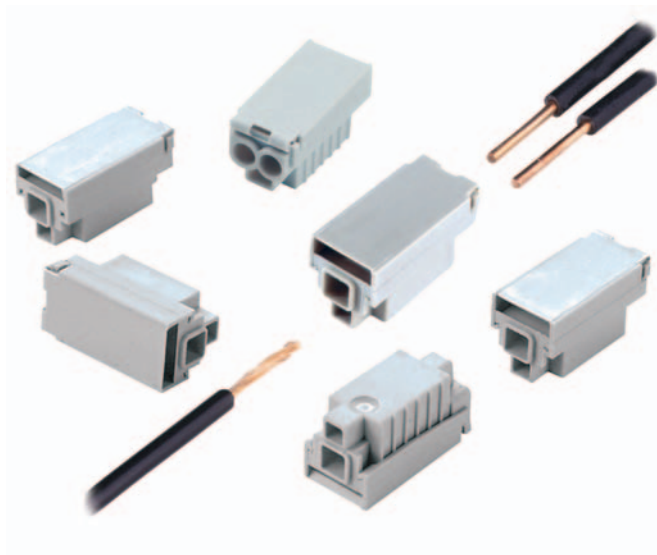
Articles with coloured order number are kept permanently in stock at the central warehouse in Germany. Delivery times see page X.2

Lamp terminals

Screwless installation terminals for solid and flexible conductors



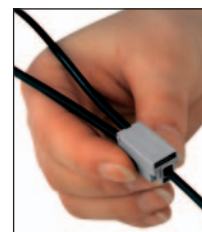
- Fast, easy and safe installation of lamps
- Detachable connection, without tools
- 2 solid conductors connected on the installation side
- One flexible conductor connected on the lamp side
- Spring contact for screwless connection
- Test opening for voltage tester
- Minimal space requirement



Solid conductor strip (8–9 mm) and connect conductor



Stranded conductors strip (8–9 mm) conductor, compress terminal and insert conductor



Technical data

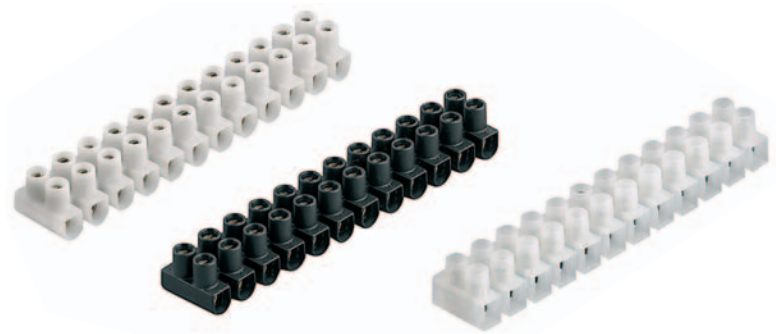
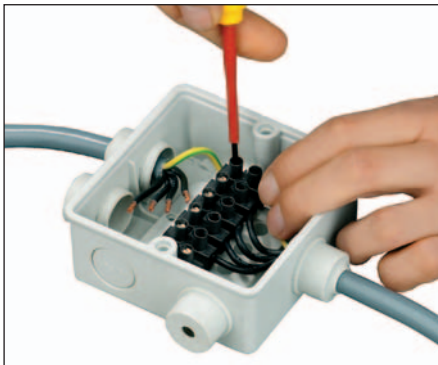
Material	
Enclosure	Polyamide PA 66, pale grey RAL 7035
Busbar	Tin-coated electrolyte copper
Clamping range	
Installation side	2 x 1,0 - 2,5 mm ² (AWG 17 - 14) solid copper conductor
Lamp side	1 x 0,5 - 2,5 mm ² (AWG 20 - 14) flexible copper conductor
Connection values	
Rated current/voltage	24 A / 400 V
Rated surge voltage	4 kV
Pollution severity	2
Temperature range	
Temperature in constant use	+105 °C acc. to UL 746B
Ambient temperature	-40 °C .. +60 °C
Approvals	

Order data

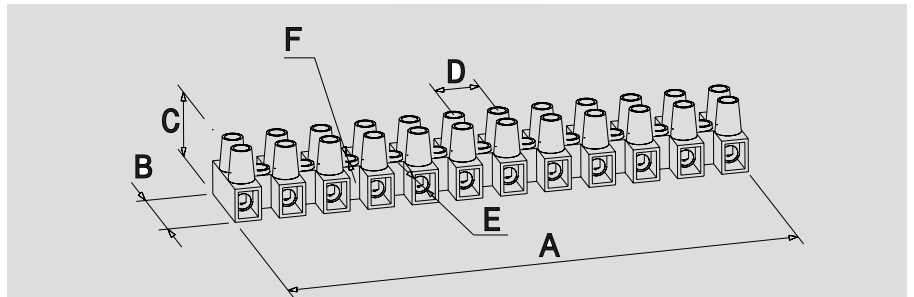
In box	Qty (in box)	Order no.
D-Lux 2/1	100	1774270000
In bag	Qty (in bag)	Order no.
D-Pack D-Lux 2/1	25	1791260000

Euro terminals

Screw connection



- 12-pole terminal strip for conductor cross-sectional areas up to 25 mm²
- Insulating material: choice of polyamide or polyethylene
- Captive screws, screwed up in delivery condition
- Various international approvals



Dimensions in mm

Type	A	B	C	D	E	F
D-Strip 2.5-4...	93.6	16.2	13.4	8.0	ø 2.8	ø 2.8
D-Strip 4-6...	116.4	18.6	15.0	10.0	ø 3.6	ø 3.5
D-Strip 6-10	133.5	22.2	17.3	11.5	ø 4.2	ø 3.6
D-Strip 16...	175.0	25.2	20.8	15.0	ø 5.8	ø 5.2
D-Strip 25...	212.0	36.0	29.6	18.0	ø 7.5	ø 4.0

Technical data

Material	Polyamide (natural)	Polyethylene (black or white)
Inserts	Chromated brass	Brass
Screws	Chromated steel	Chromated steel
Rated voltage		
D-Strip 2.5-4/12 to D-Strip 16/12	450 V	450 V
D-Strip 25/12	750 V	750 V
Temperature range		
Ambient temperature	+85 °C / +110 °C ¹⁾	+85 °C
max. testing temperature acc. to EN 60998	+115 °C / +140 °C ¹⁾	-
Approvals		

¹⁾ for D-strip 16/12 PA and D-strip 25/12 PA

Order data

Polyamide, natural	Nominal cross-section mm ²	Max. conductor cross-section mm ²	Qty.	Order no.
D-Strip 2.5-4/12 PA	2.5	4.0	10	1837100000
D-Strip 4-6/12 PA	4.0	6.0	10	1837130000
D-Strip 6-10/12 PA	6.0	10.0	10	1837160000
D-Strip 16/12 PA	16.0	16.0	10	1837190000
D-Strip 25/12 PA	25.0	25.0	10	1837220000
Polyethylene, black				
D-Strip 2.5-4/12 PE B	2.5	4.0	10	1837110000
D-Strip 4-6/12 PE B	4.0	6.0	10	1837140000
D-Strip 6-10/12 PE B	6.0	10.0	10	1837170000
D-Strip 16/12 PE B	16.0	16.0	10	1837200000
D-Strip 25/12 PE B	25.0	25.0	10	1837230000
Polyethylene, white				
D-Strip 2.5-4/12 PE W	2.5	4.0	10	1837120000
D-Strip 4-6/12 PE W	4.0	6.0	10	1837150000
D-Strip 6-10/12 PE W	6.0	10.0	10	1837180000
D-Strip 16/12 PE W	16.0	16.0	10	1837210000
D-Strip 25/12 PE W	25.0	25.0	10	1837240000

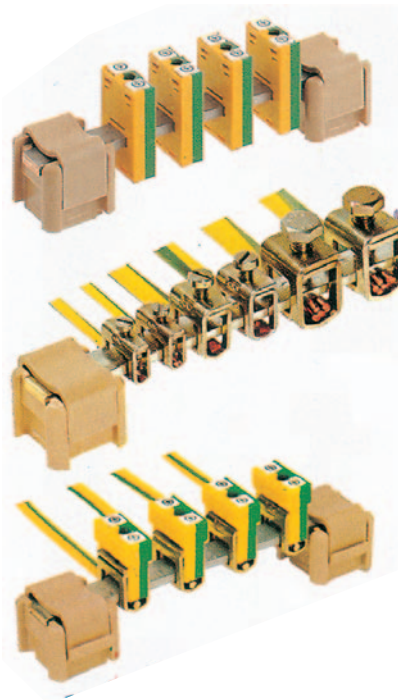
Busbar systems

Busbars

In switchgears and controls, it may be necessary to bring the neutral conductor and the protective conductor together at a central point. Busbars are available for this purpose and can be used for connecting a large number of conductors in a confined space (up to 70 conductors on a 1 m busbar). The conductors are connected by means of a pressure piece or tension clamp; the former does not entail bending the eyelets. A guide lug on the pressure piece engages in the busbar and holds the pressure piece firmly so that it cannot twist. The tension clamps can be pushed on the busbar and adjusted to the entire wiring in the system. The busbars can be used unperforated in any lengths. They are fixed using the SH busbar holder which can, for longer busbars, also be positioned between the tension clamps.

Tension clamps

(see page F.24 – F.25)



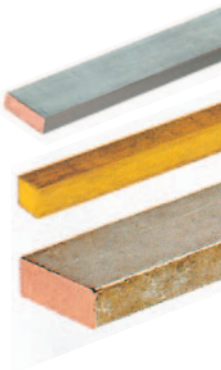
In order to bring together neutral conductors and protective conductors at a central point, it is advantageous to use ZB tension clamps together with 10 x 3 or 6 x 6 busbars. The tension clamps can be pushed onto the busbar and adjusted to the entire wiring in the system.

The tension clamp serves as the protective conductor connection and can be supplied with green/yellow insulating caps. These caps indicate the protective function and marking tags allow clear identification of each conductor.

If the tension clamps are used to connect neutral conductors, they can be marked with a blue insulating cap.

ZBE6 can also be swivelled onto the busbar retrospectively.

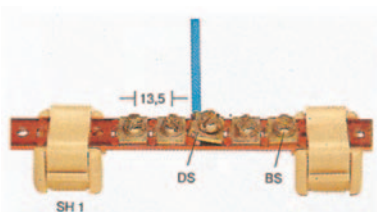
Busbars, unperforated



SSch

Type	Material	Cross-section	Length	Current carrying capacity	Qty	Order no.
SSch 10x3	Copper, tin-plated	10 x 3 mm	1 m	140 A	1	0348900000
SSch 10x3	Steel, galvanised	10 x 3 mm	1 m		1	0438000000
SSch 10x3	Brass, bright	10 x 3 mm	1 m	100 A	1	0259800000
SSch 6x6	Copper, tin-plated	6 x 6 mm	1 m	140 A	1	0571300000
SSch 6x6	Brass, bright	6 x 6 mm	1 m	100 A	1	0571200000
SSch 15x6	Copper, tin-plated	15 x 6 mm	1 m	265 A	1	0357400000

Busbars, perforated



NSch / ESch

Type	Material	Cross-section	Length	Power Rating	Qty	Order no.
NSch 15x2	Copper, bright	15 x 2 mm	1 m	80 A	1	0280200000
ESch 12x2	Steel, galvanised	12 x 2 mm	1 m		1	0280300000

Pressure piece	Qty	Order no.
DKSUE	100	0280100000
Clamping screw	Qty	Order no.
BFSC M5x8	100	0296700000

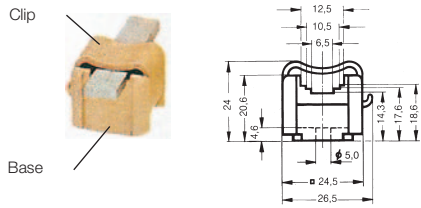
Connection data NSch/ESch

Screw connection solid	0.5 ... 2.5 mm ²
Stripping length	9 mm
Cable lug connection	max. 16 mm ²
Max. current per connection	27 A

Busbar systems

Busbar holders

With clip and base



SH

Type	For busbar cross-section	Qty.	Order no.
SH 1 TS 15 complete	10x3, 6x6, 15x2, 12x2	20	0299860000

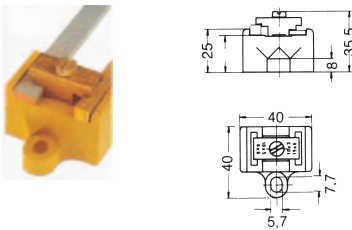
Individual parts SH1

SH 1 base	20	0401460000	
SH 1 clip	500	0635960000	

Fixing screw for SH2

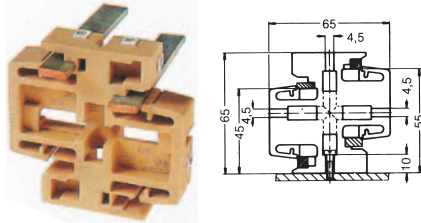
BFSC M4x9	for 1 SH1	100	0103300000
BFSC M4x30	for 2 SH1 stacked	50	0267100000

With metal bridge



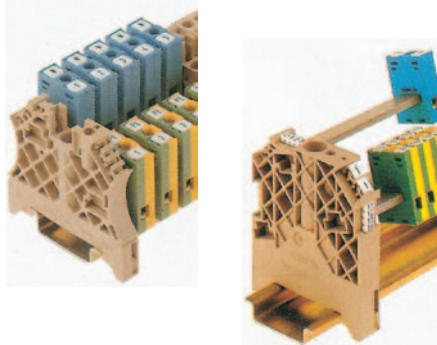
Type	For busbar cross-section	Qty.	Order no.
SH 2S	10x3, 6x6, 15x6, 10x5	10	0641720000

With metal bridge



Type	For busbar cross-section	Qty.	Order no.
SH 3	10x3, 6x6, 10x5	10	0556660000

Busbar holders

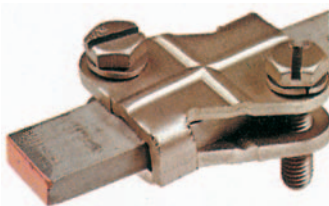


WEW

Type	For busbar cross-section	Qty.	Order no.
WEW 35/1	10x3, 6x6	50	1059000000
WEW 35/2	10x3, 6x6	100	1061200000

WEW 35/1 and WEW35/2 as busbar holder together with the ZB 4 G tension clamp

Connection element



AK 95

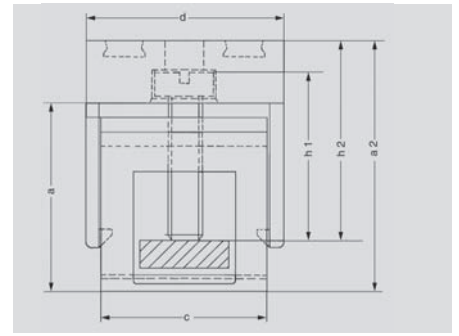
Type	For busbar cross-section	Qty.	Order no.
AK 95	15 x 6 mm	10	0364200000

The AK95 connection element is used as a tension clamp for 15 x 6 busbars

Connection cross-sections
 $e = 6 \dots 16 \text{ mm}^2$
 $f = 6 \dots 50 \text{ mm}^2$
 $m = 16 \dots 50 \text{ mm}^2$

Busbar systems

Tension clip, uninsulated



For 10 x 3 mm busbars

	Connection cross-section:	
	Solid	0.5 ... 6.0 mm ²
	Flexible	0.5 ... 4.0 mm ²
	Stranded	-
	Clamping screw	M 3
	Stripping length	16 mm

For swivelling on retrospectively

	Connection cross-section:	
	Solid	1.0 ... 10 mm ²
	Flexible	1.5 ... 10 mm ²
	Stranded	-
	Clamping screw	M 4
	Stripping length	19 mm

Also for busbar 10 x 5 mm available

	Connection cross-section:	
	Solid	1.5 ... 10 mm ²
	Flexible	2.5 ... 10 mm ²
	Stranded	-
	Clamping screw	M 4
	Stripping length	19 mm

	Connection cross-section:	
	Solid	2.5 ... 16 mm ²
	Flexible	2.5 ... 16 mm ²
	Stranded	16 ... 25 mm ²
	Clamping screw	M 4
	Stripping length	16 mm

	Connection cross-section:	
	Solid	-
	Flexible	16 ... 35 mm ²
	Stranded	16 ... 50 mm ²
	Clamping screw	M 6
	Stripping length	19 mm

For 6 x 6 mm busbars

	Connection cross-section:	
	Solid	0.5 ... 6.0 mm ²
	flexible	0.5 ... 4.0 mm ²
	Stranded	-
	Clamping screw	M 3
	Stripping length	16 mm

	Connection cross-section:	
	Solid	2.5 ... 16 mm ²
	Flexible	2.5 ... 16 mm ²
	Stranded	16 ... 25 mm ²
	Clamping screw	M 4
	Stripping length	12 mm

ZB / ZBE

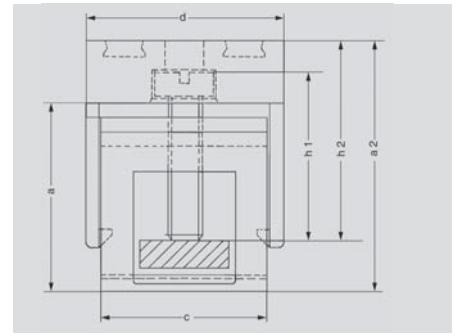
Type	Colour	Dimensions [mm]			Qty	Order no.
		a	width	c		
ZB 4, bright	-	11.7	5.6	16.0	50	0316500000
Insulating cap	Blue				50	0475480000
Insulating cap	Green/yellow				50	0475460000
ZBE 6, bright	-	19.5	8.2	19.5	50	0459500000
Insulating cap	Blue				50	0526080000
Insulating cap	Green/yellow				50	0526060000
ZB 10, bright	-	19.5	8.2	19.5	50	1261300000
ZB 16, bright	-	17.0	10.0	16.0	50	0316600000
Insulating cap	Blue				50	0502980000
Insulating cap	Green/yellow				50	0502960000
ZB 35, bright	-	21.0	14.4	18.4	20	0266500000
Insulating cap	Blue				50	0502780000
Insulating cap	Green/yellow				50	0502760000

ZB

Type	Colour	Dimensions [mm]			Qty	Order no.
		a	width	c		
ZB 4/6, bright	-	14.7	5.6	12.5	50	0556700000
Insulating cap	Blue				50	0565380000
ZB 16/6, bright	-	19.0	10.0	12.5	50	0556800000
Insulating cap	Blue				50	0565580000
Insulating cap	Green/yellow				50	0565560000

Busbar systems

Tension clamp, insulated



For busbars 10 x 3 mm



Connection cross-section:
 Solid 0.5 ... 6.0 mm²
 Flexible 0.5 ... 4.0 mm²
 Stranded -
 Clamping screw M 3
 Stripping length 16 mm

For swivelling on retrospectively



Connection cross-section:
 Solid 1.0 ... 10 mm²
 Flexible 1.5 ... 10 mm²
 Stranded -
 Clamping screw M 4
 Stripping length 19 mm



Connection cross-section:
 Solid 2.5 ... 16 mm²
 Flexible 2.5 ... 16 mm²
 Stranded 16 ... 25 mm²
 Clamping screw M 4
 Stripping length 16 mm



Connection cross-section:
 Solid -
 Flexible 16 ... 35 mm²
 Stranded 16 ... 50 mm²
 Clamping screw M 6
 Stripping length 19 mm

Tension spring connection



Connection cross-section:
 Solid 0.5 ... 4.0 mm²
 Flexible 0.5 ... 2.5 mm²
 Stranded -
 Stripping length 10 mm

ZB / ZBE / ZF

Type	Colour	Dimensions [mm]			Qty	Order no.	
		a2	width	d			h2
ZB 4 G GN/GE	Green/yellow	27.0	7.6	19.7	15.5	50	0322160000
ZB 4 G BL	Blue	27.0	7.6	19.7	15.5	50	0322180000
ZB 4 G SW	Black	27.0	7.6	19.7	15.5	50	0322110000
ZB 4K GN/GE	Green/yellow	18.5	6.0	19.0	13.0	50	0475360000
ZB 4K BL	Blue	18.5	6.0	19.0	13.0	50	0475380000
ZBE 6K GN/GE	Green/yellow	27.0	8.0	22.5	23.0	50	0525960000
ZBE 6K BL	Blue	27.0	8.0	22.5	23.0	50	0525980000
ZBE 6K SW	Black	27.0	8.0	22.5	23.0	50	0525910000
ZB 16K GN/GE	Green/yellow	24.0	10.0	19.2	20.0	50	0502860000
ZB 16K BL	Blue	24.0	10.0	19.2	20.0	50	0502880000
ZB 16K SW	Black	24.0	10.0	19.2	20.0	50	0502810000
ZB 35K GN/GE	Green/yellow	25.0	14.4	32.0	20.5	20	0502660000
ZB 35K BL	Blue	25.0	14.4	32.0	20.5	20	0502680000
ZB 35K SW	Black	25.0	14.4	32.0	20.5	20	0502610000
ZF 4 S	Beige	22.0	6.1	24.5	-	50	1814680000
ZF 4 S BL	Blue	22.0	6.1	24.5	-	50	1814660000
ZF 4 S GN/GE	Green/yellow	22.0	6.1	24.5	-	50	1814670000

For 6 x 6 mm busbar



Connection cross-section:
 Solid 0.5 ... 6.0 mm²
 Flexible 0.5 ... 4.0 mm²
 Stranded -
 Clamping screw M 3
 Stripping length 16 mm



Connection cross-section:
 Solid 2.5 ... 16 mm²
 Flexible 2.5 ... 16 mm²
 Stranded 16 ... 25 mm²
 Clamping screw M 4
 Stripping length 12 mm

ZB

Type	Colour	Dimensions [mm]			Qty	Order no.	
		a2	width	d			h2
ZB 4/6K GN/GE	Green/yellow	21.2	6.0	25.0	14.0	50	0565460000
ZB 4/6K BL	Blue	21.2	6.0	25.0	14.0	50	0565480000
ZB 16/6K GN/GE	Green/yellow	26.0	9.7	25.0	20.0	50	0569660000
ZB 16/6K BL	Blue	26.0	9.7	25.0	20.0	50	0569680000

Mounting rails, profile rails, end holders

Both active and passive components and intelligent modules are mounted on mounting rails – a method which has proven its worth over the years. But it is only after the use of certain consumables – which are frequently not taken into consideration – that electrical installation is finally completed. In this chapter, users will find a range of mounting rails and profile rails for component installation together with end holders for holding and isolating the components. This guarantees firm installation and isolation. Weidmüller supplies components which show perfect functional compatibility.

Mounting rails are made of either steel, stainless steel, aluminium or copper, depending on the area of application.

Stainless steel

Stainless steel is a collective noun for all kinds of steel (alloys) which are smelted in a special process and have a high degree of purity. Stainless steel has much-enhanced resistance to corrosion. Weidmüller's stainless steel mounting rails have the following composition: X5 CrNi 18-10 stainless steel (i.e. ~ 18% chromium, ~ 10% nickel).

Aluminium

Aluminium is second only to copper in its electrical conductivity. One advantage is its light weight. Aluminium oxidises quickly in air; thus passivated, it offers excellent corrosion protection.

Copper

Copper, a heavy metal, has the best electrical conductivity of all metals used. As it is a soft metal, Weidmüller's mounting rails are 2.3 mm thick.

Steel

All steel versions are galvanised and also passivated with a chromate layer, differentiated into yellow (chromium VI) and blue chromate (chromium III). Blue chromating has been introduced because of future restrictions on chromium (VI) compounds.

All mounting rails are produced in 1 m and 2 m lengths.

A mounting rail can also be used as a protective conductor busbar. Weidmüller PE / earth terminals in the W series, Z series, I series, SAK and AKZ series comply with requirements stipulated in IEC 60 947-7-2. According to VDE 0100 part 540, for conductors with cross-sectional areas exceeding 10 mm², both protective and neutral conductors may be grouped together as a single category of conductors designated PEN.

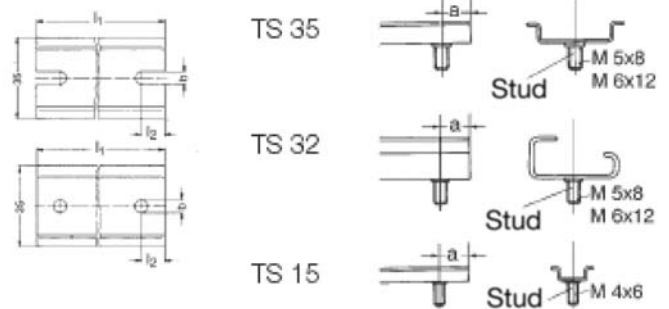
If a mounting rail is used as a PEN busbar, the following criteria must be observed:

- Only E-Cu or aluminium profiles are allowed
- Short-circuit currents and thermal rated currents must be taken into account
- The mounting rails are to be insulated as a contribution to protective insulation

All unperforated mounting rails can be provided with fixing holes (state dimensions b and l2).

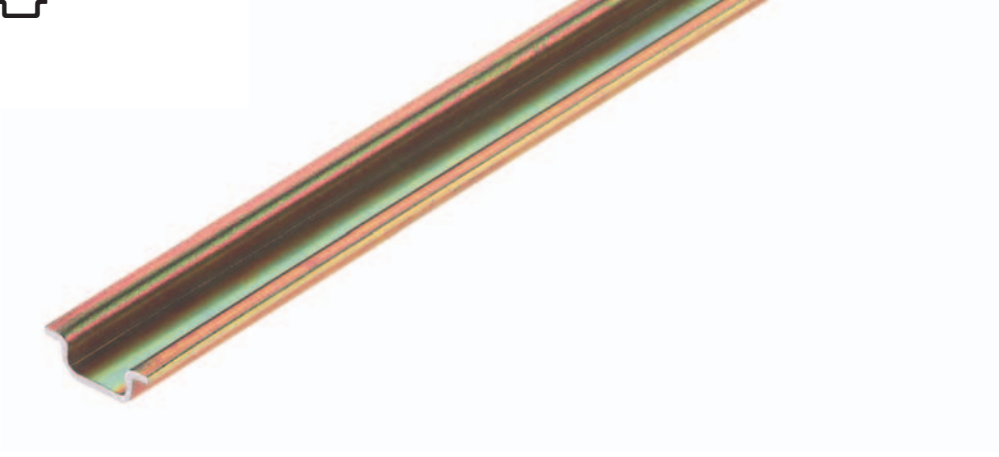
Possible diameters are 3.5 / 5.6 / 5.5 / 7 mm.

All unperforated steel rails can also be supplied with welded on steel studs (state dimension a and required studs).

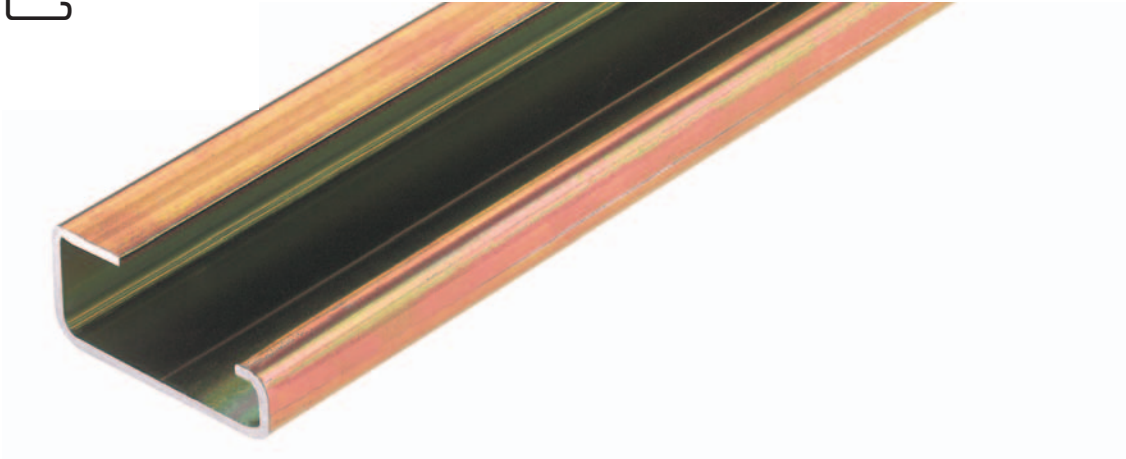


Mounting rails

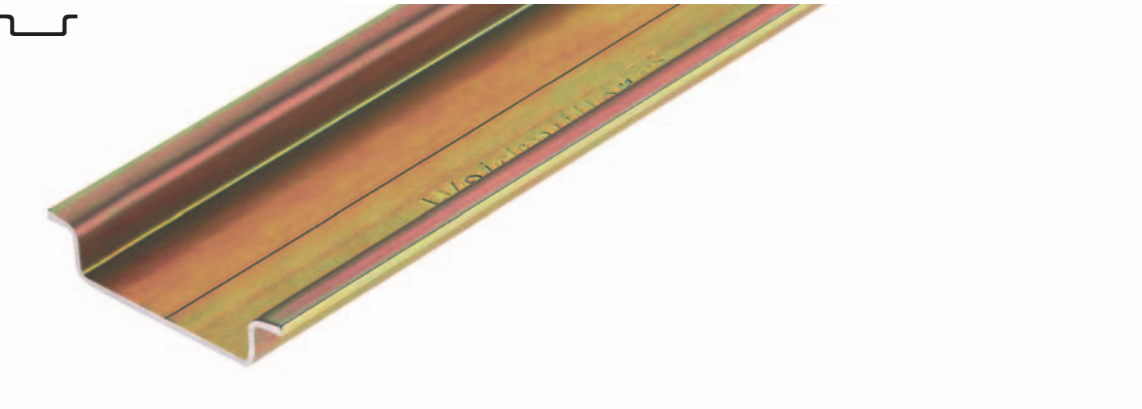
TS 15 



TS 32 



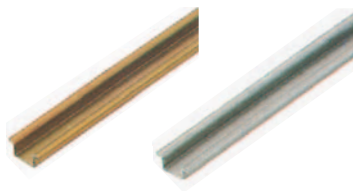
TS 35 



Mounting rail systems

TS15 mounting rail

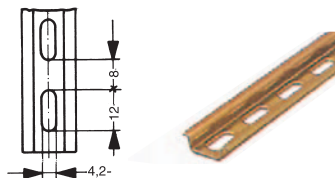
Unperforated



TS 15 x 5

Aluminium, bright	Short-circuit strength	Material thickness	Length	Qty	Order no.
TS 15x5 2M/AL/BK (max. tolerable rated current for PEN function = 76 A)	16 mm ²	1 mm	2 m	10 m	0134700000
Steel, galvanised / yellow passivated					
TS 15x5 2M/ST/ZN	10 mm ²	1 mm	2 m	2 m	0514200000
TS 15x5 1M/ST/ZN	10 mm ²	1 mm	1 m	10 m	0514210000

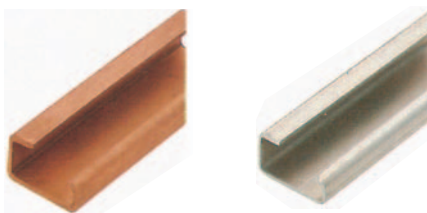
With slatted hole



Aluminium, bright	Short-circuit strength	Material thickness	Length	Qty	Order no.
TS 15x5/LL 2M/AL/BK (max. tolerable rated current for PEN function = 76 A)	16 mm ²	1 mm	2 m	2 m	0217900000
Steel, galvanised / yellow passivated					
TS 15x5/LL 2M/ST/ZN	10 mm ²	1 mm	2 m	2 m	0117500000
TS 15x5/LL 1M/ST/ZN	10 mm ²	1 mm	1 m	10 m	0117510000

TS 32 mounting rail

Unperforated



TS 32 x 15

Aluminium, bright	Short-circuit strength	Material thickness	Length	Qty	Order no.
TS 32X15 2M/AL/BK (max. tolerable rated current for PEN function = 192 A)	70 mm ²	1,5 mm	2 m	2 m	0169300000
Steel, galvanised / yellow passivated					
TS 32X15 2M/ST/ZN	35 mm ²	1,5 mm	2 m	2 m	0122800000
TS 32X15 1M/ST/ZN	35 mm ²	1,5 mm	1 m	10 m	0122810000

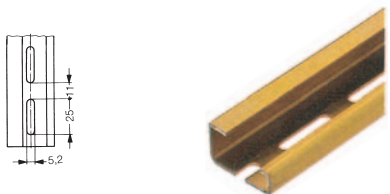
Copper, bright

TS 32X16.2 2M/CU/BK (max. tolerable rated current for PEN function = 269 A)	120 mm ²	2,1 mm	2 m	2 m	0364300000
--	---------------------	--------	-----	-----	-------------------

Stainless steel, bright

TS 32X15 2M/CRN	35 mm ²	1,5 mm	2 m	2 m	0293220000
-----------------	--------------------	--------	-----	-----	-------------------

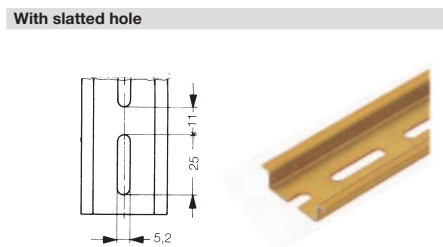
With slatted hole



Steel, galvanised / yellow passivated	Short-circuit strength	Material thickness	Length	Qty	Order no.
TS 32X15/LL 2M/ST/ZN	35 mm ²	1,5 mm	2 m	2 m	0514400000
TS 32X15/LL 1M/ST/ZN	35 mm ²	1,5 mm	1 m	10 m	0514410000

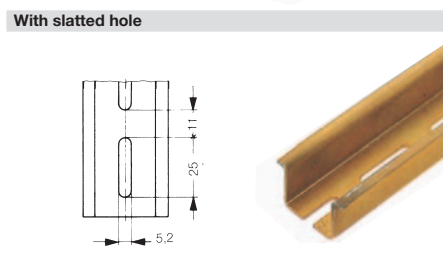
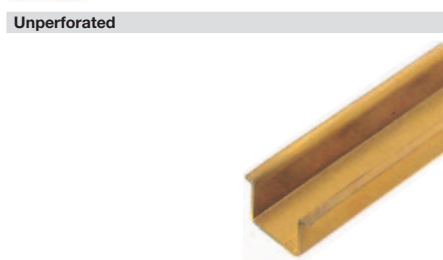
Mounting rail systems

TS 35 mounting rail



TS 35 x 7,5

Material	Short-circuit strength	Material thickness	Length	Qty	Order no.
Aluminium, bright					
TS 35X7.5 2M/AL/BK	35 mm ²	1 mm	2 m	2 m	0330800000
(max. tolerable rated current for PEN function = 125 A)					
Steel, galvanised / yellow passivated					
TS 35X7.5 2M/ST/ZN	16 mm ²	1 mm	2 m	2 m	0383400000
TS 35X7.5 1M/ST/ZN	16 mm ²	1 mm	1 m	10 m	0383410000
Stainless steel, bright					
TS 35X7.5 2M/CRN	16 mm ²	1 mm	2 m	2 m	1747350000
Steel, galvanised / yellow passivated					
TS 35X7.5/LL 2M/ST/ZN	16 mm ²	1 mm	2 m	2 m	0514500000
TS 35X7.5/LL 1M/ST/ZN	16 mm ²	1 mm	1 m	10 m	0514510000
Steel, galvanised / blue passivated					
TS 35X7.5/LL 2M/ST/ZN /WS/BL	16 mm ²	1 mm	2 m	2 m	0514580000



TS 35 x 15

Material	Short-circuit strength	Material thickness	Length	Qty	Order no.
Copper, bright					
TS 35X15/2.3 2M/CU/BK	150 mm ²	2.3 mm	2 m	2 m	0270100000
(max. tolerable rated current for PEN function = 309 A)					
Steel, galvanised / yellow passivated					
TS 35X15/2.3 2M/ST/ZN	50 mm ²	2.3 mm	2 m	2 m	0498000000
Aluminium, bright					
TS 35X15/2.3 2M/AL/BK	70 mm ²	2.3 mm	2 m	2 m	1848290000
(max. tolerable rated current for PEN function = 192 A)					
Steel, galvanised / yellow passivated					
TS 35X15 2M/ST/ZN	25 mm ²	1.5 mm	2 m	2 m	0236400000
TS 35X15 1M/ST/ZN	25 mm ²	1.5 mm	1 m	10 m	0236410000
Steel, galvanised / yellow passivated					
TS 35X15/LL 2M/ST/ZN	25 mm ²	1.5 mm	2 m	2 m	0236500000
TS 35X15/LL 1M/ST/ZN	25 mm ²	1.5 mm	1 m	10 m	0236510000



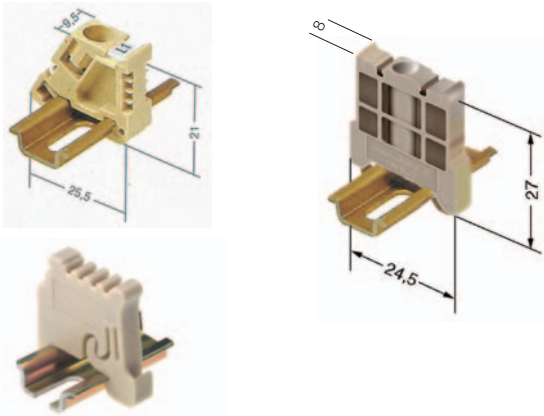
TSK 35 x 15

Material	Length	Qty	Order no.
PVC RAL 7035			
TSK 35X15 2M PVC/GR	2 m	2 m	0514300000

Mounting rail systems

End holders

For TS 15 mounting rail

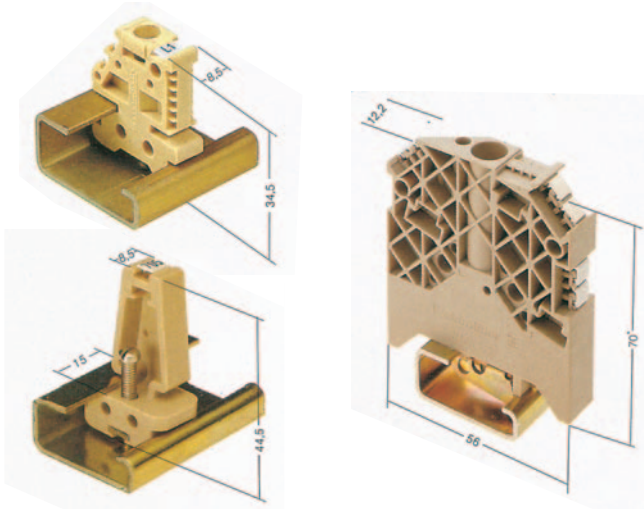


Polyamide 66, screwable	Colour	Torque	Qty	Order no.
EWK AKA 2.5	Beige	0.4 Nm	50	0348660000
EW 15	Beige	0.4 Nm	50	0382860000

Polyamide with fibreglass, screwable	Colour	Torque	Qty	Order no.
EW 15/2	Dark beige	0.4 Nm	50	1071900000

Polyamide 66, screwless	Colour	Torque	Qty	Order no.
ZEW 15	Beige	-	20	7920340000

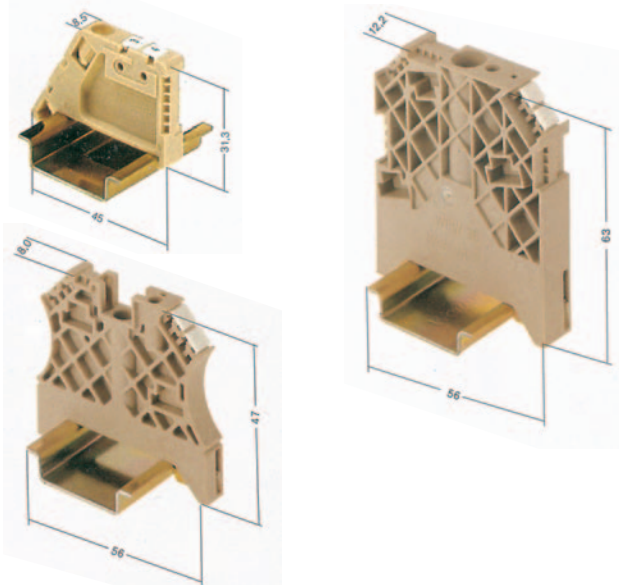
For mounting rail TS 32



Polyamide 66, screwable	Colour	Torque	Qty	Order no.
EWK 2	Beige	1.2 Nm	50	0199360000
EWK 1 TS 32 M4X18	Beige	1.2 Nm	50	0206160000
EWK 1 ALT	Beige	0.6 Nm	50	0495160000

Polyamide with fibreglass, screwable	Colour	Torque	Qty	Order no.
WEW 32/1	Dark beige	0.5 Nm	50	1067600000

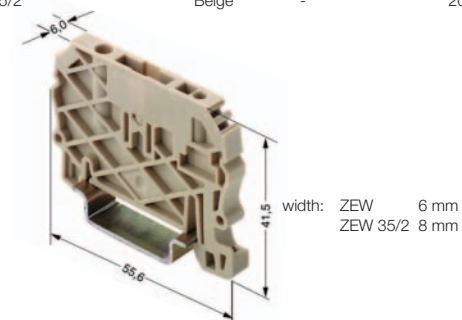
For mounting rail TS 35



Polyamide 66, screwable	Colour	Torque	Qty	Order no.
EW 35 GR	Grey	0.5 Nm	50	0383530000
EW 35	Beige	0.5 Nm	50	0383560000

Polyamide with fibreglass, screwable	Colour	Torque	Qty	Order no.
WEW 35/1	Dark beige	1.2 Nm	50	1059000000
WEW-35/2	Dark beige	0.5 Nm	100	1061200000

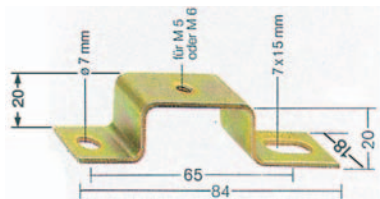
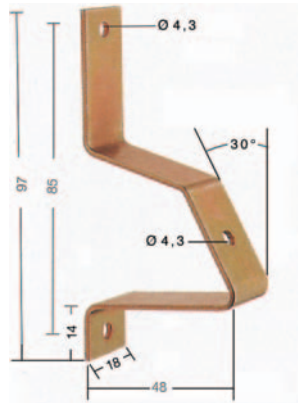
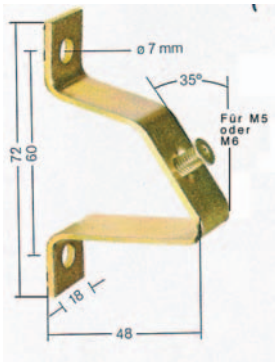
Polyamide 66, screwless	Colour	Torque	Qty	Order no.
ZEW	Beige	-	20	9540000000
ZEW 35/2	Beige	-	20	8630740000



Mounting rail systems

Mounting rail supports / Mounting feet

Mounting rail supports



	Thread	Qty	Order no.
TSTW 5/M5	M5	10	0178100000
TSTW 5/M5 verzinkt	M5	10	1779100000
TSTW 6/M6	M6	10	0164000000
TSTW D 4.3	Hole \varnothing 4,3 mm	10	1610110000

Mounting rail supports of type **TSTW** are used for angled fixing of mounting rails at an angle of 35°.

TST 2/M5	M5	10	1286600000
TST 2/M6	M6	10	0101700000

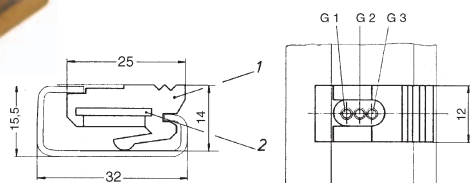
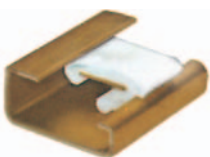
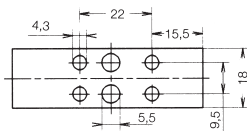
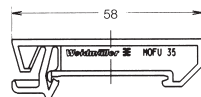
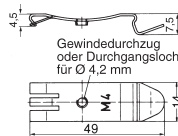
The **TST** mounting rail support is used for assembly of mounting rails in a frame or over a cut-out

Fixing screws

FKSC M5x8 \varnothing 9	50	0295900000
FKSC M6x8 \varnothing 9	50	0642600000
FKSC M6x12 \varnothing 9	50	0353500000

Weidmüller supplies fixing screws with hexagonal sockets and a very low head for the mounting rail supports so that the terminals can also be fitted over the screw.

Mounting feet



Clip-on foot, steel for TS 35	Thread	Qty	Order no.
FM 4	M4	40	0687900000
FM 5	M5	40	0636800000
FM 6	M6	40	0636900000
FM 4.2	Hole \varnothing 4,2 mm	40	1724580000

Assembly foot, PA orange for TS 35

MOFU 35/LO/1	With holes	20	0646260000
MOFU 35		20	0495660000

Sliding nut for TS 34

	Colour	Qty	Order no.
MB M3/M5	M3 and M5	20	0503500000
MB M5/M3	M5 and M3	20	0553400000
MB M6/M4	M6 and M4	20	0334900000

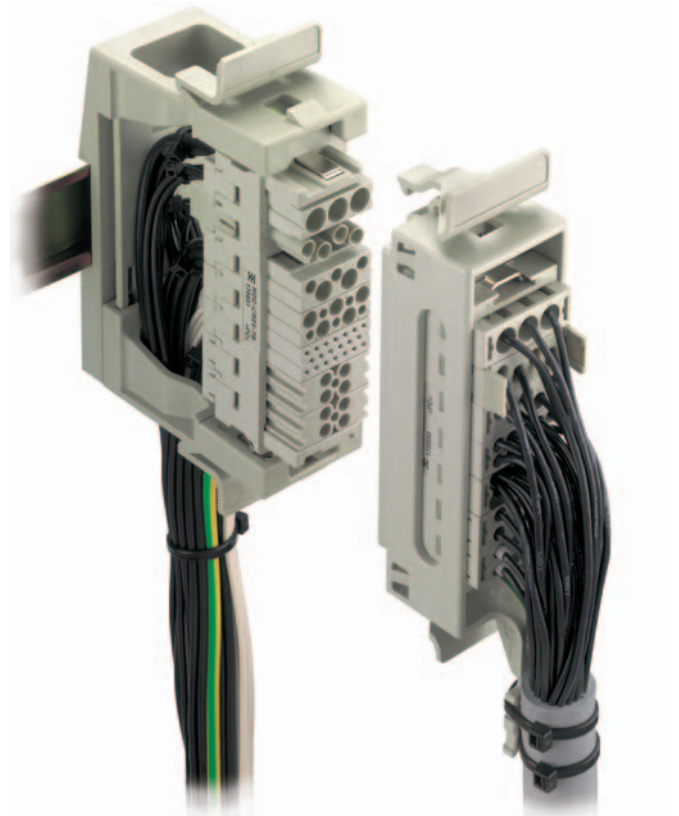
The sliding nut for the RS 32 mounting rail has two threaded holes for screws M3 + M5 / M6 + M4 / M5 + M3.

It is used to fasten components which cannot be slotted directly onto the TS 32, in particular the smaller TS 15 top hat rail.

This enables, for example, mini-terminals to be snapped onto the TS 15 first, and this rail is then fastened together with the terminals to the TS 32 using the sliding nut.

Mounting rail systems

RailMate mounting rail system for the TS 35 x 7.5 and TS 35 x 15 mounting rails



F

To save costs, it is possible to dispense with an expensive die cast aluminium enclosure within a switch cabinet. The IP-20 solution RailMate can be used instead.

The mounting rail assembly system can be used to mount the inserts of the heavy-duty plug-in connectors and also the “ConCept” modular plug-in connector system on the mounting rail. This is all done without tools, simply by clipping the parts on. A large surface at the base of the insert receptacle and on the frame allow for clear identification of equipment.

In the switch cabinet, RailMate lets the user accommodate the maximum number of electrical connections in a minimum area.

Mounting rail systems

RailMate mounting rail assembly system Order data for individual components

2 insert receptacle bottoms

Base plate with slider

Insert receptacle frame for sizes 3, 4, 6 and 8

Rider (adjusts to sizes 3, 4, 6 and 8)

Order data individual components

Type	For inserts of size	Qty	Order no.
Insert receptacle frame			
HDC RailMate HB6 Top	3	10	1797540000
HDC RailMate HB10 Top	4	10	1797550000
HDC RailMate HB16 Top	6	10	1797560000
HDC RailMate HB24 Top	8	10	1797570000
Base plate, rider and 2 insert receptacle bottoms			
HDC RailMate Basis	3, 4, 6, 8	1	1797580000

Order data sets

Type	For inserts of size	Qty	Order no.
HDC RailMate HB6 Set	3	1	1797500000
HDC RailMate HB10 Set	4	1	1797510000
HDC RailMate HB16 Set	6	1	1797520000
HDC RailMate HB24 Set	8	1	1797530000
Each set consists of:			
	1 base plate		
	1 slider		
	2 insert receptacle bottoms		
	1 insert receptacle frame		

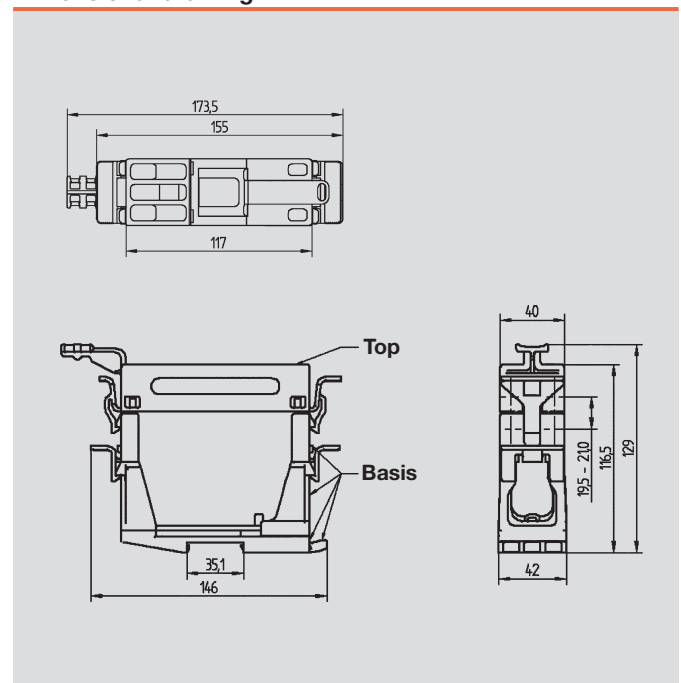
Technical data

Material	PC
Properties	Contains no phosphorous and halogen
Colour	Pebble grey (RAL 7032)
Temperature range	-40°C ... +125°C
Flammability class	V-0 acc. to UL 94

Accessories

Type		Qty	Order no.
Coding set			
HDC RailMate COS	50 poles and plugs 6 different coding versions	1	1798260000
Marking labels for laser printer (1 sheet = 264 labels)			
LM MT 300 20/8	Silver	10 sheets	1686380001
LM MT 300 20/8	White	10 sheets	1686381044
LM MT 300 20/8	Yellow	10 sheets	1686381687
Marking labels for thermotransfer printer (1 roll = 10,000 labels)			
THM MT30X 32/9	Silver	1 roll	1751770001
LM MT 300 20/8	White	1 roll	1751771044
LM MT 300 20/8	Yellow	1 roll	1751771687

Dimensional drawing



Articles with coloured order number are kept permanently in stock at the central warehouse in Germany.
Delivery times see page X.2

