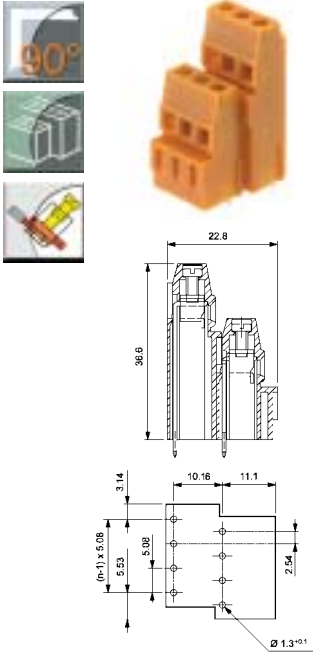




**LM2H 5.08/90** new



Technical data	VDE	UL	CSA
Rated voltage (V)	250*	300	300
Rated current (A)	15	10	10
Wire size (mm <sup>2</sup> /AWG)	1.5	24...12	14

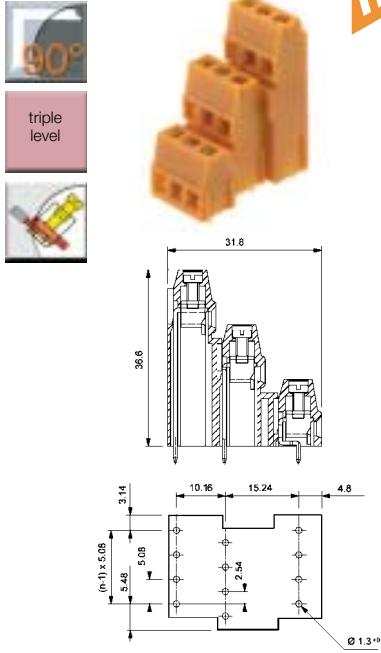
\*Pollution severity 3 / Overvoltage category III  
Additional technical data see page 53

Solder pin length **3.5 mm** **3.5 mm**

Color		●		●	
Poles	Type	Part No.	Part No.	Qty.	
4	LM2H 5.08/4/90	1769240000	1769470000	50	
6	LM2H 5.08/6/90	1769250000	1769480000	50	
8	LM2H 5.08/8/90	1769260000	1769490000	50	
10	LM2H 5.08/10/90	1769270000	1769500000	50	
12	LM2H 5.08/12/90	1769280000	1769510000	20	
14	LM2H 5.08/14/90	1769290000	1769520000	20	
16	LM2H 5.08/16/90	1769300000	1769530000	20	
18	LM2H 5.08/18/90	1769310000	1769540000	20	
20	LM2H 5.08/20/90	1769320000	1769550000	20	
22	LM2H 5.08/22/90	1769330000	1769560000	20	
24	LM2H 5.08/24/90	1769340000	1769570000	10	
26	LM2H 5.08/26/90	1769350000	1769580000	10	
28	LM2H 5.08/28/90	1769360000	1769590000	10	
30	LM2H 5.08/30/90	1769370000	1769600000	10	
32	LM2H 5.08/32/90	1769380000	-	10	
34	LM2H 5.08/34/90	1769390000	-	10	
36	LM2H 5.08/36/90	1769400000	-	10	
38	LM2H 5.08/38/90	1769410000	-	10	
40	LM2H 5.08/40/90	1769420000	-	10	
42	LM2H 5.08/42/90	1769430000	-	10	
44	LM2H 5.08/44/90	1769440000	-	10	
46	LM2H 5.08/46/90	1769450000	-	10	
48	LM2H 5.08/48/90	1769460000	-	10	

Accessories	Page
Marking	42
Mounting	-
Miscellaneous	45

**LM3R 5.08/90** new



Technical data	VDE	UL	CSA
Rated voltage (V)	250*	300	300
Rated current (A)	13.5	10	10
Wire size (mm <sup>2</sup> /AWG)	1.5	24...12	14

\*Pollution severity 3 / Overvoltage category III  
Additional technical data see page 53

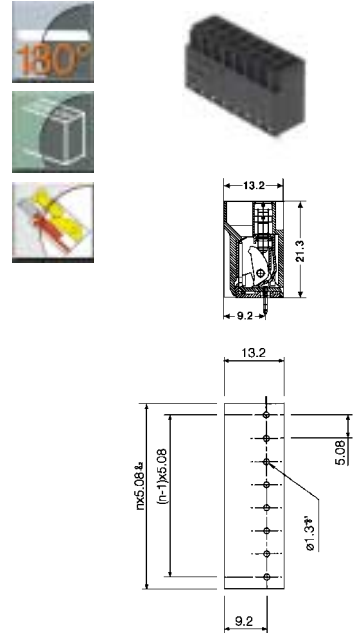
Solder pin length **3.5 mm** **3.5 mm**

Color		●		●	
Poles	Type	Part No.	Part No.	Qty.	
6	LM3R 5.08/6/90	1769620000	1769930000	50	
9	LM3R 5.08/9/90	1769630000	1769940000	50	
12	LM3R 5.08/12/90	1769640000	1769950000	50	
15	LM3R 5.08/15/90	1769650000	1769960000	25	
18	LM3R 5.08/18/90	1769660000	1769970000	25	
21	LM3R 5.08/21/90	1769670000	1769980000	25	
24	LM3R 5.08/24/90	1769680000	1769990000	20	
27	LM3R 5.08/27/90	1769690000	1770000000	20	
30	LM3R 5.08/30/90	1769700000	1770010000	10	
33	LM3R 5.08/33/90	1769710000	1770020000	10	
36	LM3R 5.08/36/90	1769720000	1770030000	10	
39	LM3R 5.08/39/90	1769730000	1770040000	10	
42	LM3R 5.08/42/90	1769740000	1770050000	10	
45	LM3R 5.08/45/90	1769750000	1770060000	10	
48	LM3R 5.08/48/90	1769760000	-	10	
51	LM3R 5.08/51/90	1769770000	-	10	
54	LM3R 5.08/54/90	1769780000	-	10	
57	LM3R 5.08/57/90	1769790000	-	10	
60	LM3R 5.08/60/90	1769800000	-	10	
63	LM3R 5.08/63/90	1769810000	-	10	
66	LM3R 5.08/66/90	1769820000	-	10	
69	LM3R 5.08/69/90	1769830000	-	10	
72	LM3R 5.08/72/90	1769840000	-	10	

Design compatible with LP3R and LM3RZF Series

Accessories	Page
Marking	42
Mounting	-
Miscellaneous	45

**LMT 5.08/180**



Technical data	VDE	UL	CSA
Rated voltage (V)	250*	300	300
Rated current (A)	17.5	10	18
Wire size (mm <sup>2</sup> /AWG)	1.5	26...14	14

\*Pollution severity 3 / Overvoltage category III  
Additional technical data see page 56

Solder pin length **3.2 mm** **4.5 mm**

Color		●		●	
Poles	Type	Part No.	Part No.	Qty.	
2	LMT 5.08/2/180	1692860000	1692750000	100	
3	LMT 5.08/3/180	1692870000	1692760000	100	
4	LMT 5.08/4/180	1692880000	1692770000	100	
5	LMT 5.08/5/180	1692890000	1692780000	50	
6	LMT 5.08/6/180	1692900000	1692790000	50	
7	LMT 5.08/7/180	1692910000	1692800000	50	
8	LMT 5.08/8/180	1692920000	1692810000	50	
9	LMT 5.08/9/180	1692930000	1692820000	25	
10	LMT 5.08/10/180	1692940000	1692830000	25	
11	LMT 5.08/11/180	1692950000	1692840000	25	
12	LMT 5.08/12/180	1692960000	1692850000	25	

Design compatible with LPZF 5.08/180 on page 25

Attention: We recommend protecting the 2 and 3 pole blocks of the LMT 5.08/180 from twisting by using additional support.

Accessories	Page
Marking	-
Mounting	-
Miscellaneous	45