

**Cutting, stripping and crimping tool  
STRIPAX PLUS 2.5**

**Weidmüller Interface GmbH & Co. KG**  
Klingenbergstraße 26  
D-32758 Detmold  
Germany  
Fon: +49 5231 14-0  
Fax: +49 5231 14-292083  
www.weidmueller.com

**Cutting, stripping and crimping tools for  
connected wire-end ferrules strips**

- Cutting
- Stripping
- Crimping
- Automatic feeding of wire end ferrules
- Ratchet guarantees precise crimping
- Release option in the event of incorrect operation
- Efficient: only one tool needed for cable work, and thus significant time saved

**General ordering data**

Type	STRIPAX PLUS 2.5
Order No.	<a href="#">902000000</a>
Version	Cutting, stripping and crimping tool, Crimping tool for wire-end ferrules, 0.5mm <sup>2</sup> , 2.5mm <sup>2</sup> , Trapezoidal crimp
GTIN (EAN)	4008 190067267
Qty.	1 pc(s).

Creation date August 16, 2020 10:26:57 AM CEST

Catalogue status 24.07.2020 / We reserve the right to make technical changes.

**Cutting, stripping and crimping tool  
STRIPAX PLUS 2.5**

**Weidmüller Interface GmbH & Co. KG**  
 Klingenbergstraße 26  
 D-32758 Detmold  
 Germany  
 Fon: +49 5231 14-0  
 Fax: +49 5231 14-292083  
 www.weidmueller.com

**Technical data**
**Dimensions and weights**

Width	210 mm	Width (inches)	8.268 inch
Weight	260 g	Net weight	250.91 g

**Environmental Product Compliance**

REACH SVHC	Lead 7439-92-1
------------	----------------

**Technical data**

Version	Mechanical, without interchangeable inserts
---------	---

**Description of contact**

Type of contact	Strips of linked wire-end ferrules	Crimping range, min.	0.5 mm <sup>2</sup>
Crimping range, max.	2.5 mm <sup>2</sup>	Conductor cross-section, max. AWG	AWG 14
Conductor cross-section, min. AWG	AWG 20		

**tool data crimping**

Crimping profile 1, min.	0.5 mm <sup>2</sup>	Crimping type/profile	Trapezoidal crimp
Wire end ferrules cross-section, min.	0.5 mm <sup>2</sup>	Crimping profile 1, max.	0.75 mm <sup>2</sup>
Wire end ferrules cross-section, max.	2.5 mm <sup>2</sup>	Crimping profile 2, min.	1 mm <sup>2</sup>
Crimping profile 2, max.	1.5 mm <sup>2</sup>	Crimping profile 3, min.	2.5 mm <sup>2</sup>

**Classifications**

ETIM 6.0	EC002109	ETIM 7.0	EC002109
eClass 9.0	21-04-37-06	eClass 9.1	21-04-37-06
eClass 10.0	21-04-37-06	UNSPSC	31-16-31-02

**Approvals**

Approvals


**Downloads**

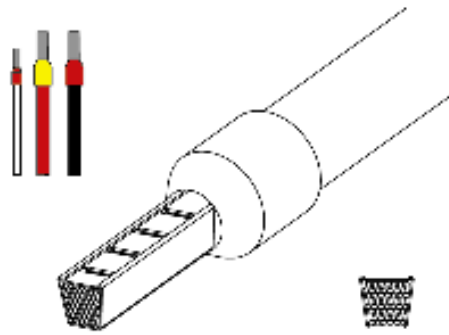
Brochure/Catalogue	<a href="#">CAT 6 TOOLS 15/16 EN</a>
Engineering Data	<a href="#">WSCAD</a>
Engineering Data	<a href="#">STEP</a>
User Documentation	<a href="#">Manual</a>

**Data sheet**

**Cutting, stripping and crimping tool  
STRIPAX PLUS 2.5**

**Weidmüller Interface GmbH & Co. KG**  
Klingenbergstraße 26  
D-32758 Detmold  
Germany  
Fon: +49 5231 14-0  
Fax: +49 5231 14-292083  
www.weidmueller.com

**Drawings**



**Example of use**



**Example of use**



**Example of use**

