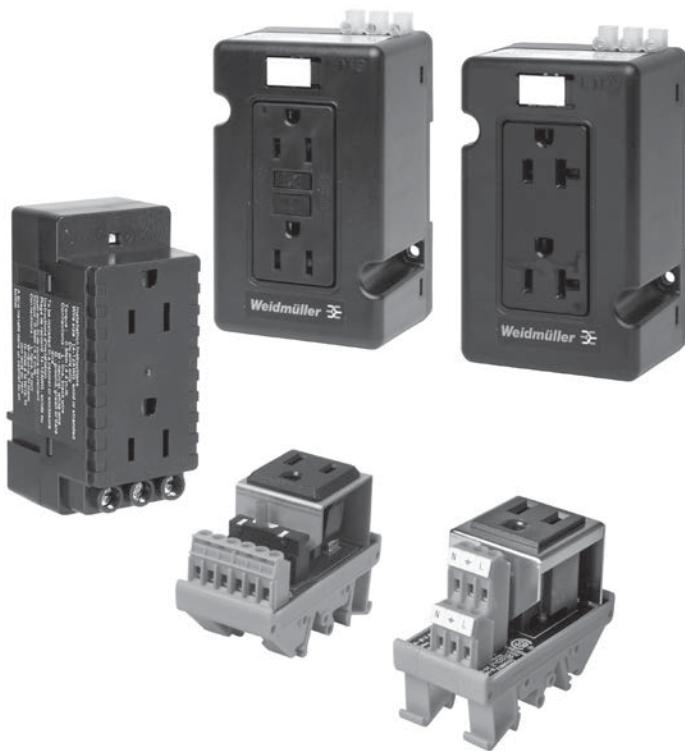


Datasheet

AC Outlet

DIN-Rail Mountable Receptacles



DIN-rail receptacles, 5A, 15A and 20A power outlets, provide a convenient power source for portable computers or test devices for in-the-panel troubleshooting. They mount on standard 35mm DIN-rail. The terminations accept slotted or Phillips screwdrivers. The mounting foot includes a latching lock - slide it open, mount the module on the DIN-rail and slide the lock closed.

- Easily snaps onto 35mm DIN-rail
- Panel mountable, model dependent
- 5A, 15A or 20A versions
- Easy to wire
- Available with ground fault current interrupt (GFCI) or standard outlets
- Optional power-on indication with GFCI*
- NEMA rated enclosure with UL94 VO flammability rating
- UL508A, cULus, and cURus and CSA* approved
- Latching mounting foot makes installation and removal from DIN-rail easy

*Applies to part number 6720005430

Weidmuller, Canada

10 Spy Court
Markham, Ontario L3R 5H6
Telephone: (800) 268-4080
Facsimile: (877) 300-5635
Email: info1@weidmuller.ca
Website: www.weidmuller.ca

Weidmuller, Mexico

Bldv. Hermanos Serdán 698,
Col. San Rafael Oriente
Puebla, Puebla, Mexico
C.P. 72029
Telephone: 01 222 2686267
Facsimile: 01 222 2686219
Email: clientes@weidmuller.com.mx
Website: www.weidmuller.com.mx

Weidmuller, United States

821 Southlake Blvd.
Richmond, Virginia 23236
Telephone: (800) 849-9343
Facsimile: (804) 379-2593
Email: info@weidmuller.com
Website: www.weidmuller.com

15 Amp

15 Amp Duplex

15 Amp GFCI



Technical data

| | |
|-------------------------------------|---|
| Technical data | |
| Voltage | 120 VAC nominal, 125 VAC max. |
| Current | 15A max. |
| Operating Frequency | 50 - 60 Hz |
| Dielectric Voltage | Withstands 2000V per UL498 |
| Short-Circuit Current Rating (SCCR) | 10 kA |
| Current Interrupting | 2 kA |
| Trip Level | N/A |
| Termination Wire Size | 20 - 10 AWG (solid or stranded, copper only) |
| Terminal Torque | 0.79Nm/7 lb.-in. |
| Terminations | Screw terminals, slotted |
| Temperature | |
| Operating | -25°C to 60°C |
| Storage | -35°C to 80°C |
| Material Listing | |
| Enclosure Cover, Flammibility | PBT/polycarbonate blend, UL94 rating V0 @ .63mm |
| Enclosure Base, Flammibility | Polyamide 6/6 30% GF, UL94 rating V0 @ .63mm |
| Spring | Stainless Steel |
| Mounting | |
| Width | 74.1mm/2.9 in. |
| Length | 123.6mm/4.9 in. |
| Height | 61.5mm/2.4 in. |
| Approvals/Certifications | |
| Enclosure Type | NEMA WD6, 5-15R |

| | |
|-------------------------------------|--|
| Technical data | |
| Voltage | 120 VAC nominal, 125 VAC max. |
| Current | 15A max. |
| Operating Frequency | 50 - 60 Hz |
| Dielectric Voltage | Withstands 2000V per UL498 |
| Short-Circuit Current Rating (SCCR) | 10 kA |
| Current Interrupting | 2 kA |
| Trip Level | N/A |
| Termination Wire Size | 20 - 10 AWG (solid or stranded, copper only) |
| Terminal Torque | 0.79Nm/7 lb.-in. |
| Terminations | Screw terminals, slotted |
| Temperature | |
| Operating | -25°C to 60°C |
| Storage | -35°C to 80°C |
| Material Listing | |
| Enclosure Cover, Flammibility | PBT/polycarbonate blend, UL94 rating V0 @ .63mm |
| Enclosure Base, Flammibility | Polyamide 6/6 30% GF, UL94 rating V0 @ .63mm |
| Spring | Stainless Steel |
| Mounting | |
| Width | 74.1mm/2.9 in. |
| Length | 123.6mm/4.9 in. |
| Height | 61.5mm/2.4 in. |
| Description | |
| | cULus Listed to UL508A and C22.2 No. 14 File E223801 NEMA WD6, 5-15R |

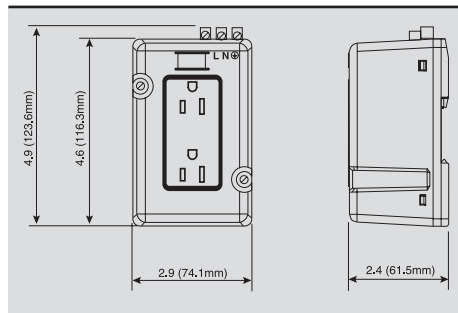
| | |
|-------------------------------------|--|
| Technical data | |
| Voltage | 120 VAC nominal, 125 VAC max. |
| Current | 15A max. |
| Operating Frequency | 50 - 60 Hz |
| Dielectric Voltage | Withstands 1500V per UL498 |
| Short-Circuit Current Rating (SCCR) | 10 kA |
| Current Interrupting | 10 kA |
| Trip Level | 5mA ± 1mA |
| Termination Wire Size | 20 - 10 AWG (solid or stranded, copper only) |
| Terminal Torque | 0.79Nm/7 lb.-in. |
| Terminations | Screw terminals, slotted |
| Temperature | |
| Operating | -25°C to 60°C |
| Storage | -35°C to 80°C |
| Material Listing | |
| Enclosure Cover, Flammibility | PBT/polycarbonate blend, UL94 rating V0 @ .63mm |
| Enclosure Base, Flammibility | Polyamide 6/6 30% GF, UL94 rating V0 @ .63mm |
| Spring | Stainless Steel |
| Mounting | |
| Width | 74.1mm/2.9 in. |
| Length | 123.6mm/4.9 in. |
| Height | 61.5mm/2.4 in. |
| Description | |
| | cULus Listed to UL508A and C22.2 No. 14 File E223801 NEMA WD6, 5-15R |

Ordering data

| | |
|-------------|-----------------|
| Type | Part No. |
| DRAC DP 15 | 6720005421 |

| | |
|-------------|-----------------|
| Type | Part No. |
| DRAC GF 15 | 6720005422 |

| | |
|-------------|-----------------|
| Type | Part No. |
| DRAC GF 15 | 6720005422 |



20 Amp

20 Amp Duplex

20 Amp GFCI



Technical data

| | |
|-------------------------------------|---|
| Technical data | |
| Voltage | 120 VAC nominal, 125 VAC max. |
| Current | 20A max. |
| Operating Frequency | 50 - 60 Hz |
| Dielectric Voltage | Withstands 2000V per UL498 |
| Short-Circuit Current Rating (SCCR) | 10 kA |
| Current Interrupting | 2 kA |
| Trip Level | N/A |
| Termination Wire Size | 20 - 10 AWG (solid or stranded, copper only) |
| Terminal Torque | 0.79Nm/7 lb.-in. |
| Terminations | Screw terminals, slotted |
| Temperature | |
| Operating | -25°C to 60°C |
| Storage | -35°C to 80°C |
| Material Listing | |
| Enclosure Cover, Flammability | PBT/polycarbonate blend, UL94 rating V0 @ .63mm |
| Enclosure Base, Flammability | Polyamide 6/6 30% GF, UL94 rating V0 @ .63mm |
| Spring | Stainless Steel |
| Mounting | |
| Width | 74.1mm/2.9 in. |
| Length | 123.6mm/4.9 in. |
| Height | 61.5mm/2.4 in. |
| Approvals/Certifications | |
| Enclosure Type | NEMA WD6, 5-20R |

| | |
|--|---|
| Technical data | |
| Voltage | 120 VAC nominal, 125 VAC max. |
| Current | 20A max. |
| Operating Frequency | 50 - 60 Hz |
| Dielectric Voltage | Withstands 2000V per UL498 |
| Short-Circuit Current Rating (SCCR) | 10 kA |
| Current Interrupting | 2 kA |
| Trip Level | N/A |
| Termination Wire Size | 20 - 10 AWG (solid or stranded, copper only) |
| Terminal Torque | 0.79Nm/7 lb.-in. |
| Terminations | Screw terminals, slotted |
| Temperature | |
| Operating | -25°C to 60°C |
| Storage | -35°C to 80°C |
| Material Listing | |
| Enclosure Cover, Flammability | PBT/polycarbonate blend, UL94 rating V0 @ .63mm |
| Enclosure Base, Flammability | Polyamide 6/6 30% GF, UL94 rating V0 @ .63mm |
| Spring | Stainless Steel |
| Mounting | |
| Width | 74.1mm/2.9 in. |
| Length | 123.6mm/4.9 in. |
| Height | 61.5mm/2.4 in. |
| Description | |
| cULus Listed to UL508A and C22.2 No. 14 File E223801 | |
| NEMA WD6, 5-20R | |

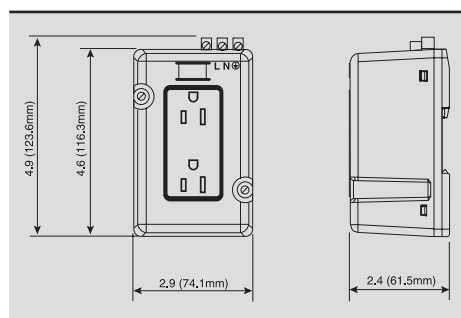
| | |
|--|---|
| Technical data | |
| Voltage | 120 VAC nominal, 125 VAC max. |
| Current | 20A max. |
| Operating Frequency | 50 - 60 Hz |
| Dielectric Voltage | Withstands 1500V per UL498 |
| Short-Circuit Current Rating (SCCR) | 10 kA |
| Current Interrupting | 10 kA |
| Trip Level | 5mA ± 1mA |
| Termination Wire Size | 20 - 10 AWG (solid or stranded, copper only) |
| Terminal Torque | 0.79Nm/7 lb.-in. |
| Terminations | Screw terminals, slotted |
| Temperature | |
| Operating | -25°C to 60°C |
| Storage | -35°C to 80°C |
| Material Listing | |
| Enclosure Cover, Flammability | PBT/polycarbonate blend, UL94 rating V0 @ .63mm |
| Enclosure Base, Flammability | Polyamide 6/6 30% GF, UL94 rating V0 @ .63mm |
| Spring | Stainless Steel |
| Mounting | |
| Width | 74.1mm/2.9 in. |
| Length | 123.6mm/4.9 in. |
| Height | 61.5mm/2.4 in. |
| Description | |
| cULus Listed to UL508A and C22.2 No. 14 File E223801 | |
| NEMA WD6, 5-20R | |

Ordering data

| | |
|-------------|-----------------|
| Type | Part No. |
| DRAC DP 20 | 6720005420 |

| | |
|-------------|-----------------|
| Type | Part No. |
| DRAC GF 20 | 6720005423 |

| | |
|-------------|-----------------|
| Type | Part No. |
| DRAC GF 20 | 6720005423 |



Compact 15 Amp

This new DIN-rail mountable duplex receptacle makes adding a 120V maintenance AC outlet to control cabinets quick and easy. It mounts on standard 35mm DIN-rail and requires just 42mm of rail space. An LED indicates that 120V is applied to the module. The terminations accept slotted or Phillips screwdrivers. The mounting foot includes a latching lock – slide it open, mount the module on the DIN-rail and slide the lock closed.

- requires just 42mm of DIN-rail
- includes power status LED
- latching mounting foot makes installation and removal from DIN-rail easy
- CSA certified and cURus recognized

15 Amp Duplex w/LED



Technical data

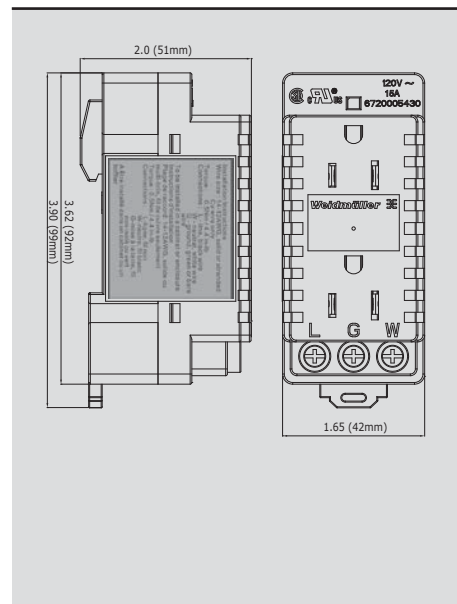
| | |
|---------------------------------|---|
| Voltage | 120 VAC nominal |
| Current | 15A max. |
| Wire Size (AWG) | 14-12 AWG (Solid or stranded, copper only) |
| Stripping Length mm/in. | 8.8-11 / 0.347-0.433 |
| Terminations | Screw terminals, slotted or Phillips "L":line "W":neutral "G":ground |
| Terminal Torque | 0.5Nm/4.4 in-lb |
| Mounting | TS35 DIN-Rail |
| Width | 42mm/1.65 in. |
| Length | 99mm/3.90 in. |
| Height | 51mm/2.01 in. |
| Approvals/Certifications | CSA certified, file 25 1163, Project 2345434, according to C22.2 No. 42 cURus recognized, file E340886, according to UL498 and C22.2 No. 182.3 |

| | |
|--------------------|---|
| Description | CSA certified, file 25 1163, Project 2345434, according to C22.2 No. 42 cURus recognized, file E340886, according to UL498 and C22.2 No. 182.3 |
|--------------------|---|

Ordering data

| |
|--|
| |
| |
| |

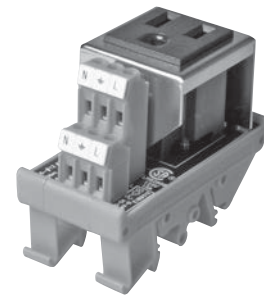
| Type | Part No. |
|----------------------------|------------|
| DUPLEX 120VAC OUTLET W/LED | 6720005430 |



Simplex

5 Amp Simplex w/ Circuit Breaker

15 Amp Simplex w/o Circuit Breaker



Technical data

| |
|-------------------------|
| Voltage |
| Current |
| Wire Size (AWG) |
| Stripping Length mm/in. |
| Terminal Torque |
| Mounting |
| Width |
| Length |
| Height |

| |
|--|
| 120 VAC |
| 5A max. |
| 26 - 12 AWG (0.14 - 4.0mm ²) |
| 6mm |
| 0.5-0.6 Nm |
| TS32 or TS35 DIN-Rail |
| 35mm/1.38 in. |
| 70mm/2.76 in. |
| 58.5mm/2.30 in. |

| |
|--|
| 120 VAC |
| 15A max. |
| 26 - 12 AWG (0.14 - 4.0mm ²) |
| 6mm |
| 0.5-0.6 Nm |
| TS32 or TS35 DIN-Rail |
| 35mm/1.38 in. |
| 70mm/2.76 in. |
| 58.5mm/2.30 in. |

Approvals/Certifications

Description

UL LR-229352, UL E252394

Description

UL LR-229352, UL E252394

Ordering data

| |
|--|
| |
| |
| |

| Type | Part No. |
|--|-------------------|
| Single outlet with circuit breaker (supplemental protector with manual reset via push button) | 9915480001 |

| Type | Part No. |
|---------------------------------------|-------------------|
| Single outlet without circuit breaker | 9915480000 |

