

## OMNIMATE Power - Powerbus series PTSC KA 2.2X4.5 WN1412

**Weidmüller Interface GmbH & Co. KG**  
Klingenbergstraße 26  
D-32758 Detmold  
Germany  
Fon: +49 5231 14-0  
Fax: +49 5231 14-292083  
www.weidmueller.com



### No task is too small when creating the perfect solution. />

Connections form just one part of the overall process. Small details are often the key to the perfect solution in applications where potentials are tested, grouped or even isolated.

A system is not a system without small but useful details:

- Test plugs - ensure reliable pick-up from diagnostic sockets
- Cross-connectors - ensure a stable electrical distribution contact directly at the connection
- Compartment partition elements - divide a large number of male connectors into several separate socket connector channels
- Locks and clips - optional vibration-resistant clip-on connection or mounting for male and female connectors

In tandem with the manufacturing process and application - more accessories = smaller workload

### General ordering data

Type	PTSC KA 2.2X4.5 WN1412
Order No.	<a href="#">1610740000</a>
Version	PCB plug-in connector, Accessories, Mounting screw, Number of poles: 1
GTIN (EAN)	4008190039523
Qty.	100 pc(s).
Product data	

## OMNIMATE Power - Powerbus series PTSC KA 2.2X4.5 WN1412

**Weidmüller Interface GmbH & Co. KG**  
 Klingenbergstraße 26  
 D-32758 Detmold  
 Germany  
 Fon: +49 5231 14-0  
 Fax: +49 5231 14-292083  
 www.weidmueller.com

## Technical data

### Dimensions and weights

Net weight 0.2 g

### Material data

Insulating material	Steel	Storage temperature, min.	-25 °C
Storage temperature, max.	50 °C	Max. relative humidity during storage	70 %
Operating temperature, min.	-50 °C	Operating temperature, max.	100 °C
Temperature range, installation, min.	-25 °C	Temperature range, installation, max.	100 °C

### Rated data acc. to IEC

tested acc. to standard IEC 60664-1, IEC 61984

### Packing

VPE length	5 mm	VPE width	30 mm
VPE height	40 mm		

### Classifications

ETIM 6.0	EC002943	ETIM 7.0	EC002943
eClass 9.0	27-44-04-92	eClass 9.1	27-44-04-92
eClass 10.0	27-44-04-92	UNSPSC	30-21-18-01

### Notes

IPC conformity Conformity: The products are developed, manufactured and delivered according international recognized standards and norms and comply with the assured properties in the data sheet resp. fulfill decorative properties in accordance with IPC-A-610 "Class 2". Further claims on the products can be evaluated on request.

### Approvals

ROHS Conform

### Downloads

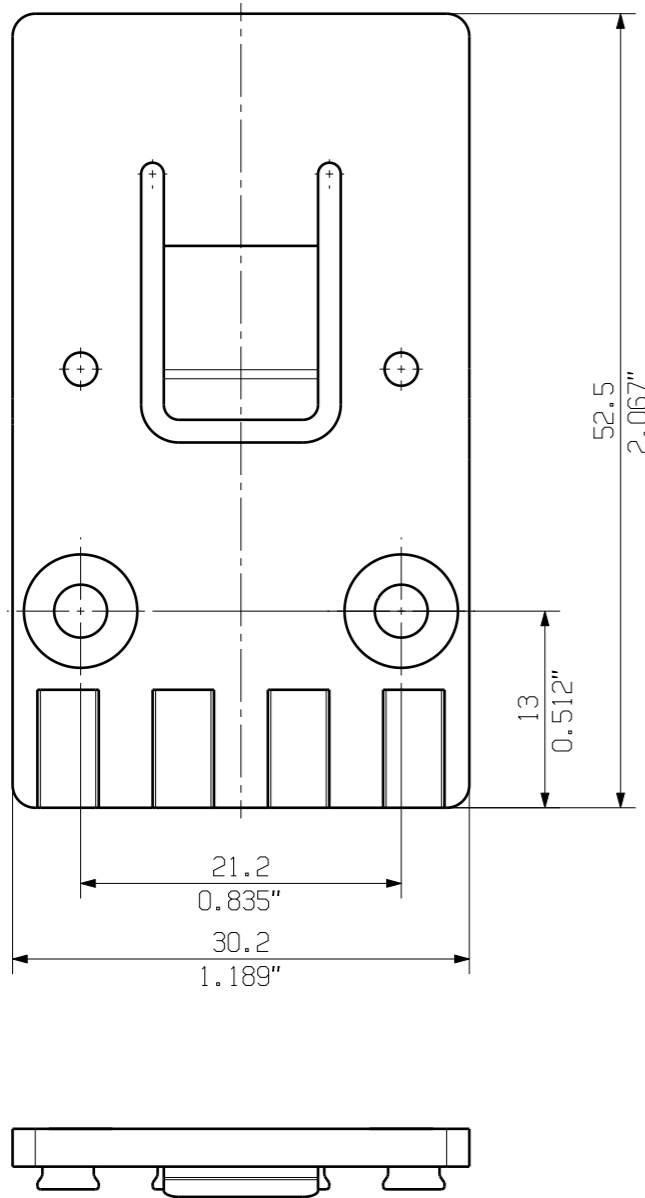
Approval/Certificate/Document of Conformity	<a href="#">Declaration of the Manufacturer</a>
Brochure/Catalogue	<a href="#">MB DEVICE MANUF. EN</a> <a href="#">CAT 2 PORTFOLIOGUIDE EN</a> <a href="#">FL 72H SAMPLE SER EN</a> <a href="#">PO OMNIMATE EN</a>

MASSE OHNE TOLERANZ SIND KEINE PRUEFMASSE  
 DIMS. WITHOUT TOLERANCE ARE NOT CONTROL DIMS.

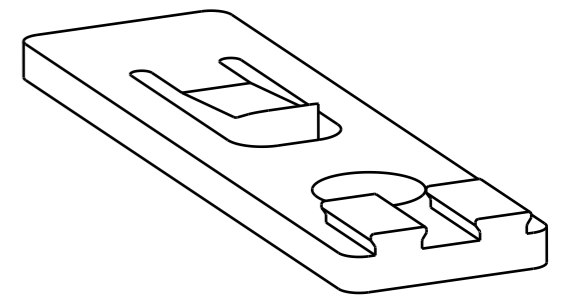
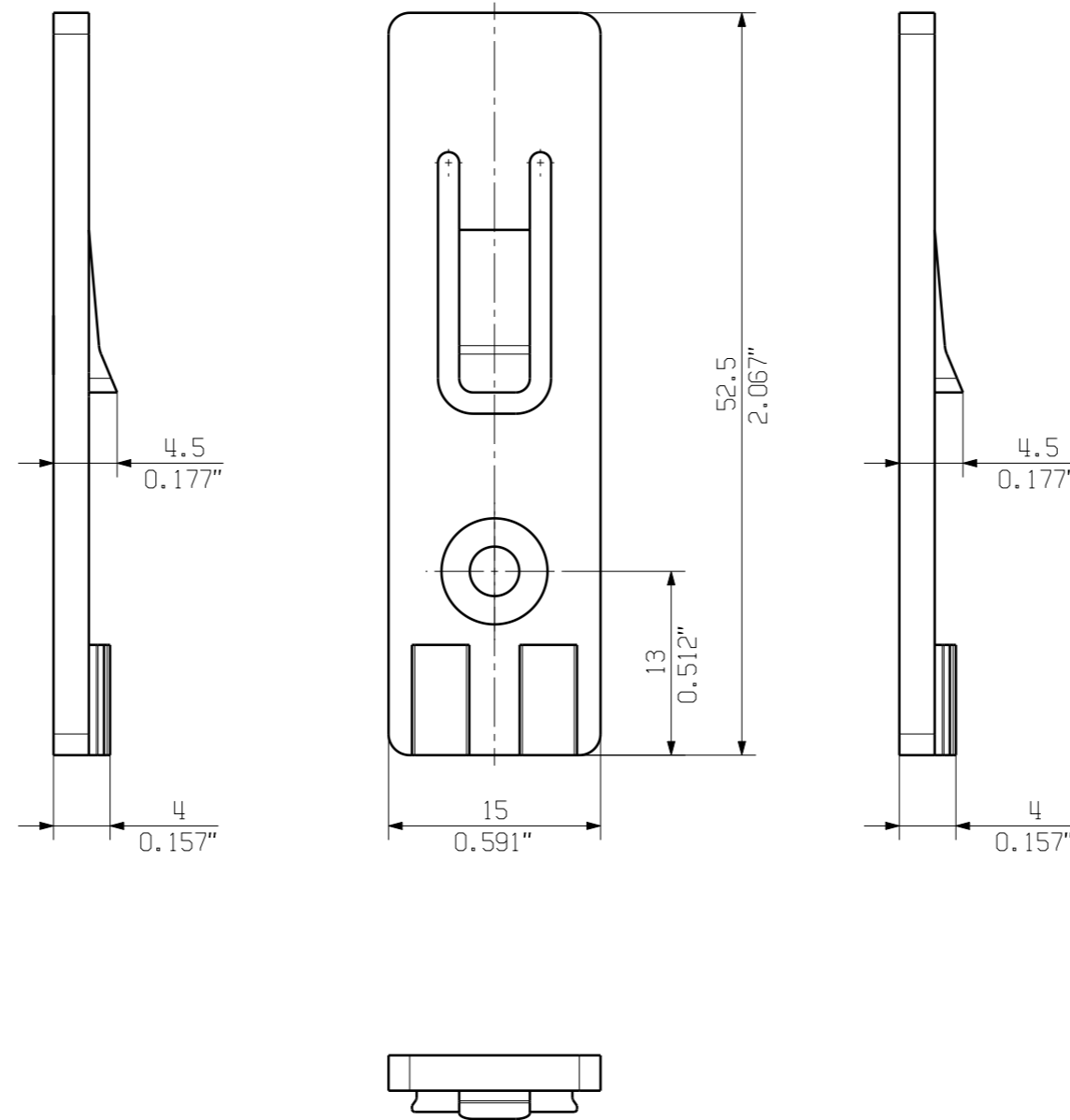
ALLGEMEINGUELTIGE KUNDENZEICHNUNG, AKTUELLER STAND NUR AUF ANFRAGE  
 GENERAL CUSTOMER DRAWING, TOPICAL VERSION ONLY IF REQUIRED

DIE DEUTSCHE VERSION IST VERBINDLICH  
 THE GERMAN VERSION IS BINDING

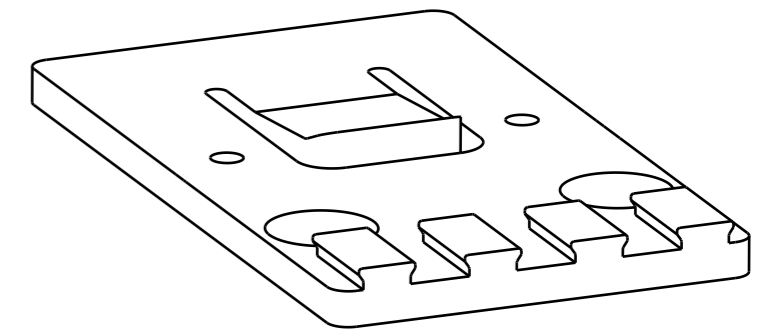
SHOWN: ARPL BV/SV7.62HP/4AN



SHOWN: ARPL BV/SV7.62HP/2AN



ARPL BV/SV7.62HP/2AN



ARPL BV/SV7.62HP/4AN

PA 66/6 V0 30 GF GR	BV/SV7.62HP/4AN ARPL GR	1937580000
PA 66/6 V0 30 GF GR	BV/SV7.62HP/2AN ARPL GR	1937570000
WERKSTOFF MATERIAL	TYP PART NAME	BEST.-NR. CAT.NO.

GENERAL TOLERANCE: DIN ISO 2768-mK		CAT.NO.: .	
	MAX. NRN./NOS.	84373/5 29.09.15 GUETZLAFF_T 01	
		MODIFICATION	
		DATE	NAME
	DRAWN	12.12.2005	NEUMANN_G
	RESPONSIBLE		KRUG_M
SCALE: 2/1	CHECKED	02.10.2015	LANG_T
SUPERSEDES: .	APPROVED		LANG_T
		<b>BV/SV7.62HP... ARPL</b> ADAPTERPLATTE ADAPTER PLATE	
		PRODUCT FILE: SV/BVZ 7.62 HP	7340

WEITERGABE SOWIE Vervielfaeltigung dieses Dokuments, Verwertung und Mitteilung seines Inhalts sind verboten, soweit nicht ausdruuecklich gestattet.  
 ZUWIDERHANDLUNGEN VERPFLICHTEN ZU SCHADENERSATZ. ALLE RECHTE FUER DEN FALL DER PATENT-, GEBRAUCHSMUSTER- ODER GESCHMACKSMUSTEREINTRAGUNG VORBEHALTEN.  
 THE REPRODUCTION, DISTRIBUTION AND UTILIZATION OF THIS DOCUMENT AS WELL AS THE COMMUNICATION OF ITS CONTENTS TO OTHERS WITHOUT EXPLICIT AUTHORIZATION IS PROHIBITED.  
 OFFENDERS WILL BE HELD LIABLE FOR THE PAYMENT OF DAMAGES. WEIDMUELLER EXCLUSIVELY RESERVES THE RIGHT TO FILE FOR PATENTS, UTILITY MODELS OR DESIGNS.  
 © WEIDMUELLER INTERFACE GmbH & Co.KG