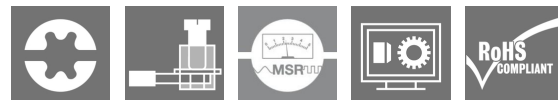


VSSC

VSSC6SL LD24VAC/DC0.5A

Weidmüller Interface GmbH & Co. KG
 Klingenbergstraße 26
 D-32758 Detmold
 Germany
 Fon: +49 5231 14-0
 Fax: +49 5231 14-292083
 www.weidmueller.com



Overvoltage coupling along the conductor path may disturb or destroy sensitive signal inputs. It is important to provide protection in the immediate vicinity of I&C devices. Weidmüller's broad product range for the I&C sector offers products in a 2-piece, pluggable design and modular terminals for tension clamp or screw connection. These products are suitable for both binary and analogue signals. Weidmüller also offers other designs with integrated components such as gas discharge tubes or varistors. VARITECTOR stands for flexible and variable surge protection by Weidmüller, tested according to product standard IEC61643-21. The VARITECTOR series can be used in applications according to IEC 61643-22 / VDE 0845-3 for classes C1, C2, C3 and D1. The VARITECTOR SPC, SSC and MCZ OVP product families optimally combine electrical and mechanical properties. Size and easy handling play an important role. This surge protection is suited for confined spaces in industrial and process automation as well as in building automation applications.

General ordering data

Type	VSSC6SL LD24VAC/DC0.5A
Order No.	1064350000
Version	Surge protection for instrumentation and control, 24 V, 34 V, 500 mA, IEC 61643-21
GTIN (EAN)	4032248829712
Qty.	10 pc(s).

VSSC
VSSC6SL LD24VAC/DC0.5A

Weidmüller Interface GmbH & Co. KG
 Klingenbergstraße 26
 D-32758 Detmold
 Germany
 Fon: +49 5231 14-0
 Fax: +49 5231 14-292083
 www.weidmueller.com

Technical data**Dimensions and weights**

Width	6.2 mm	Width (inches)	0.244 inch
Height	88.5 mm	Height (inches)	3.484 inch
Depth	81 mm	Depth (inches)	3.189 inch
Net weight	41.6 g		

Temperatures

Humidity	5...96 %	Operating temperature, max.	70 °C
Operating temperature, min.	-40 °C	Storage temperature, max.	80 °C
Storage temperature, min.	-40 °C	Operating temperature	-40 °C...70 °C
Storage temperature	-40 °C...80 °C		

Probability of failure

λges	54	MTTF	2,114 Jahre
PFH in 1*10 ⁻⁹ per hour	1.8	SFF	96.67 %
SIL in compliance with IEC 61508	3		

Environmental Product Compliance

REACH SVHC	Lead 7439-92-1
------------	----------------

Rated data UL

Certificate No. (UL)	E311081	UL certificate	UL Zertifikat
----------------------	---------	----------------	---------------

CSA protection data

Gas group C	IIB	Gas group D	IIA
Gas groups A, B	IIC	Input current, max. I _i	500 mA
Input voltage, max. U _i	42 V	Internal capacity, max. C _i	2 nF
Internal inductance, max. L _i	0 μH		

General data

Colour	black	Design	Terminal
Isolating function	No	Optical function display	Yes
Protection degree	IP20	Rail	TS 35
Segment	Measurement - Monitoring - Setting	UL 94 flammability rating	V-0
Version	Surge protection for measurement and control		

Insulation coordination acc. to EN 50178

Pollution severity	2	Surge voltage category	III
--------------------	---	------------------------	-----

VSSC
VSSC6SL LD24VAC/DC0.5A

Weidmüller Interface GmbH & Co. KG
 Klingenbergstraße 26
 D-32758 Detmold
 Germany
 Fon: +49 5231 14-0
 Fax: +49 5231 14-292083
 www.weidmueller.com

Technical data**Rated data IEC / EN**

Rated voltage (AC)	24 V	Rated voltage (DC)	34 V
Voltage type	AC/DC	Max. continuous voltage, U_c (AC)	30 V
Max. continuous voltage, U_c (DC)	42 V	Discharge current, max. (8/20 μ s)	20 kA
Discharge current I_n (8/20 μ s) wire-PE	2.5 kA	Discharge current I_{max} (8/20 μ s) wire-PE	10 kA
Lightning test current I_{imp} (10/350 μ s)	1 kA	Lightning test current, I_{imp} (10/350 μ s)	1 kA
Fuse	0.5 A	Wire-PE	1 kA
Protection level U_p (typ.)	150 V	Standards	IEC 61643-21
Insertion loss	3.12 Mhz	Leakage current at U_n	2.8 mA
Overload - failure mode	Modus 2	Number of poles	1
Rated current I_N	500 mA	Pulse-reset capacity	\leq 20 ms
Signal transmission properties (-3 dB)	3.2 MHz	Requirements category acc. to IEC 61643-21	C2, C3, D1
Surge current-carrying capacity C3	10 A 10/1000 μ s	Surge current-carrying capacity C2	2.5 kA 8/20 μ s
Volume resistance	1.8 Ω 10 %	Surge current-carrying capacity D1	1 kA 10/350 μ s

Further details of approvals

GOST certificate GOST-Zertifikat

Connection data

Type of connection	Screw connection	Tightening torque, min.	0.5 Nm
Tightening torque, max.	0.8 Nm	Clamping range, min.	0.5 mm ²
Clamping range, max.	4 mm ²	Wire cross-section, solid, min.	0.5 mm ²
Wire cross-section, solid, max.	6 mm ²	Conductor cross-section, flexible, AEH (DIN 46228-1), min.	0.5 mm ²
Conductor cross-section, flexible, AEH (DIN 46228-1), max.	4 mm ²	Connection cross-section, stranded, min.	0.5 mm ²
Connection cross-section, stranded, max.	4 mm ²		

Classifications

ETIM 6.0	EC000943	ETIM 7.0	EC000943
eClass 9.0	27-13-08-07	eClass 9.1	27-13-08-07
eClass 10.0	27-13-08-07	UNSPSC	30-21-19-21

Approvals

Approvals



ROHS Conform

Downloads

Approval/Certificate/Document of Conformity	SIL Paper CE PAPER Declaration of Conformity
Brochure/Catalogue	CAT 4.4 ELECTR 16/17 EN
Engineering Data	EPLAN, WSCAD
Engineering Data	STEP
User Documentation	Instruction sheet VSSC

Creation date April 23, 2020 6:44:08 AM CEST

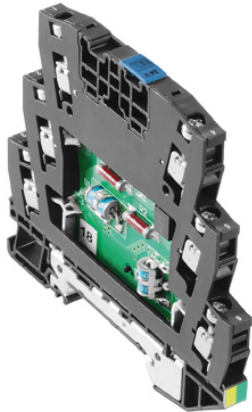
Catalogue status 17.04.2020 / We reserve the right to make technical changes.

Data sheet

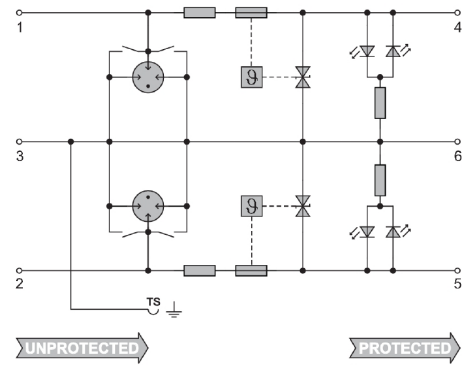
VSSC
VSSC6SL LD24VAC/DC0.5A

Weidmüller Interface GmbH & Co. KG
Klingenbergstraße 26
D-32758 Detmold
Germany
Fon: +49 5231 14-0
Fax: +49 5231 14-292083
www.weidmueller.com

Drawings



Similar to illustration



Circuit diagram

