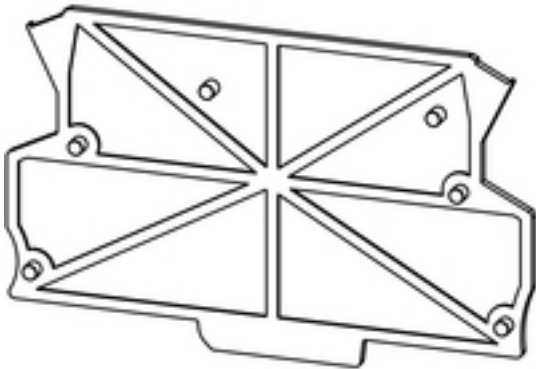


## OMNIMATE Housing - TERMINALBOX AP MCZ1.5 SW 1683

**Weidmüller Interface GmbH & Co. KG**  
Klingenbergstraße 26  
D-32758 Detmold  
Germany  
Fon: +49 5231 14-0  
Fax: +49 5231 14-292083  
www.weidmueller.com



Color: Black

Open miniature housing in modular terminal format with five tension clamp connections. A transparent hinged top plate can be used for labelling and provides access to potentiometer and status displays. Plug-in cross-connectors can be used to interconnect the three top connections. A cover plate for closing off the housing is also available.

### General ordering data

Type	AP MCZ1.5 SW 1683
Order No.	<a href="#">1046410000</a>
Version	End plate, OMNIMATE Housing - TERMINALBOX black, End plate, Width: 1.5 mm
GTIN (EAN)	4032248782246
Qty.	50 pc(s).

Creation date May 15, 2020 3:26:26 PM CEST

Catalogue status 01.05.2020 / We reserve the right to make technical changes.

**OMNIMATE Housing - TERMINALBOX  
AP MCZ1.5 SW 1683**

**Weidmüller Interface GmbH & Co. KG**  
 Klingenbergstraße 26  
 D-32758 Detmold  
 Germany  
 Fon: +49 5231 14-0  
 Fax: +49 5231 14-292083  
 www.weidmueller.com

**Technical data****Dimensions and weights**

Length	91 mm	Length (inches)	3.583 inch
Width	1.5 mm	Width (inches)	0.059 inch
Height	55.85 mm	Height (inches)	2.199 inch
Net weight	6.16 g		

**System characteristics**

Version	End plate	Protection degree	IP20
Power loss, max.	0.8 W		

**Material data**

Insulating material	Wemid (PA)	Colour	black
Colour chart (similar)	RAL 9011	Insulating material group	IIIa
Comparative Tracking Index (CTI)	≥ 600	UL 94 flammability rating	V-0
Storage temperature, min.	-25 °C	Storage temperature, max.	55 °C
Max. relative humidity during storage	80 %	Operating temperature, min.	-50 °C
Operating temperature, max.	120 °C	Temperature range, installation, min.	-25 °C
Temperature range, installation, max.	120 °C		

**Classifications**

ETIM 6.0	EC000886	ETIM 7.0	EC000886
eClass 9.1	27-14-11-33	eClass 10.0	27-14-11-33
UNSPSC	30-21-18-27		

**Approvals**

ROHS	Conform
------	---------

**Downloads**

Brochure/Catalogue	<a href="#">FL ANALO.SIGN.CONV. EN</a> <a href="#">MB DEVICE MANUF. EN</a> <a href="#">FL MACHINE SAFETY EN</a> <a href="#">FL 72H SAMPLE SER EN</a> <a href="#">PO OMNIMATE EN</a>
Engineering Data	<a href="#">WSCAD. Zuken E3.S</a>
Engineering Data	<a href="#">STEP</a>

**Data sheet**

**OMNIMATE Housing - TERMINALBOX  
AP MCZ1.5 SW 1683**

**Weidmüller Interface GmbH & Co. KG**  
Klingenbergstraße 26  
D-32758 Detmold  
Germany  
Fon: +49 5231 14-0  
Fax: +49 5231 14-292083  
[www.weidmueller.com](http://www.weidmueller.com)

**Drawings**

**Similar to illustration**

---

