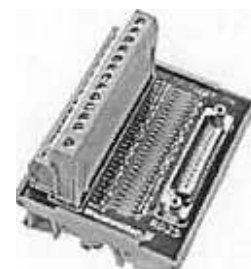


DSub Cable Interface

Part Number: 910642

RD-37JS, Male w/Accessory holes, Jackscrew

[View Drawing](#)[Sales Information](#)[Catalog Home](#)[Back to StepSearch](#)

Representative Photo

Selected Features

Module Width	70 mm
Number of Poles	37
Cable Connector Retainer	Jack Screw
Board Type	w/accessory holes
Gender	Male

Accessories

DIN-rail
End bracket
Ferrules
Markers (SchT)
Marking pens
Marking tags (DEK)
Mounting brackets
Tools

Additional Technical Data

Rail Type	Combi Foot
Maximum Operating Voltage	150 V
Maximum Operating Current	1.5 A

Module Dimensions (LxWxH) mm (in.)	116.8/70/70 (4.6"/2.76"/2.76")
Terminal Wire Marking	DEK 5
Insulation Stripping Length mm (in.)	7 (.275")
Operating Temperature Range	-25°C...+50°C
Storage Temperature Range	-40°C...+70°C

Top of Page

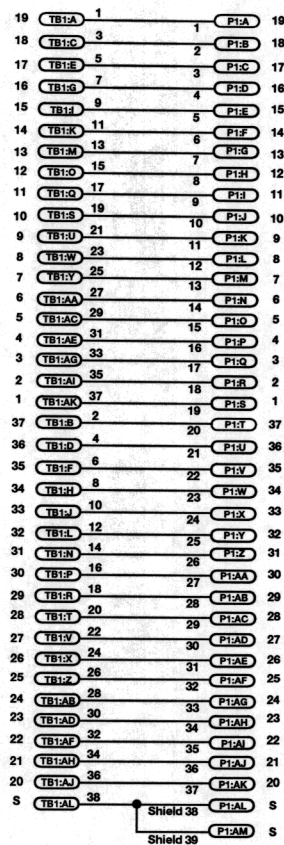
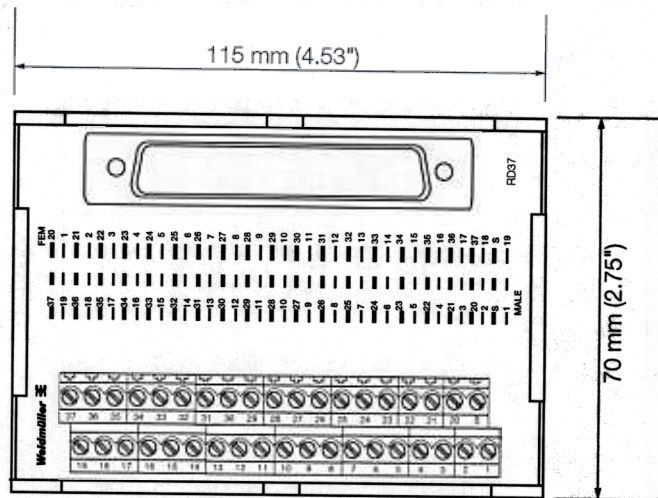
Product Liability The above information describes our products. It does not constitute guaranteed properties and is not intended to affirm the suitability of a product for a particular application. Regrettably, omissions and exceptions cannot be completely ruled out. Technical data are always specified by their average values. Exact data and the tolerances which apply to our processes can be requested from:

Weidmüller - North America
United States 001 (800) 849-9343
Canada 001 (800) 268-4080

or

Weidmüller - Germany
Telephone operator 0049 (-5252) 960-0





D-Subminiature
70 mm Width Housing
37 Poles
Jackscrew
Male w/ Accessory Holes

Weidmüller 

Part Number: 910642