

**socket; without strain relief housing; 2-pole**

Item No.: 890-222



socket; without strain relief housing; 2-pole

**Marking**

RoHS ✓  
Compliant

**Business data**

Supplier	WAGO
Item no.	890-222
EAN	4045454233174
Content	1
Order amount	50
Customer item number	

**Notes**

*Note: All connectors for fixed installations (snap-in versions for lighting fixtures, devices or all types of PCBs and distribution cabinets) are factory-equipped with locking levers to ensure plugs and sockets are securely locked. Additional locking levers are only required for "flying leads" (plug/socket). Note on Contact Resistance: approx. 1m contact resistance approx. 0.25m contact transition plug/socket Note on Continuous Service Temperature: -35°C to +85°C PVC cable for temperatures 70°C (including halogen-free) Insulating parts for temperatures 105°C Note on Protection Against Mismatching: All WINSTA® components are 100% protected against mismatching in terms of: a.) plugging different number of poles b.) plugging when turned by 180° c.) plugging when laterally staggered d.) plugging one pole Note on Protection Type: IP20, with strain relief housing (These compact connectors are not designed for use in open, easily accessible areas) Number of mating cycles: 200, without resistive load 100, with resistive load IN = 16A, tested (1.5mm<sup>2</sup>/AWG 16) Mating cycles: 100, with resistive load IN = 16 A, tested (1.5 mm<sup>2</sup>/AWG 16) Unmating force of a plug-in connection: when unlocked: approx. 20–70N (depending on number of poles)*

**Technical data**

Miscellaneous

No. of Poles	2
--------------	---

Technical data	
Total number of connection points	2
Total number of potentials	2
Color	white
Coding	A
Pollution degree (1)	3
Rated voltage EN (1) [V]	250 [V]
Rated surge voltage (1) [kV]	4 [kV]
Nominal current [A]	16 [A]
Connection technology (1)	CAGE CLAMP® S
Cross section from (1) [mm²]	0.25 [mm²]
Cross section up to (1) [mm²]	1.5 [mm²]
Cross section from (1) [AWG]	22 [AWG]
Cross section up to (1) [AWG]	16 [AWG]
Stripped length from (1) [mm]	9 [mm]
Stripped length up to (1) [mm]	9 [mm]
Stripped length (1) [in]	0.35 [in]
Mating force of a plug-in connection	approx. 20–70N (depending on number of poles)
Retention force of a plug-in connection	when locked: > 80N
Insulating material	Polyamide 6.6 V0, halogen-free (except cable)
Clamping spring material	Stainless steel
Contact material	Copper or copper alloy, surface-treated
Processing temperature	-5°C ... +40°C
Fire load [MJ]	0.052 [MJ]
Weight [g]	2.67 [g]
Width [mm]	10.4 [mm]
Width [in]	0.409 [in]
Height [mm]	11.7 [mm]
Height [in]	0.461 [in]
Length [mm]	34.1 [mm]
Length [in]	1.343 [in]

Approbation					
Item No.	Registration	Registration no.	Voltage [V]	Current [A]	Cross section [mm², AWG]

<b>Approbation</b>					
890-222	ABS	09-HG449432-PDA	250	16	1,5
890-222	GL	75499-09HH	250	16	1,5
890-222	LR	08/20047	250	16	0,25 -1,5
890-222	UL	E45171	600	10	16

**Accessories**

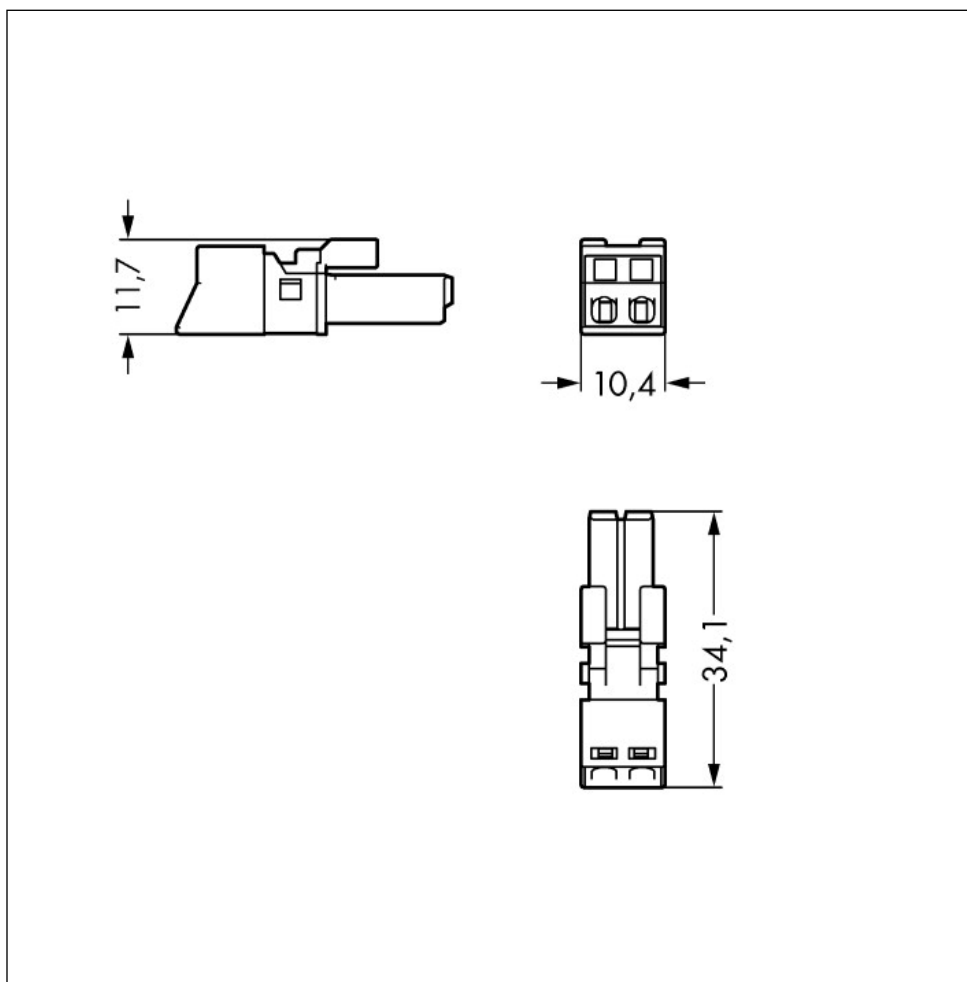
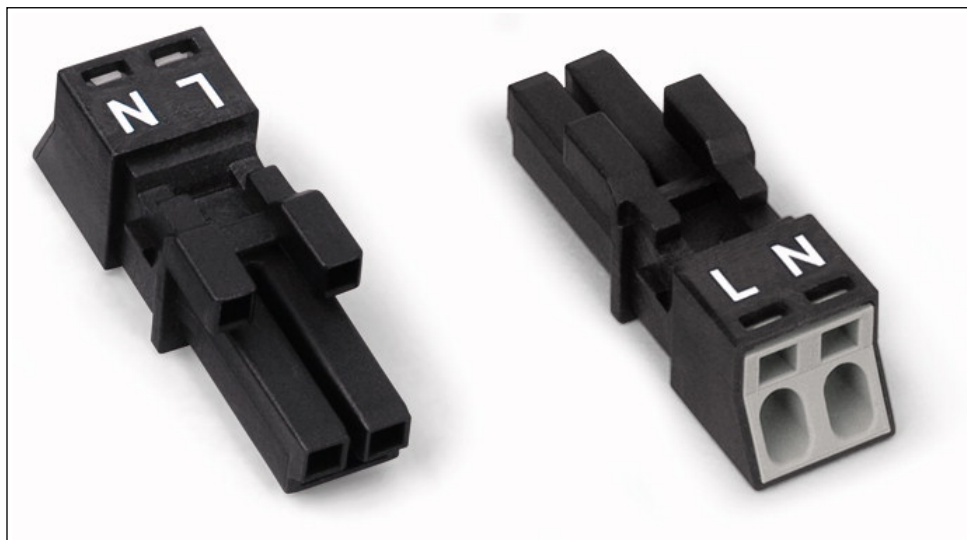
*Locking levers*

Item no.	Description	Pack. unit (Sub Pack)
890-111	Locking lever; tool operated; for "flying leads"	50
890-131	Locking lever; tool operated; for "flying leads"	50

*General accessory*

Item no.	Description	Pack. unit (Sub Pack)
890-392	Operating tool; of insulating material; 2-way	1

Images & drawings



**Address**

WAGO Kontakttechnik GmbH & Co. KG

Hansastr. 27

32423 Minden

Telefon: 0571/887-0

Fax: 0571/887-169

<http://www.wago.com>

© WAGO Kontakttechnik GmbH & Co. KG

Technische Änderungen und Irrtümer vorbehalten.