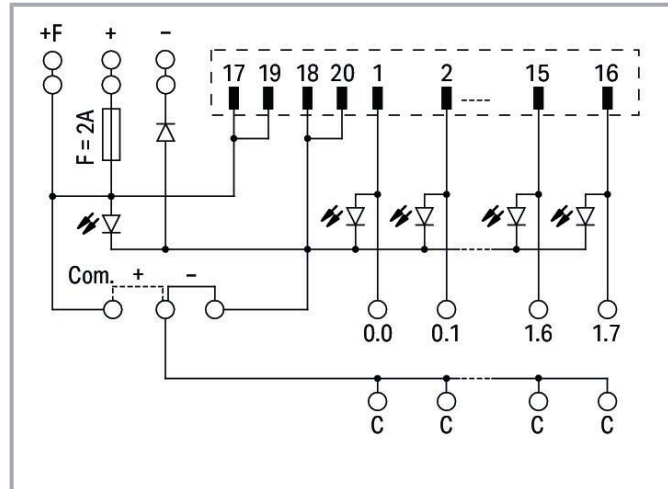


## Data sheet | Item number: 704-2024

Interface module for system wiring; Pluggable connector per DIN 41651;  
Male connector; 20-pole; 16-channel digital input or output; 2-wire  
connection; in mounting carrier

[www.wago.com/704-2024](http://www.wago.com/704-2024)



## Data

### Electrical data

Inputs/outputs	16-channel digital input or output
Circuit type	2-wire connection
Nominal operating voltage	DC 24 V
Operating voltage range	±10 %
Power consumption (status indication)	5 mA
Total current	2 A
Limiting continuous current	1 A
Status indicator	Green LED (channel) Yellow LED (power supply)
Internal fuse	2 A

### Safety and protection

Rated voltage	50 V
Rated surge voltage	0.8 kV
Pollution degree	2

Subject to changes. Please also observe the further product documentation!

WAGO Kontakttechnik GmbH & Co. KG  
Hansastr. 27  
32423 Minden  
Phone: +49571 887-0 | Fax: +49571 887-169  
Email: [info.de@wago.com](mailto:info.de@wago.com) | Web: [www.wago.com](http://www.wago.com)

Do you have any questions about our products?  
We are always happy to take your call at +49 (571) 887-44222.



## Connection data

### Compatible PLC Modules

WAGO I/O System 750  
WAGO I/O System 753  
Omron CJ1W  
Rockwell Compact Logix  
Rockwell Control Logix  
Schneider Modicon Quantum  
Schneider Modicon M340  
Schneider Twido  
Schneider TSX  
Schneider Modicon TM3  
GE Fanuc RX3i  
GE Fanuc 9030  
Siemens S7-1500  
Siemens S7-400  
Siemens S7-300

---

### Compatible PLC I/O Card Types

6ES7 313-5BE01-0AB0  
6ES7 313-5BG04-0AB0  
6ES7 313-6BE01-0AB0  
6ES7 313-6BF03-0AB0  
6ES7 313-6CE01-0AB0  
6ES7 313-6CF03-0AB0  
6ES7 314-6BF01-0AB0  
6ES7 314-6BG03-0AB0  
6ES7 314-6CF01-0AB0  
6ES7 314-6CG03-0AB0  
6ES7 321-1BH02-0AA0  
6ES7 321-1BH10-0AA0  
6ES7 321-1BH80-0AA0  
6ES7 321-1BL00-0AA0  
6ES7 321-1BL80-0AA0  
6ES7 321-1BP00-0AA0  
6ES7 321-7BH01-0AB0  
6ES7 321-7BH80-0AA0  
6ES7 322-1EH01-0AA0  
6ES7 322-8BH01/8BH10-0AB0  
6ES7 323-1BL00-0AA0  
6ES7 326-1BK01-0AB0  
6ES7 326-1RF00-0AB0  
6ES7 511-1CK00-0AB0  
6ES7 512-1CK00-0AB0  
6ES7 521-1BH00-0AA0  
6ES7 521-1BH10-0AA0  
6ES7 521-1BL00-0AB0  
6ES7 521-1BL10-0AA0  
6ES7 522-1BH00-0AB0

Subject to changes. Please also observe the further product documentation!

---

WAGO Kontakttechnik GmbH & Co. KG  
Hansastr. 27  
32423 Minden  
Phone: +49571 887-0 | Fax: +49571 887-169  
Email: [info.de@wago.com](mailto:info.de@wago.com) | Web: [www.wago.com](http://www.wago.com)

Do you have any questions about our products?  
We are always happy to take your call at +49 (571) 887-44222.



6ES7 522-1BH01-0AB0  
6ES7 522-1BH10-0AA0  
6ES7 522-1BL00-0AB0  
6ES7 522-1BL01-0AB0  
6ES7 522-1BL10-0AA0  
6ES7 523-1BL00-0AA0  
6ES7 526-2BF00-0AB0  
6ES7 526-1BH00-0AB0  
6ES7 421-7BH01-0AB0  
6ES7 421-1BL01-0AA0  
6ES7 422-7BL00-0AB0  
6ES7 422-1BL00-0AA0  
IC693 MDL241  
IC693 MDL640  
IC693 MDL643  
IC693 MDL645  
IC693 MDL646  
IC693 MDL655  
IC693 MDL740  
IC693 MDL742  
IC693 MDL753  
IC694 MDL655  
IC694 MDL753  
TM3 DI16(G)  
TM3 DI16K  
TM3 DI32K  
TM3 DQ16T(G)  
TM3 DQ16TK  
TM3 DQ32TK  
TSX DEZ 12D2K  
TSX DEZ 32D2  
TSX DSZ 32T2  
TSX DMZ 28DT  
TSX DMZ 28DTK  
TSX DMZ 64DTK  
TSX DEY 16D2  
TSX DEY 16FK  
TSX DEY 32D2K  
TSX DEY 64D2K  
TSX DSY 16T2  
TSX DSY 32T2K  
TSX DSY 64T2K  
TSX DMY 28FK  
TSX DMY 28RFK  
TM2 DDI 16DK  
TM2 DDI 32DK  
TM2 DDO 16TK  
TM2 DDO 32TK

Subject to changes. Please also observe the further product documentation!

---

WAGO Kontakttechnik GmbH & Co. KG

Hansastr. 27

32423 Minden

Phone: +49571 887-0 | Fax: +49571 887-169

Email: [info.de@wago.com](mailto:info.de@wago.com) | Web: [www.wago.com](http://www.wago.com)

Do you have any questions about our products?

We are always happy to take your call at +49 (571) 887-44222.



140 DDI 353 00  
140 DDI 364 00  
140 DSI 353 00  
140 DDO 353 00  
140 DDO 353 01  
140 DDO 364 00  
140 DVO 853 00  
140 DDM 390 00  
BMX DDI 1602  
BMX DDI 3202K  
BMX DDI 6402K  
BMX DDO 1602  
BMX DDO 3202K  
BMX DDO 6402K  
BMX DDM 3202K  
1769 - IQ16  
1769 - IQ16F  
1769 - IQ32  
1769 - IQ32T  
1769 - OB16  
1769 - OB16P  
1769 - OB32  
1769 - OB32T  
1756 - IB16I  
1756 - IB16ISOE  
1756 - IB32  
1756 - OB16E  
1756 - OB16I  
1756 - OB16IS  
1756 - OB32  
753-430 (x2)  
753-431 (x2)  
753-530 (x2)  
750-1502  
750-1500  
750-1400  
CJ1W-ID211  
CJ1W-ID231  
CJ1W-ID232  
CJ1W-ID261  
CJ1W-ID262  
CJ1W-IDP01  
CJ1W-INT01  
CJ1W-OD212  
CJ1W-OD232  
CJ1W-OD262  
CJ1W-MD232

---

Connection type (1)

System

---

Subject to changes. Please also observe the further product documentation!

---

WAGO Kontakttechnik GmbH & Co. KG  
Hansastr. 27  
32423 Minden  
Phone: +49571 887-0 | Fax: +49571 887-169  
Email: [info.de@wago.com](mailto:info.de@wago.com) | Web: [www.wago.com](http://www.wago.com)

Do you have any questions about our products?  
We are always happy to take your call at +49 (571) 887-44222.



Pole number 1	20
Pluggable connectors	DIN 41651 male connector
Mating direction	vertical
Connection type 2	Field
Pole number 2	32
Design 2	PCB terminal blocks (double-deck)
WAGO Connector 2	WAGO 736 Series
Solid conductor 2	0.08 ... 2.5 mm <sup>2</sup> / 28 ... 12 AWG
Fine-stranded conductor 2	0.08 ... 2.5 mm <sup>2</sup> / 28 ... 12 AWG
Strip length 2	5 ... 6 mm / 0.2 ... 0.24 inch
Connection type (3)	Supply
Pole number 3	6
Design 3	PCB terminal blocks (double-deck)
WAGO Connector 3	WAGO 736 Series
Solid conductor 3	0.08 ... 2.5 mm <sup>2</sup> / 28 ... 12 AWG
Fine-stranded conductor (3)	0.08 ... 2.5 mm <sup>2</sup> / 28 ... 12 AWG
Strip length 3	5 ... 6 mm / 0.2 ... 0.24 inch
Note (conductor cross-section)	12 AWG: THHN, THWN

### Physical data

Width	85 mm / 3.346 inch
Height from upper-edge of DIN-rail	50 mm / 1.969 inch
Depth	85 mm / 3.346 inch

### Mechanical data

Mounting type	DIN-35 rail
---------------	-------------

### Material data

Fire load	1.7 MJ
Weight	112.3 g

### Environmental requirements

Surrounding air temperature (operation)	-20 ... 50 °C
Surrounding air temperature (storage)	-40 ... 70 °C
Relative humidity	85% (non-condensing)

Subject to changes. Please also observe the further product documentation!

**Commercial data**

Product Group	30 ()
Packaging type	BOX
Country of origin	FR
GTIN	4050821220657
Customs tariff number	85366990990

**Optional accessories****Marking accessories**

•	<b>Item no.: 2009-110</b> Marking strips; for Smart Printer; on reel; not stretchable; plain; snap-on type; white	<a href="http://www.wago.com/2009-110">www.wago.com/2009-110</a>
/	<b>Item no.: 709-177</b> Marking strips; on reel; 7.5 mm wide; not stretchable; plain; snap-on type; translucent	<a href="http://www.wago.com/709-177">www.wago.com/709-177</a>
/	<b>Item no.: 709-178</b> Marking strips; on reel; 7.5 mm wide; not stretchable; plain; snap-on type; white	<a href="http://www.wago.com/709-178">www.wago.com/709-178</a>
/	<b>Item no.: 709-196</b> Marking strips; for laser printer; translucent	<a href="http://www.wago.com/709-196">www.wago.com/709-196</a>
/	<b>Item no.: 709-198</b> Marking strips; white	<a href="http://www.wago.com/709-198">www.wago.com/709-198</a>

**Cables and pluggable connectors**

↻	<b>Item no.: 706-100/1300-200</b> Connection cable; 20-pole; Pluggable connector per DIN 41651; open-ended; Length: 2 m; Conductor cross-section: 0.14 mm <sup>2</sup> ; UR components	<a href="http://www.wago.com/706-100/1300-200">www.wago.com/706-100/1300-200</a>
↻	<b>Item no.: 706-100/1300-400</b> Connection cable; 20-pole; Pluggable connector per DIN 41651; open-ended; Length: 4 m; Conductor cross-section: 0.14 mm <sup>2</sup> ; UR components	<a href="http://www.wago.com/706-100/1300-400">www.wago.com/706-100/1300-400</a>
↻	<b>Item no.: 706-2300/100-100</b> System cable; for Siemens S7-300; 2 x 16 digital inputs; Length: 1 m; Conductor cross-section: 0.34 mm <sup>2</sup>	<a href="http://www.wago.com/706-2300/100-100">www.wago.com/706-2300/100-100</a>
↻	<b>Item no.: 706-2300/100-200</b> System cable; for Siemens S7-300; 2 x 16 digital inputs; Length: 2 m; Conductor cross-section: 0.34 mm <sup>2</sup>	<a href="http://www.wago.com/706-2300/100-200">www.wago.com/706-2300/100-200</a>
↻	<b>Item no.: 706-2300/100-300</b> System cable; for Siemens S7-300; 2 x 16 digital inputs; Length: 3 m; Conductor cross-section: 0.34 mm <sup>2</sup>	<a href="http://www.wago.com/706-2300/100-300">www.wago.com/706-2300/100-300</a>
↻	<b>Item no.: 706-2300/101-100</b> System cable; for Siemens S7-300; 16 digital inputs; Length: 1 m; Conductor cross-section: 0.34 mm <sup>2</sup>	<a href="http://www.wago.com/706-2300/101-100">www.wago.com/706-2300/101-100</a>

Subject to changes. Please also observe the further product documentation!

WAGO Kontakttechnik GmbH & Co. KG  
 Hansastr. 27  
 32423 Minden  
 Phone: +49571 887-0 | Fax: +49571 887-169  
 Email: [info.de@wago.com](mailto:info.de@wago.com) | Web: [www.wago.com](http://www.wago.com)

Do you have any questions about our products?  
 We are always happy to take your call at +49 (571) 887-44222.



	<b>Item no.: 706-2300/101-200</b> System cable; for Siemens S7-300; 16 digital inputs; Length: 2 m; Conductor cross-section: 0.34 mm <sup>2</sup>	<a href="http://www.wago.com/706-2300/101-200">www.wago.com/706-2300/101-200</a>
	<b>Item no.: 706-2300/101-300</b> System cable; for Siemens S7-300; 16 digital inputs; Length: 3 m; Conductor cross-section: 0.34 mm <sup>2</sup>	<a href="http://www.wago.com/706-2300/101-300">www.wago.com/706-2300/101-300</a>
	<b>Item no.: 706-2300/200-100</b> System cable; for Siemens S7-300; 2 x 16 digital outputs; Length: 1 m; Conductor cross-section: 0.14 mm <sup>2</sup>	<a href="http://www.wago.com/706-2300/200-100">www.wago.com/706-2300/200-100</a>
	<b>Item no.: 706-2300/200-200</b> System cable; for Siemens S7-300; 2 x 16 digital outputs; Length: 2 m; Conductor cross-section: 0.14 mm <sup>2</sup>	<a href="http://www.wago.com/706-2300/200-200">www.wago.com/706-2300/200-200</a>
	<b>Item no.: 706-2300/200-300</b> System cable; for Siemens S7-300; 2 x 16 digital outputs; Length: 3 m; Conductor cross-section: 0.14 mm <sup>2</sup>	<a href="http://www.wago.com/706-2300/200-300">www.wago.com/706-2300/200-300</a>
	<b>Item no.: 706-2300/300-100</b> System cable; for Siemens S7-300; 16 digital inputs or outputs; Length: 1 m; Conductor cross-section: 0.14 mm <sup>2</sup>	<a href="http://www.wago.com/706-2300/300-100">www.wago.com/706-2300/300-100</a>
	<b>Item no.: 706-2300/300-200</b> System cable; for Siemens S7-300; 16 digital inputs or outputs; Length: 2 m; Conductor cross-section: 0.14 mm <sup>2</sup>	<a href="http://www.wago.com/706-2300/300-200">www.wago.com/706-2300/300-200</a>
	<b>Item no.: 706-2300/300-300</b> System cable; for Siemens S7-300; 16 digital inputs or outputs; Length: 3 m; Conductor cross-section: 0.14 mm <sup>2</sup>	<a href="http://www.wago.com/706-2300/300-300">www.wago.com/706-2300/300-300</a>
	<b>Item no.: 706-2300/301-100</b> System cable; for Siemens S7-300; 2 x 16 digital inputs or outputs; Length: 1 m; Conductor cross-section: 0.14 mm <sup>2</sup>	<a href="http://www.wago.com/706-2300/301-100">www.wago.com/706-2300/301-100</a>
	<b>Item no.: 706-2300/301-200</b> System cable; for Siemens S7-300; 2 x 16 digital inputs or outputs; Length: 2 m; Conductor cross-section: 0.14 mm <sup>2</sup>	<a href="http://www.wago.com/706-2300/301-200">www.wago.com/706-2300/301-200</a>
	<b>Item no.: 706-2300/301-300</b> System cable; for Siemens S7-300; 2 x 16 digital inputs or outputs; Length: 3 m; Conductor cross-section: 0.14 mm <sup>2</sup>	<a href="http://www.wago.com/706-2300/301-300">www.wago.com/706-2300/301-300</a>
	<b>Item no.: 706-7753/301-200</b> System cable; for WAGO-I/O-SYSTEM, 753 Series; 2 x 16 digital inputs or outputs; Length: 2 m; Conductor cross-section: 0.14 mm <sup>2</sup>	<a href="http://www.wago.com/706-7753/301-200">www.wago.com/706-7753/301-200</a>

## Downloads

## Documentation

## Bid Text

Subject to changes. Please also observe the further product documentation!

WAGO Kontakttechnik GmbH & Co. KG  
Hansastr. 27  
32423 Minden  
Phone: +49571 887-0 | Fax: +49571 887-169  
Email: [info.de@wago.com](mailto:info.de@wago.com) | Web: [www.wago.com](http://www.wago.com)

Do you have any questions about our products?  
We are always happy to take your call at +49 (571) 887-44222.



704-2024 doc - Datei	2015 Nov 20	doc 26.1 kB	Download
-------------------------	-------------	----------------	----------

704-2024 X81 - Datei	2019 Feb 19	xml 3.9 kB	Download
-------------------------	-------------	---------------	----------

#### Additional Information

Disposal; Electrical and electronic equipment, Packaging	V 1.0.0	pdf 265.8 kB	Download
--	---------	-----------------	----------

#### System Description

WAGO System Wiring, Selection Guide This guide will help you select the appropriate interface modules and system cables for the controller you are usng.		pdf 545.9 kB	Download
---	--	-----------------	----------

#### CAD/CAE-Data

##### CAD data

2D/3D Models 704-2024		URL	Download
-----------------------	--	-----	----------

##### CAE data

EPLAN Data Portal 704-2024		URL	Download
----------------------------	--	-----	----------

WSCAD Universe 704-2024		URL	Download
-------------------------	--	-----	----------

ZUKEN Portal 704-2024		URL	Download
-----------------------	--	-----	----------

#### Environmental Product Compliance

##### Compliance Search

Environmental Product Compliance 704-2024 Interface module for system wiring; Pluggable connector per DIN 41651; Male connector; 20-pole; 16-channel digital input or output; 2-wire connection; in mounting carrier		URL	Download
---	--	-----	----------

#### Installation Notes

Subject to changes. Please also observe the further product documentation!

WAGO Kontakttechnik GmbH & Co. KG  
Hansastr. 27  
32423 Minden  
Phone: +49571 887-0 | Fax: +49571 887-169  
Email: [info.de@wago.com](mailto:info.de@wago.com) | Web: [www.wago.com](http://www.wago.com)

Do you have any questions about our products?  
We are always happy to take your call at +49 (571) 887-44222.