

Printview: Snap-on type strain relief housing; consists of strain relief support and housing; 3-pole; suitable for 5 mm pin spacing - Item No.: 232-603

## Snap-on type strain relief housing; consists of strain relief support and housing; 3-pole; suitable for 5 mm pin spacing

Item No.: 232-603



Snap-on type strain relief housing; consists of strain relief support and housing; 3-pole; suitable for 5 mm pin spacing

### Marking

RoHS ✓  
Compliant

### Business data

Supplier	WAGO
Item no.	232-603
EAN	4017332283021
Content	1
Order amount	25
Customer item number	

### Notes

Only for use with cable bindersMax. cable binder width 3.6mm1 x cable outlet, rear

### Technical data

#### Miscellaneous

Color	gray
Fire load [MJ]	0.143 [MJ]
Weight [g]	4.76 [g]
Width [mm]	18 [mm]
Width [in]	0.709 [in]
Height [mm]	17.5 [mm]
Height [in]	0.689 [in]
Length [mm]	41.5 [mm]

Printview: Snap-on type strain relief housing; consists of strain relief support and housing; 3-pole; suitable for 5 mm pin spacing - Item No.: 232-603

### Technical data

Length [in]	1.634 [in]
-------------	------------

### Approbation

Item No.	Registration	Registration no.	Voltage [V]	Current [A]	Cross section [mm <sup>2</sup> , AWG]
232-603	ABS	04-HG469925/1-PDA			
232-603	BV	11915/A0	400	16	2,5
232-603	CCA	5764			
232-603	GL	17296-00HH			
232-603	KEMA	2083746.02			
232-603	LR	96/20035			
232-603	RMR	11130002			
232-603	UL	E45172			
232-603	UL	E45171			

### Accessories

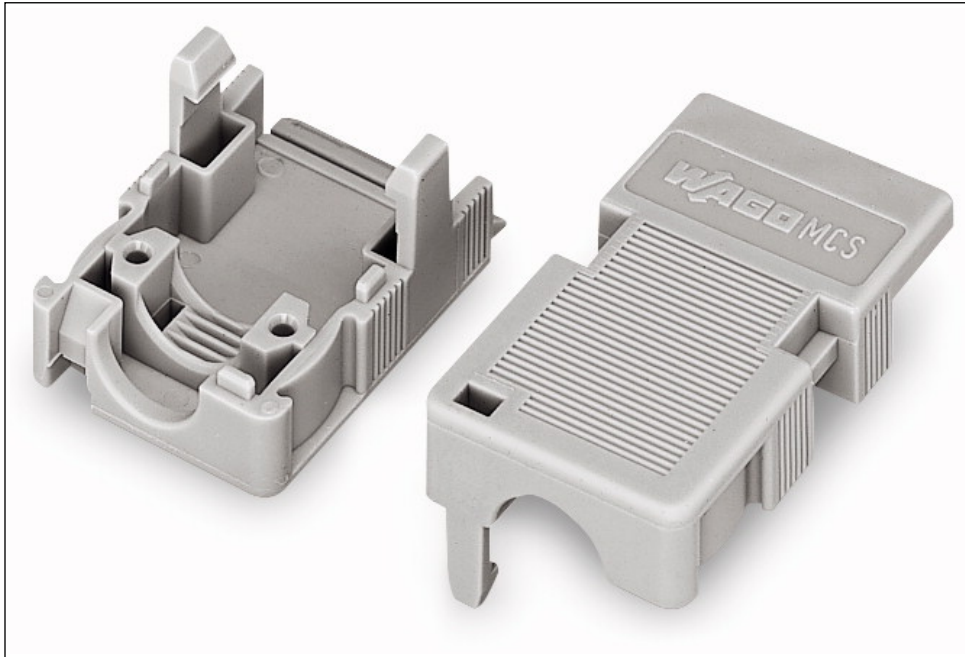
#### General accessory

Item no.	Description	Pack. unit (Sub Pack)
210-720	Operating tool with partially insulated shaft; Type 2, blade (3.5 x 0.5) mm; suitable for 260, 261, 262, 264, 270, 280, 281, 290, 775, 776, 777, 769, 780, 781, 869, 870, 880, 2002, 2003, 2004, 2005 and 2022 Series	1

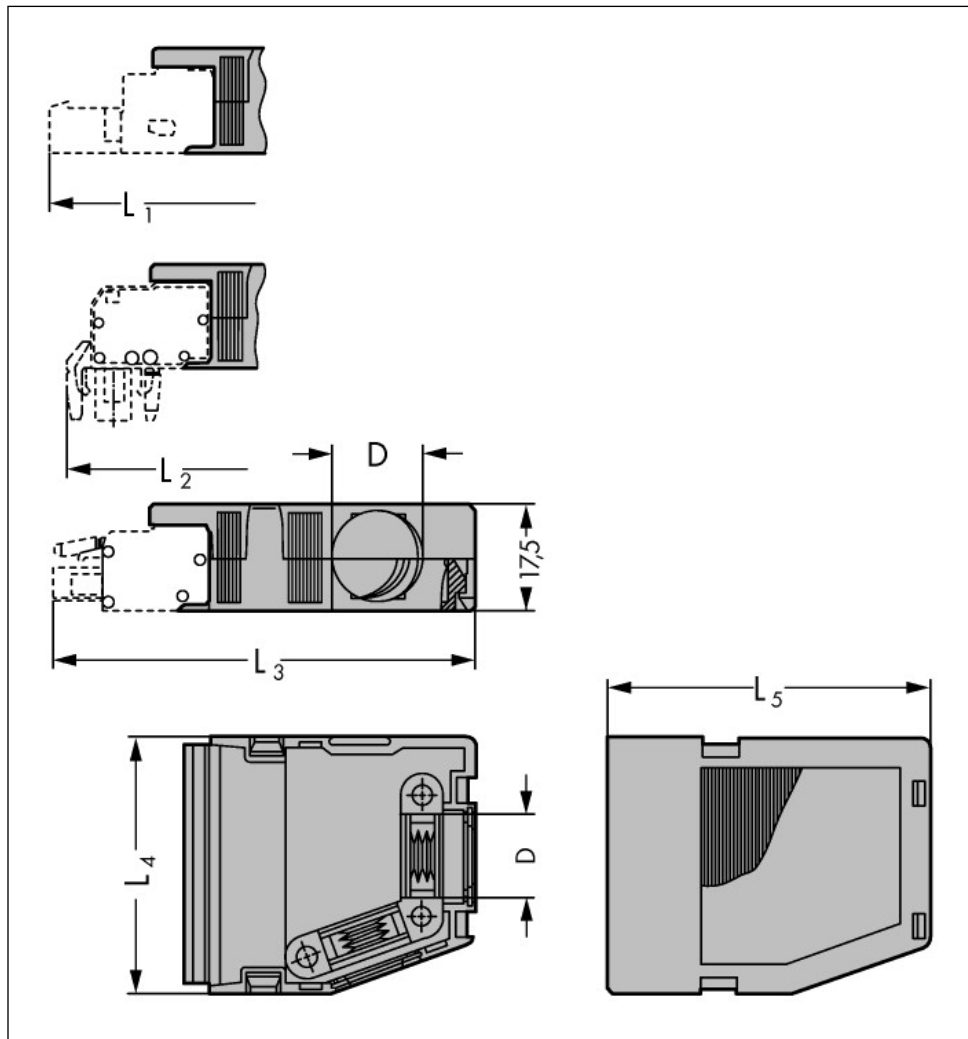
Printview: Snap-on type strain relief housing; consists of strain relief support and housing; 3-pole; suitable for 5 mm pin spacing - Item No.: 232-603

---

### Images & drawings



Printview: Snap-on type strain relief housing; consists of strain relief support and housing; 3-pole; suitable for 5 mm pin spacing - Item No.: 232-603



#### Address

WAGO Kontakttechnik GmbH & Co. KG

Hansastr. 27

32423 Minden

Telefon: 0571/887-0

Fax: 0571/887-169

<http://www.wago.com>

© WAGO Kontakttechnik GmbH & Co. KG

Technische Änderungen und Irrtümer vorbehalten.