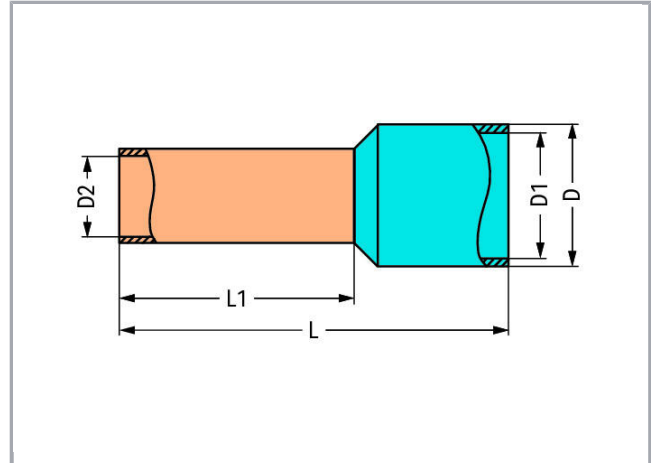


**Data sheet | Item number: 216-262**

Ferrule; Sleeve for 0.75 mm<sup>2</sup> / 18 AWG; insulated; electro-tin plated;  
electrolytic copper; gastight crimped; acc. to DIN 46228, Part 4/09.90; gray



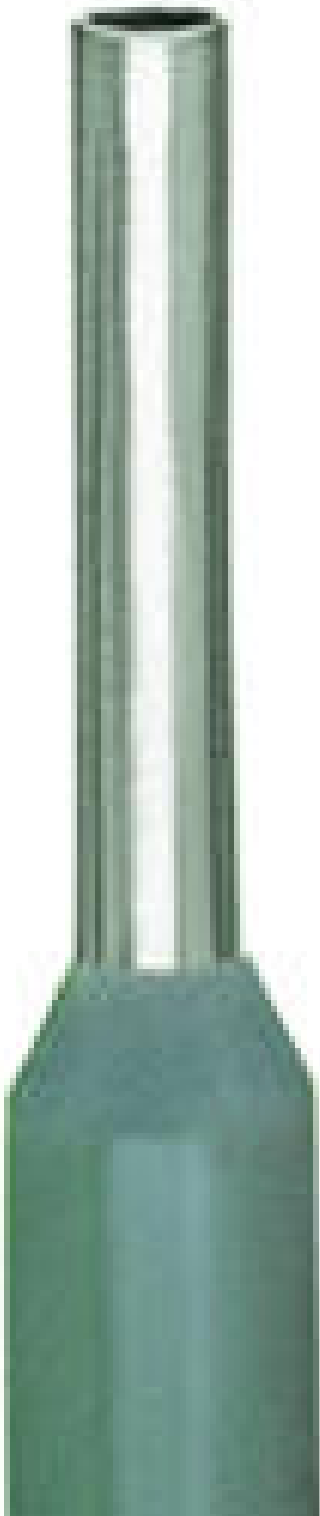
[www.wago.com/216-262](http://www.wago.com/216-262)



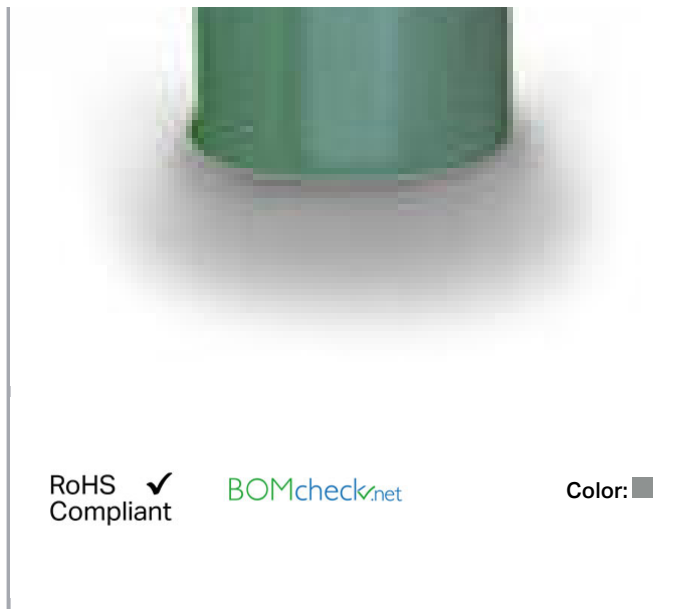
Subject to changes.

WAGO Kontakttechnik GmbH & Co. KG  
Hansastr. 27  
32423 Minden  
Phone: +49571 887-0 | Fax: +49571 887-169  
Email: [info.de@wago.com](mailto:info.de@wago.com) | Web: [www.wago.com](http://www.wago.com)

Do you have any questions about our products?  
We are always happy to take your call at +49 (571) 887-44222.



Subject to changes.



## Data

### Technical Data

Main product function	Ferrule
Querschnitt Hülse AWG	18 AWG
Hülse für	0.75 mm <sup>2</sup>

### Connection data

Strip length	14 mm / 0.55 inch
--------------	-------------------

### Geometrical Data

Length	18 mm
Length 1	12 mm
Diameter	3.3 mm
Diameter 1	2.8 mm
Diameter 2	1.2 mm

### Material Data

Color	gray
Fire load	0.002 MJ
Weight	0.1 g

Subject to changes.

## Commercial data

Product Group	2 (Terminal Block Accessories)
Packaging type	BOX
Country of origin	DE
GTIN	4044918604284
Customs Tariff No.	85369010000

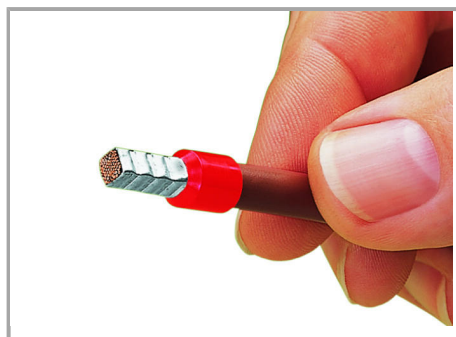
## Downloads

### Documentation

#### Bid Text

216-262 X81 - Datei	Feb 19, 2019	xml 2.9 kB	Download
216-262 doc - Datei	Sep 11, 2017	doc 24.6 kB	Download

## Installation Notes



A perfect gas-tight crimp – both electrically and mechanically reliable

Subject to changes.