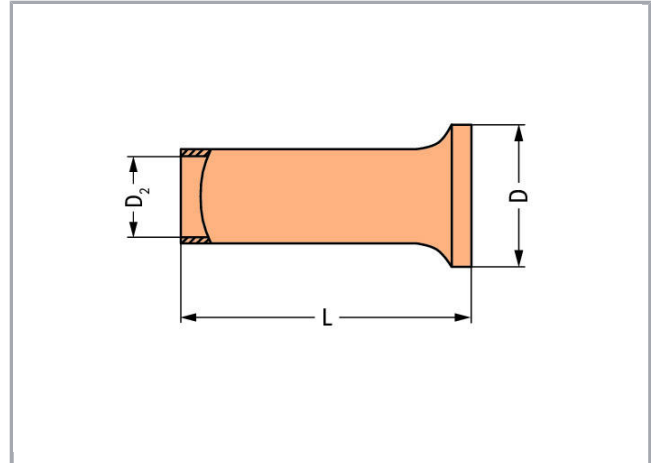


Data sheet | Item number: 216-110

Ferrule; Sleeve for 16 mm² / AWG 6; uninsulated; electro-tin plated

www.wago.com/216-110



Data

Technical Data

Main product function	Ferrule
Querschnitt Hülse AWG	6 AWG
Hülse für	16 mm ²



Connection data

Strip length	15 mm / 0.59 inch
--------------	-------------------

Geometrical Data

Length	15 mm
Diameter	7.5 mm
Diameter 2	5.8 mm

Material Data

Weight	0.5
--------	-----

Commercial data

Product Group	2 (Terminal Block Accessories)
Packaging type	BOX
Country of origin	DE
GTIN	4017332277723
Customs Tariff No.	85369010000

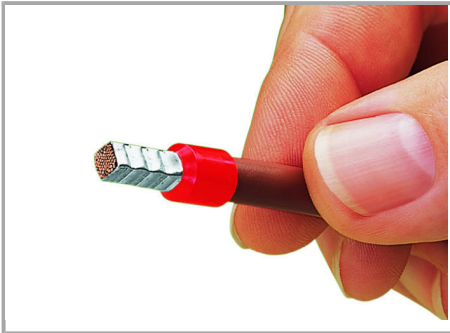
Downloads

Documentation

Bid Text

216-110 doc - Datei	Sep 11, 2017	doc 25.1 kB	Download
216-110 X81 - Datei	Feb 19, 2019	xml 2.8 kB	Download

Installation Notes



A perfect gas-tight crimp – both electrically and mechanically reliable

Subject to changes.