

## Ferrule; sleeve for 1.5 mm<sup>2</sup> / awg 16; uninsulated; electro-tin plated

Item No.: 216-104



Ferrule; sleeve for 1.5 mm<sup>2</sup> / awg 16; uninsulated; electro-tin plated

### Marking

RoHS ✓  
Compliant

### Business data

Supplier	WAGO
Item no.	216-104
GTIN / EAN	4017332277679
Content	1
Order amount	1,000
Customer item number	

### Notes

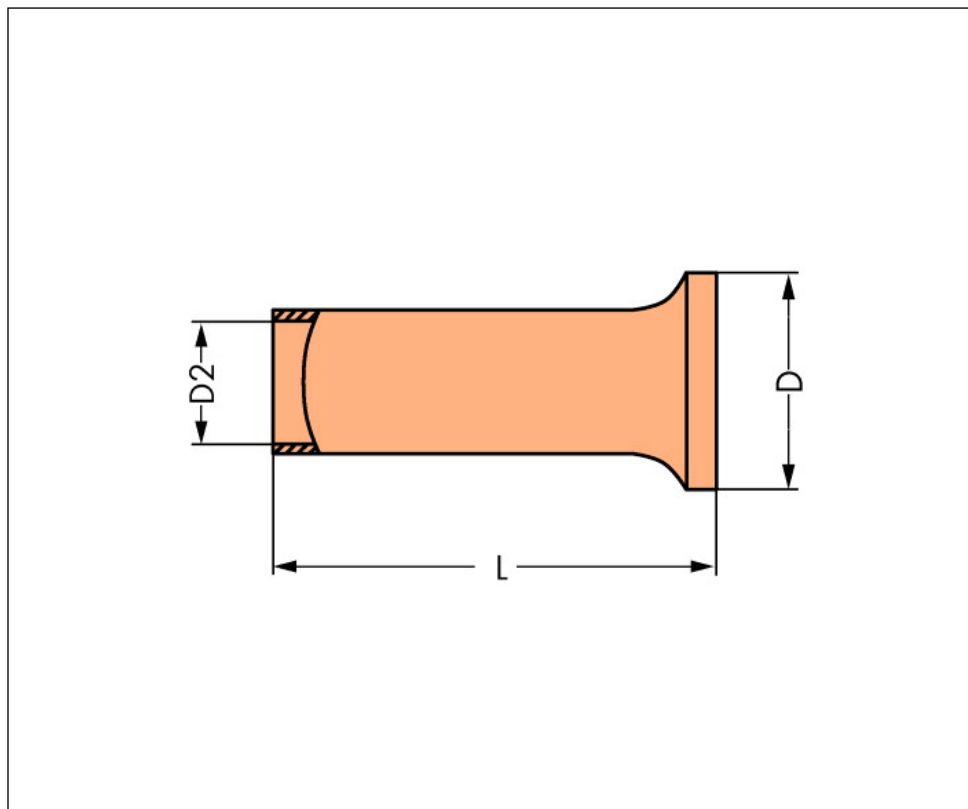
### Technical data

#### Miscellaneous

Stripped length from (1) [mm]	8 [mm]
Stripped length up to (1) [mm]	8 [mm]
Stripped length (1) [in]	0.31 [in]
Weight [g]	0.065 [g]
Diameter [mm]	2.8 [mm]
Diameter 2 [mm]	1.7 [mm]
Length [mm]	8 [mm]

**Images & drawings**





#### Address

WAGO Kontakttechnik GmbH & Co. KG

Hansastr. 27

32423 Minden

Telefon: 0571/887-0

Fax: 0571/887-169

<http://www.wago.com>

© WAGO Kontakttechnik GmbH & Co. KG

Technische Änderungen und Irrtümer vorbehalten.