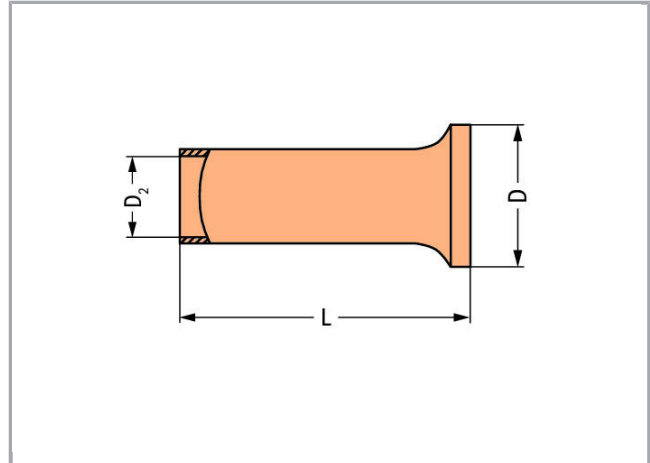


**Data sheet | Item number: 216-103**

Ferrule; Sleeve for 1 mm<sup>2</sup> / AWG 18; uninsulated; electro-tin plated

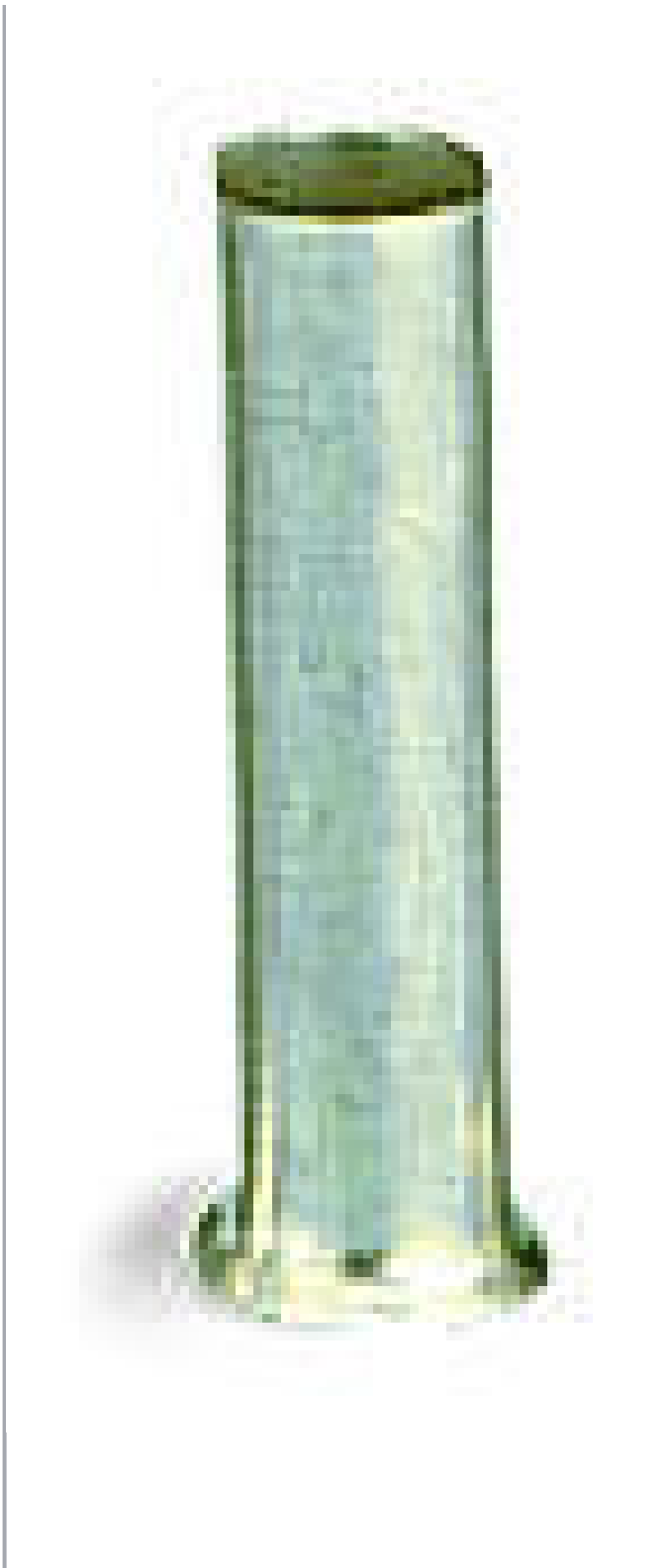
[www.wago.com/216-103](http://www.wago.com/216-103)



Subject to changes. Please also observe the further product documentation!

WAGO Kontakttechnik GmbH & Co. KG  
Hansastr. 27  
32423 Minden  
Phone: +49571 887-0 | Fax: +49571 887-169  
Email: [info.de@wago.com](mailto:info.de@wago.com) | Web: [www.wago.com](http://www.wago.com)

Do you have any questions about our products?  
We are always happy to take your call at +49 (571) 887-44222.



Subject to changes. Please also observe the further product documentation!

WAGO Kontakttechnik GmbH & Co. KG  
Hansastr. 27  
32423 Minden  
Phone: +49571 887-0 | Fax: +49571 887-169  
Email: [info.de@wago.com](mailto:info.de@wago.com) | Web: [www.wago.com](http://www.wago.com)

Do you have any questions about our products?  
We are always happy to take your call at +49 (571) 887-44222.



RoHS   
Compliant

[BOMcheck.net](https://www.bomcheck.net)

## Data

### Technical Data

Main product function	Ferrule
Sleeve cross-section (AWG)	18 AWG
Sleeve for	1 mm <sup>2</sup>

### Connection data

Strip length	8 mm / 0.31 inch
--------------	------------------

### Geometrical Data

Length	8 mm
Length	8 mm
Diameter	2.5 mm
Diameter	2.5 mm
Diameter 2	1.4 mm

### Material Data

Weight	0.1 g
--------	-------

### Commercial data

Product Group	2 (Terminal Block Accessories)
Packaging type	BOX
Country of origin	DE
GTIN	4017332277655
Customs tariff number	85369010000

## Counterpart

## Downloads

### Documentation

Subject to changes. Please also observe the further product documentation!

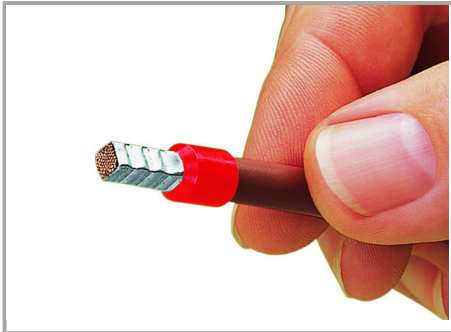
WAGO Kontakttechnik GmbH & Co. KG  
Hansastr. 27  
32423 Minden  
Phone: +49571 887-0 | Fax: +49571 887-169  
Email: [info.de@wago.com](mailto:info.de@wago.com) | Web: [www.wago.com](http://www.wago.com)

Do you have any questions about our products?  
We are always happy to take your call at +49 (571) 887-44222.

**Bid Text**

216-103 GAEB X81 - Datei	Feb 19, 2019	xml 2.8 kB	Download
216-103 doc - Datei	Sep 11, 2017	doc 25.1 kB	Download

**Installation Notes**



A perfect gas-tight crimp – both electrically and mechanically reliable

Subject to changes. Please also observe the further product documentation!