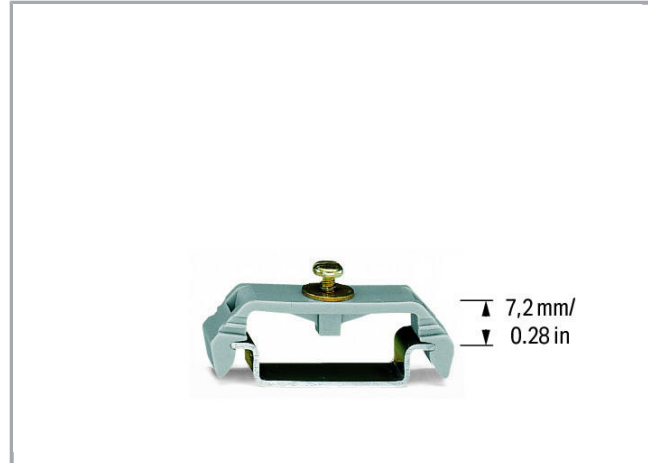
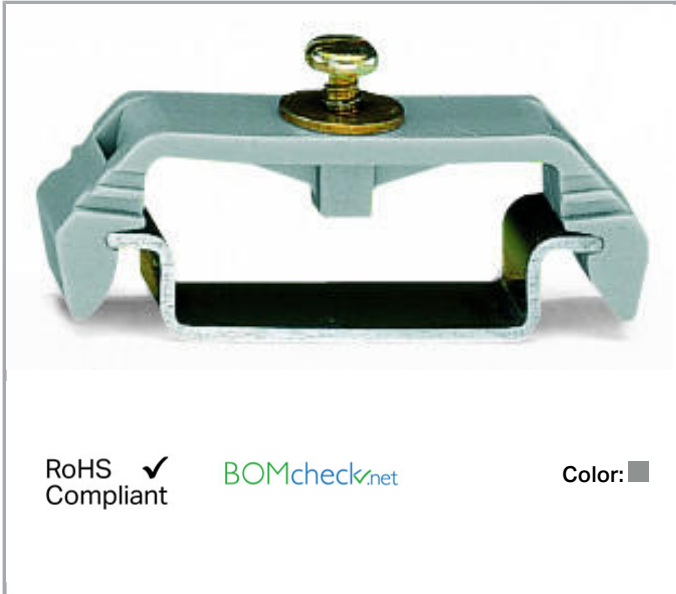


## Data sheet | Item number: 209-106

Mounting carrier; for isolated mounting on DIN 35 rails; gray

[www.wago.com/209-106](http://www.wago.com/209-106)



### Data

#### Technical Data

Main product function	Mounting Accessories
Type of mounting	DIN-35 rail

#### Geometrical Data

Height	7.2 mm / 0.283 inch
Depth	7.2 mm / 0.283 inch

#### Material Data

Color	gray
Weight	3.8g

#### Commercial data

Product Group	2 (Terminal Block Accessories)
Packaging type	BOX
Country of origin	DE

Subject to changes.

WAGO Kontakttechnik GmbH & Co. KG  
Hansastr. 27  
32423 Minden  
Phone: +49571 887-0 | Fax: +49571 887-169  
Email: [info.de@wago.com](mailto:info.de@wago.com) | Web: [www.wago.com](http://www.wago.com)

Do you have any questions about our products?  
We are always happy to take your call at +49 (571) 887-44222.

GTIN	4017332277150
Customs Tariff No.	39269097900

## Downloads Documentation

### Bid Text

209-106 doc - Datei	Aug 31, 2017	doc 24.1 kB	Download
209-106 X81 - Datei	Feb 19, 2019	xml 2.6 kB	Download

## CAD/CAE-Data

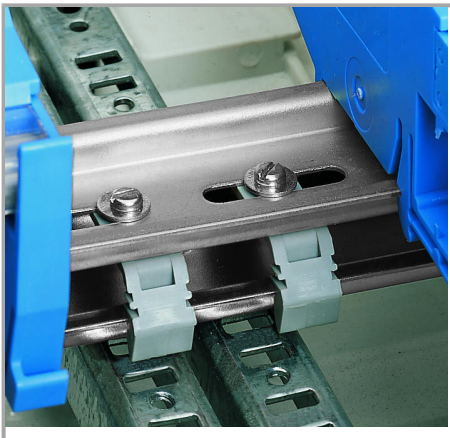
### CAD data

2D/3D Models 209-106	URL	Download
----------------------	-----	----------

### CAE data

WSCAD Universe 209-106	Download
------------------------	----------

## Installation Notes



Isolated mounting of a carrier rail in a distribution box for protection class II

Subject to changes.