

- Cable Ties
- Cable Ties with Fasteners
- Cable Tie Tools
- Clamps and Clips
- Mounts
- Heavy Duty Mounts
- Wiring Duct
 - Solid Wall
 - Slotted Wall**
 - High Density Slotted Wall
- Covers
- Accessories
- Wiring Protection
- Labels, Printers and Software
- Pre - Terminated Networking
- Copper Network Solutions
- Fiber Network Solutions
- Jacks and Wall Plates
- Residential Solutions
- Racks - Cable Management
- Surface Raceway Systems

SL1X4G4

Slotted Wall Duct 1" X 4" NonAdhesive, PVC, Gray, 120' / carton

Article Number: 181 - 14003
 Part Number: SL1X4G4
 Type: SL1X4
 Material: PVC

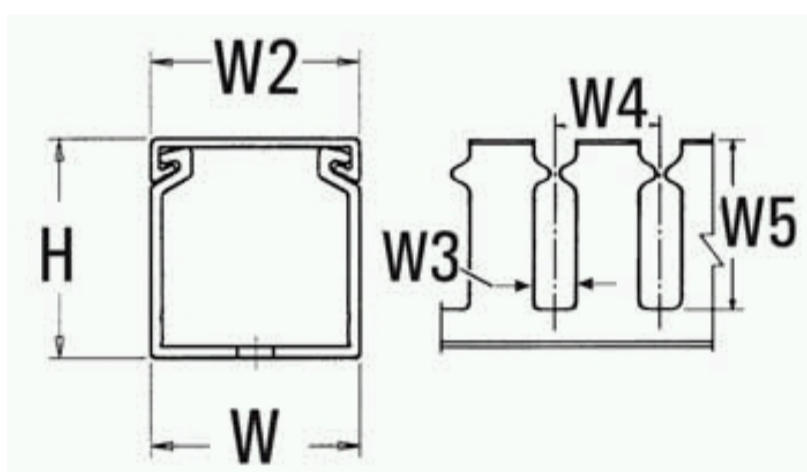


- [Find a Distributor](#)
- [Order Samples](#)
- [Get Technical Drawings](#)

1. Base Data

Part No.	SL1X4G4
Type	SL1X4
Color	Gray
Features	Slotted wall duct features break-away fingers which provide additional access for wire leads. Slotted wall duct is manufactured with two score lines. The first score line is at the base of the finger, allowing the finger to be bent and broken away when a greater opening is required. The second score line is lower allowing a section of the sidewall to be easily removed by cutting the sidewall down to the lower score line. Use HellermannTyton's TDNT notching tool and snap out the desired section. Both score lines provide smooth edges to ensure worker safety. Strong fingers prevent unwanted breaking. The fingers are easily deflected outward, allowing ready positioning of the wires within the slotted wall duct. Restricted opening design in the finger of the duct helps keep wires in place. Restriction also prevents unintended removal of wires and permits any individual wire to be traced without disconnection.

2. Product Dimensions



Length (L)	6 ft / 1.83 m
Width (W)	1.00 " / 25.40 mm
Width (W2)	1.00 " / 25.40 mm
Width (W3)	10.16 mm
Width (W4)	1.00 " / 25.40 mm
Width (W5)	3.6 " / 91.4 mm
Height (H)	4.06 " / 103.12 mm
Mounting Hole Centers	4.00 " / 101.60 mm

4. Material and Specifications

Material	Polyvinylchloride (PVC)
Material Shortcut	PVC
Certification	CSA / UL
CSA Certified	Yes
Flammability	self - extinguishing
Material Specification	RoHS
Operating Temperature	+122 Å°F (+50 Å°C)

Logistic and Packaging

Packaging Type	carton
Pkg. Qty.	120 ft / 36.6 m
Carton Qty.	120
UPC	089306304524

Miscellaneous

UL Recognized (US and Canada)	Yes
Width (W3)	.40 "

[Find a Distributor](#)

[Get Product Samples](#)

[Get Technical Drawings](#)

Customers Who Bought This Item Also Bought

- 

Wiring Duct Cover Width 1.00" PVC, Gray, 120' / Pkg. Qty.
 Part No: **TC1G4**
 Article No: 181 - 91004
- 

Slotted Wall Duct - 2" X 4" Non - Adhesive, PVC, Gray, 120' / carton
 Part No: **SL2X4G4**
 Article No: 181 - 24008
- 

Wiring Duct Cover Width 2.00" PVC, Gray, 120' / Pkg. Qty.
 Part No: **TC2G4**
 Article No: 181 - 92005
- 

Cable Tie, 30lb. 5.9", Max Bun Dia. 1.38" PA66 Natural, 1000/Pk
 Part No: **T30R9M4**
 Article No: 111 - 03047
- 

Wiring Duct Cover Width 1.50" PVC, Gray, 120' / Pkg. Qty.
 Part No: **TC1.5G4**
 Article No: 181 - 91507

This product was found in [Wiring Duct](#) > [Slotted Wall](#)