

- Cable Ties
- Cable Ties with Fasteners
- Cable Tie Tools
- Clamps and Clips
- Mounts
- Heavy Duty Mounts
- Wiring Duct
  - Solid Wall
  - Slotted Wall**
  - High Density Slotted Wall
- Covers
- Accessories
- Wiring Protection
- Labels, Printers and Software
- Pre-Terminated Networking
- Copper Network Solutions
- Fiber Network Solutions
- Jacks and Wall Plates
- Residential Solutions
- Racks - Cable Management
- Surface Raceway Systems

## SL1.5X3BK4

Slotted Wall Duct 1.5" X 3" NonAdhesive, PVC, Black, 120' / carton

Article Number: 181 -00550  
 Part Number: SL1.5X3BK4  
 Type: SL1.5X3  
 Material: PVC

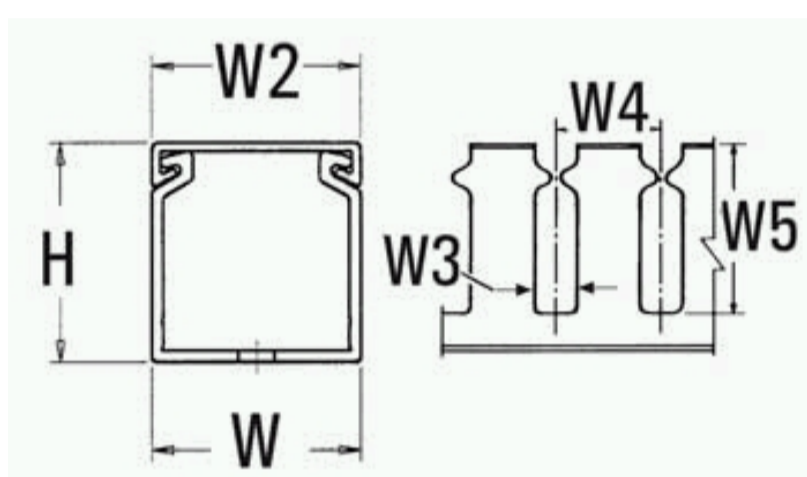


- [Find a Distributor](#)
- [Order Samples](#)
- [Get Technical Drawings](#)

### 1. Base Data

<b>Part No.</b>	SL1.5X3BK4
<b>Type</b>	SL1.5X3
<b>Color</b>	Black (BK)
<b>Features</b>	Slotted wall duct features break-away fingers which provide additional access for wire leads. <b>Slotted wall duct is manufactured with two score lines.</b> The first score line is at the base of the finger, allowing the finger to be bent and broken away when a greater opening is required. The second score line is lower allowing a section of the sidewall to be easily removed by cutting the sidewall down to the lower score line. Use HellermannTyton's TDNT notching tool and snap out the desired section. Both score lines provide smooth edges to ensure worker safety. <b>Strong fingers prevent unwanted breaking.</b> The fingers are easily deflected outward, allowing ready positioning of the wires within the slotted wall duct. <b>Restricted opening design in the finger of the duct helps keep wires in place.</b> Restriction also prevents unintended removal of wires and permits any individual wire to be traced without disconnection.

### 2. Product Dimensions



<b>Length (L)</b>	6 ft / 1.83 m
<b>Width (W)</b>	1.52 " / 38.61 mm
<b>Width (W2)</b>	1.50 " / 38.10 mm
<b>Width (W3)</b>	10.16 mm
<b>Width (W4)</b>	1.00 " / 25.40 mm
<b>Width (W5)</b>	2.60 " / 66.0 mm
<b>Height (H)</b>	3.06 " / 77.72 mm
<b>Mounting Hole Centers</b>	4.00 " / 101.60 mm

### 4. Material and Specifications

<b>Material</b>	Polyvinylchloride (PVC)
<b>Material Shortcut</b>	PVC
<b>Certification</b>	CSA / UL
<b>CSA Certified</b>	Yes
<b>Flammability</b>	self-extinguishing
<b>Material Specification</b>	RoHS
<b>Operating Temperature</b>	+122 Â°F (+50 Â°C)

### Logistic and Packaging

<b>Packaging Type</b>	carton
<b>Pkg. Qty.</b>	120 ft / 36.6 m
<b>Carton Qty.</b>	120
<b>UPC</b>	08930626378

### Miscellaneous

<b>UL Recognized (US and Canada)</b>	Yes
<b>Width (W3)</b>	.40 "

- [Find a Distributor](#)
- [Get Product Samples](#)
- [Get Technical Drawings](#)

### Customers Who Bought This Item Also Bought

- 

Wiring Duct Cover Width 1.50" PVC, Black, 120' / Pkg. Qty.  
 Part No: **TC1.5BK4**  
 Article No: 181 -91503
- 

Slotted Wall Duct - 2" X 3" Non -Adhesive, PVC, Black, 120' / carton  
 Part No: **SL2X3BK4**  
 Article No: 181 -23003
- 

6" Grip Tie - .5" wide - Black  
 Part No: **GT.50X60P2**  
 Article No: 854 -44339
- 

6" Grip Tie - .5" wide - Black  
 Part No: **GT.50X60P2**  
 Article No: 854 -44339

This product was found in [Wiring Duct](#) > [Slotted Wall](#)