



**U.S. TOYO  
FAN CORP.**

## USTF12038 Series AC / Ball Bearing Fans

4941 Walnut Grove Ave., San Gabriel, CA 91776  
(626) 287-5297  
E-mail: sales@ustoyofan.com

FAX (626) 287-5328  
www.ustoyofan.com

### USTF12038 Series

**Size:** 4.69 in sq. x 1.5 in. thk  
(119mm sq. x 38mm thk.)

**Airflow:** 54 - 112 CFM

**Acoustical Noise:** 28 - 41 dB (A)

**MATERIAL:** Frame - Aluminum Alloy, Painted Black Finish  
Bearings - Sealed Ball  
Impeller - UL94V-0 Plastic

**WEIGHT:** 20 oz. (500g)

**TERMINATION:** Terminals standard (Lead Wires on request)

**OPERATION TEMPERATURE:** -10° to +70° C

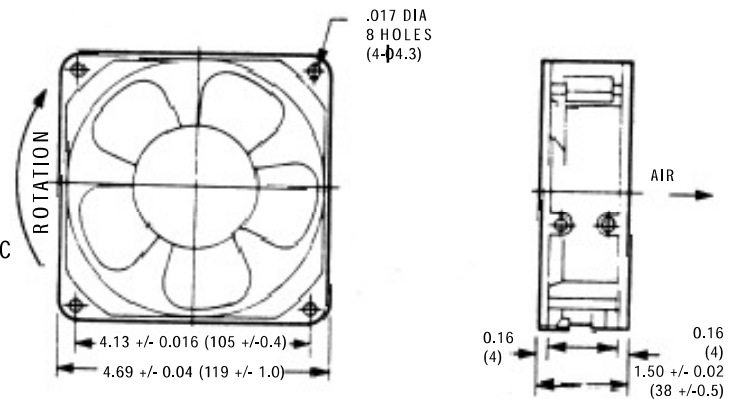
**INSULATION RESISTANCE:** 100,000 Ohms min @ 500 VDC

**DIELECTRIC STRENGTH:** 500 VAC for 1 min.

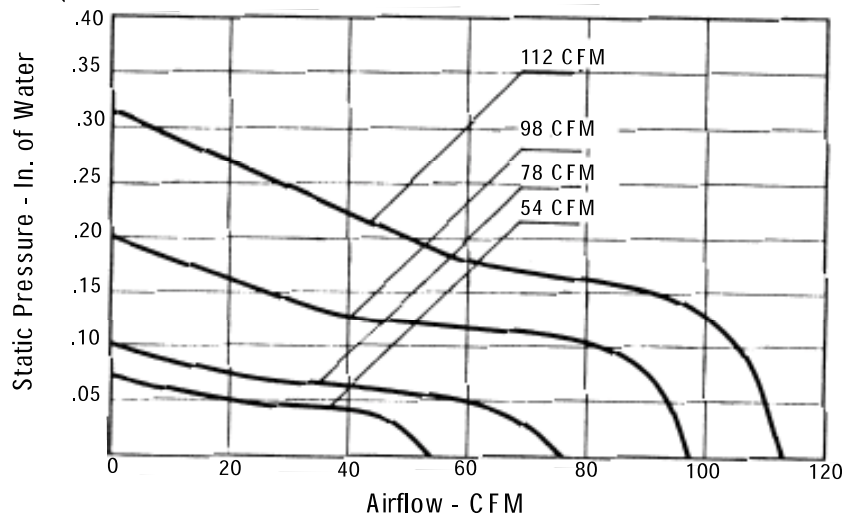
**INSULATION:** Class A

**SAFTEY:** Impedance Protected

**SAFTEY APPROVALS:** UL, CSA, & CE



### PERFORMANCE CURVES: (Obtained with test chamber and methods in accordance with AMCA Std. 210-74)



### SPECIFICATIONS: (Based on 60 Hz Frequency)

PART NUMBER	VOLTS	WATTS	mAMPS	RPM	NOISE dB (A) @ 1M	CFM
USTF120381155T	115	14.0	210	2900	41	112
USTF120381153T	115	10.0	140	2600	37	98
USTF120381152T	115	7.0	100	1950	30	76
USTF120381151T	115	5.5	80	1450	28	54
USTF120382305T	230	14.0	110	2900	41	112
USTF120382303T	230	11.0	80	2600	37	98
USTF120382302T	230	7.5	60	1950	30	76
USTF120382301T	230	6.0	45	1450	28	54

NOTE: Standard models with Terminals. Lead Wires available on request.