



USTF12032 Series

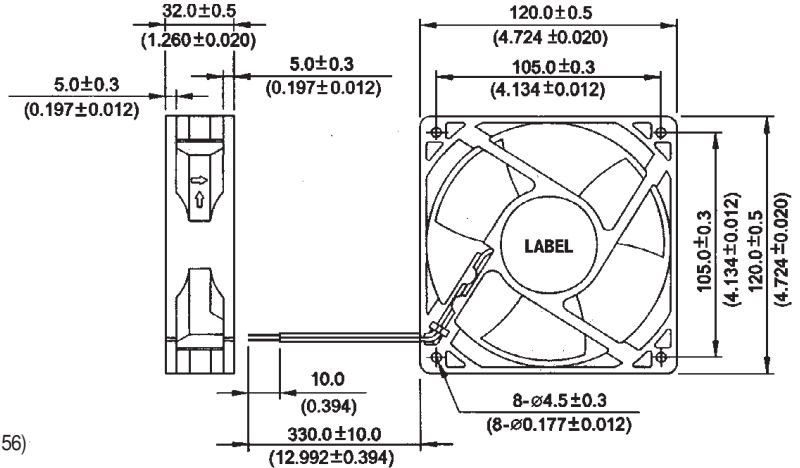
(3 Blade Impeller)

Size: 4.72 in sq. x 1.26 in. thk
(120mm sq. x 32mm thk.)

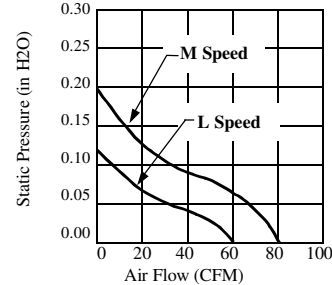
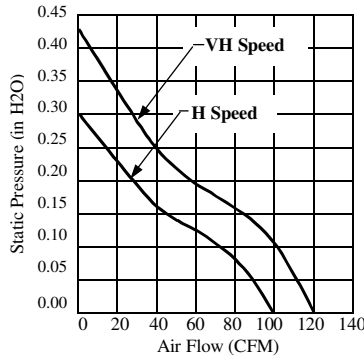
Airflow: 60.0 - 120.1 CFM

Acoustical Noise: 33.5 - 50.5 dB (A)

- MATERIAL:** Frame - Black PBT (UL 94V-0)
Bearings - Ball
Impeller - Black PBT (UL 94V-0)
- WEIGHT:** 8.82 oz. (250g)
- TERMINATION:** Lead Wires (UL 1007, AWG24 or equivalent)
- OPERATION TEMPERATURE:** -10° to +70° C
- INSULATION RESISTANCE:** 10 megohms min @ 500 VDC
- DIELECTRIC STRENGTH:** 500 VAC for 1 min.
- INSULATION:** Class A
- SAFETY:** Impedance & Polarity Protected
- SAFETY APPROVALS:** UL, CSA & CE
- OPERATING VOLTAGE:** 12VDC (6 to 13.8), 24VDC (14 to 27.6), 48VDC (28 to 56)



PERFORMANCE CURVES: (Obtained with test chamber and methods in accordance with AMCA Std. 210-74)



SPECIFICATIONS: (All values are typical)

PART NUMBER	VOLTS	WATTS	AMPS	RPM	NOISE dB (A) @ 1M	CFM
USTF1203212VHW	12VDC	6.12	0.51	3800	50.5	120.1
USTF1203212HW	12VDC	3.84	0.32	3150	45.5	99.9
USTF1203212MW	12VDC	2.40	0.20	2500	40.5	80.2
USTF1203212LW	12VDC	1.56	0.13	1900	33.5	60.0
USTF1203224VHW	24VDC	6.72	0.28	3800	50.5	120.1
USTF1203224HW	24VDC	4.56	0.19	3150	45.5	99.9
USTF1203224MH	24VDC	2.88	0.12	2500	40.5	80.2
USTF1203224LW	24VDC	2.16	0.09	1900	33.5	60.0
USTF1203248VHW	48VDC	6.72	0.14	3800	50.5	120.1
USTF1203248HW	48VDC	4.80	0.10	3150	45.5	99.9
USTF1203248MW	48VDC	3.36	0.07	2500	40.5	80.2
USTF1203248LW	48VDC	1.92	0.04	1900	33.5	60.0

MODELS AVAILABLE ON REQUEST:

Failure Detector - rotation sensing - Add Suffix "SR" to part number
Speed Controller - tach output - Add Suffix "SF" to part number