



**U.S. TOYO  
FAN CORP.**

## USTF8025 Series AC / Ball Bearing Fans

4941 Walnut Grove Ave., San Gabriel, CA 91776  
(626) 287-5297  
E-mail: sales@ustoyofan.com

FAX (626) 287-5328  
www.ustoyofan.com

### USTF8025 Series

**Size:** 3.15 in sq. x 1.0 in. thk  
(80mm sq. x 25mm thk.)

**Airflow:** 20 CFM

**Acoustical Noise:** 33 dB (A)

**MATERIAL:** Frame - Aluminum Alloy, Painted Black Finish  
Bearings - Sealed Ball  
Impeller - UL94V-0 Plastic

**WEIGHT:** 7.7 oz. (220g)

**TERMINATION:** Terminals standard (Lead Wires on request)

**OPERATION TEMPERATURE:** -10° to +70° C

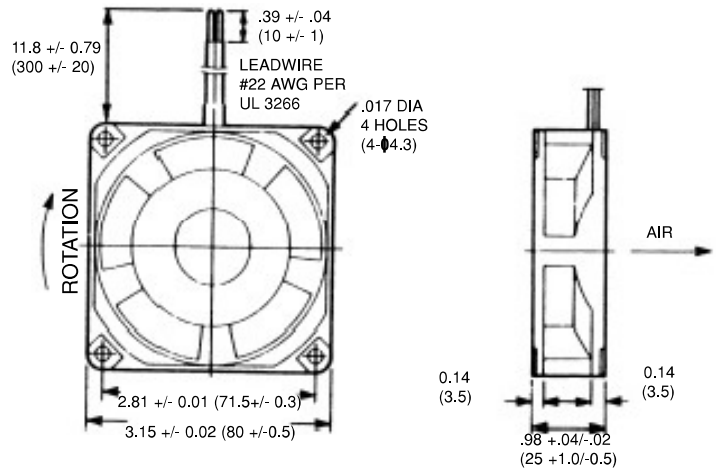
**INSULATION RESISTANCE:** 100,000 Ohms min @ 500 VDC

**DIELECTRIC STRENGTH:** 500 VAC for 1 min.

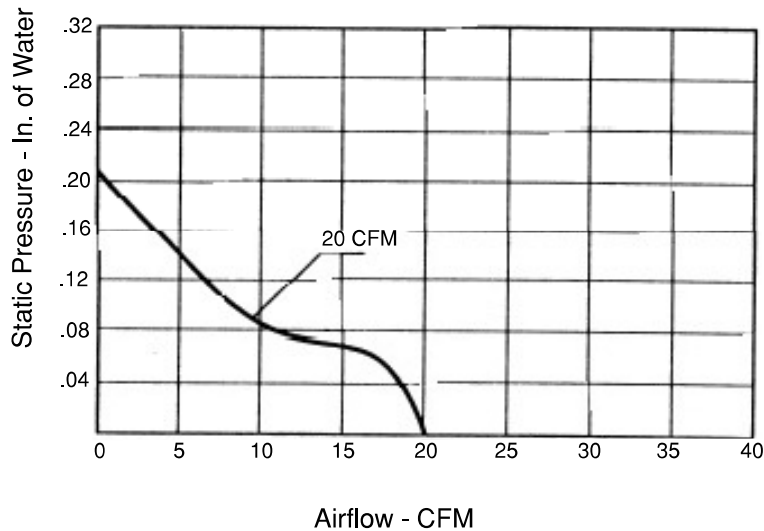
**INSULATION:** Class A

**SAFETY:** Impedance Protected

**SAFETY APPROVALS:** UL, CSA, & CE



**PERFORMANCE CURVES:** (Obtained with test chamber and methods in accordance with AMCA Std. 210-74)



**SPECIFICATIONS:** (Based on 60 Hz Frequency)

PART NUMBER	VOLTS	WATTS	mAMPS	RPM	NOISE dB (A) @ 1M	CFM
USTF80251153W	115	5.0	85	3100	33	20

NOTE: Standard models with Lead Wires. Terminals not available.