



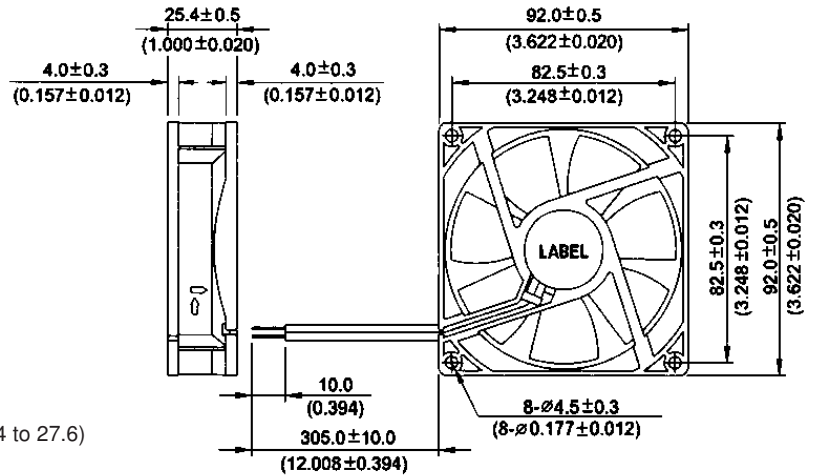
USTF9225 Series

Size: 3.62 in sq. x 1.0 in. thk
(92mm sq. x 25mm thk.)

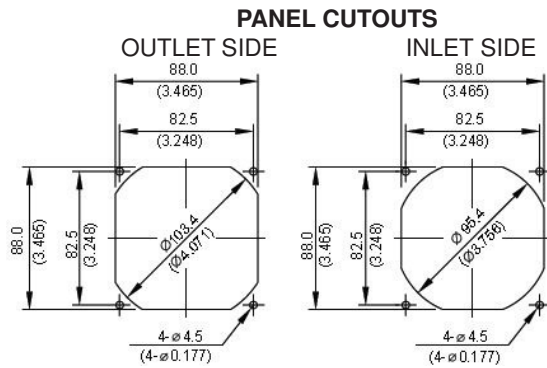
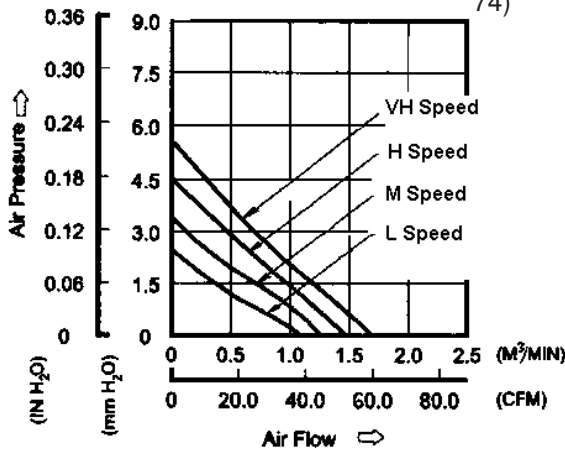
Airflow: 37.1 - 57.9 CFM

Acoustical Noise: 25 - 38 dB (A)

- MATERIAL:** Frame - Black PBT (UL 94V-0)
Bearings - Ball
Impeller - Black PBT (UL 94V-0)
- WEIGHT:** 3.49 oz. (99g)
- TERMINATION:** Lead Wires (UL 1007, AWG24)
- OPERATION TEMPERATURE:** -10° to +70° C
- INSULATION RESISTANCE:** 10 megohms min @ 500 VDC
- DIELECTRIC STRENGTH:** 500 VAC for 1 min.
- INSULATION:** Class A
- SAFETY:** Impedance & Polarity Protected
- SAFETY APPROVALS:** UL, CSA & CE
- OPERATING VOLTAGE:** 12 VDC (7 to 13.8) - 24 VDC (14 to 27.6)



PERFORMANCE CURVES: (Obtained with test chamber and methods in accordance with AMCA Std. 210-74)



SPECIFICATIONS: (All values are typical)

*Amps values shown are typical running. Fan labels show higher max values

PART NUMBER	VOLTS	WATTS	AMPS*	RPM	NOISE dB (A) @ 1M	CFM
USTF922512VHW	12VDC	3.00	0.25	3200	38.0	57.9
USTF922512HW	12VDC	1.92	0.16	2850	34.0	51.2
USTF922512MW	12VDC	1.32	0.11	2450	30.0	43.8
USTF922512LW	12VDC	0.84	0.07	2100	25.0	37.1
USTF922524VHW	24VDC	3.12	0.13	3200	38.0	57.9
USTF922524HW	24VDC	2.40	0.10	2850	34.0	51.2
USTF922524MW	24VDC	1.92	0.08	2450	30.0	43.8
USTF922524LW	24VDC	1.44	0.06	2100	25.0	37.1

MODELS AVAILABLE ON REQUEST:

Failure Detector - rotation sensing - Add Suffix "SR" to part number
Speed Controller - tach output - Add Suffix "SF" to part number